



Chipsmall Limited consists of a professional team with an average of over 10 year of expertise in the distribution of electronic components. Based in Hongkong, we have already established firm and mutual-benefit business relationships with customers from,Europe,America and south Asia,supplying obsolete and hard-to-find components to meet their specific needs.

With the principle of “Quality Parts,Customers Priority,Honest Operation,and Considerate Service”,our business mainly focus on the distribution of electronic components. Line cards we deal with include Microchip,ALPS,ROHM,Xilinx,Pulse,ON,Everlight and Freescale. Main products comprise IC,Modules,Potentiometer,IC Socket,Relay,Connector.Our parts cover such applications as commercial,industrial, and automotives areas.

We are looking forward to setting up business relationship with you and hope to provide you with the best service and solution. Let us make a better world for our industry!



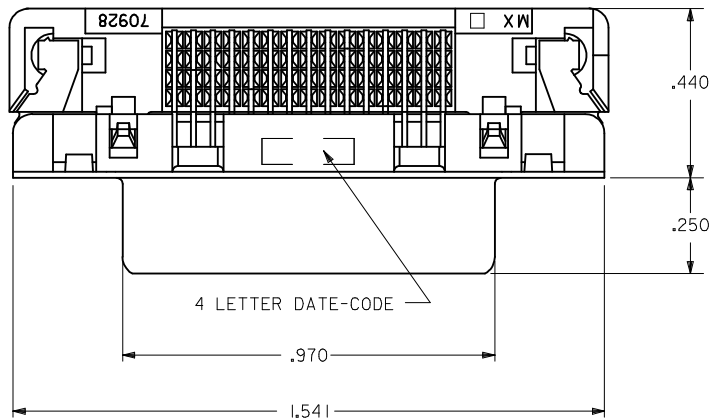
## Contact us

Tel: +86-755-8981 8866 Fax: +86-755-8427 6832

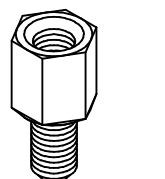
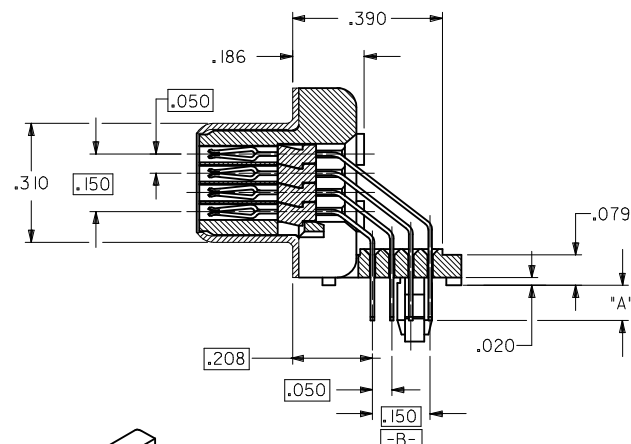
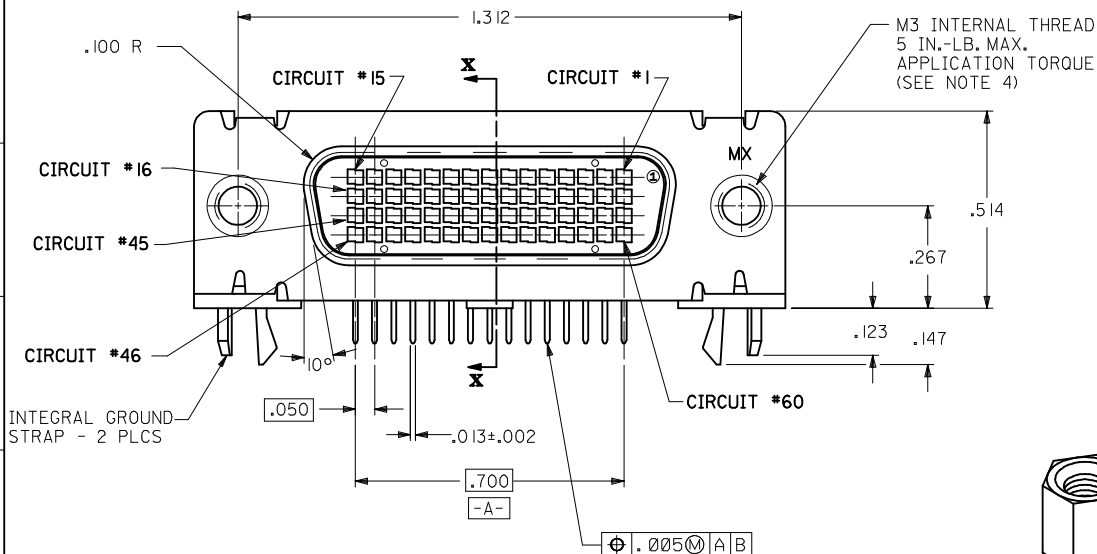
Email & Skype: info@chipsmall.com Web: www.chipsmall.com

Address: A1208, Overseas Decoration Building, #122 Zhenhua RD., Futian, Shenzhen, China

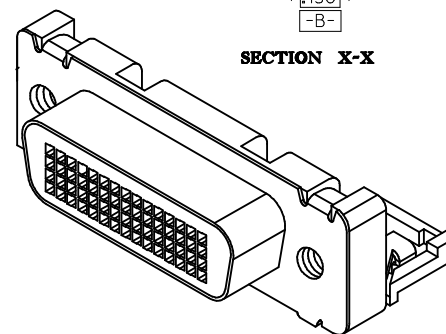




ITEM NUMBER	DIMENSION "A"	PLATING (SEE NOTE 2)	HEXAGONAL SCREWLOCKS PACKAGED WITH CONNECTORS	SCREWLOCK ITEM NUMBER (SEE SD-70982-****)	PACKAGING PER PACKAGING SPECIFICATION
70928-2000	.079±.010	30 GOLD	NO	_____	PK-70873-0291
70928-2001	.092±.010	30 GOLD	NO	_____	PK-70873-0291
70928-2002	.104±.010	30 GOLD	NO	_____	PK-70873-0291
70928-2003	.079±.010	30 GOLD	YES	70982-1003; 4-40 INTERNAL THD	PK-70873-0686
70928-2005	.079±.010	30 GOLD	YES	70982-1004; M-3 INTERNAL THD	PK-70873-0686
70928-2007	.125±.010	30 GOLD	NO	_____	PK-70873-0291
70928-2008	.092±.010	30 GOLD	YES	70982-1003; 4-40 INTERNAL THD	PK-70873-0686
70928-2009	.092±.010	GOLD FLASH	NO	_____	PK-70873-0291
70928-2010	.092±.010	GOLD FLASH	YES	70982-1003; 4-40 INTERNAL THD	PK-70873-0686



OPTIONAL HEXAGONAL SCREWLOCK

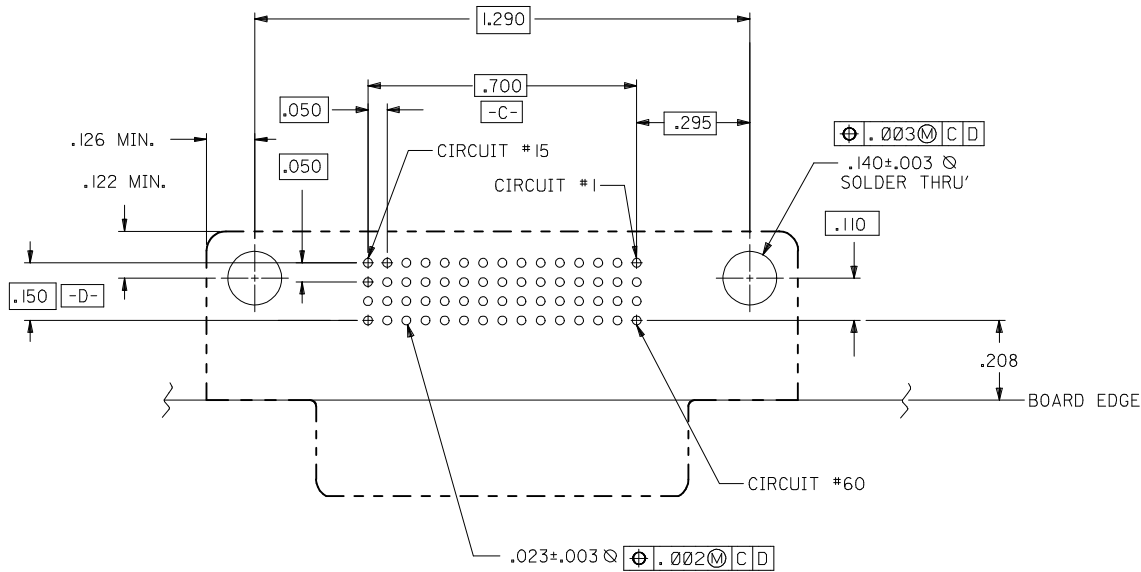


SECTION X-X

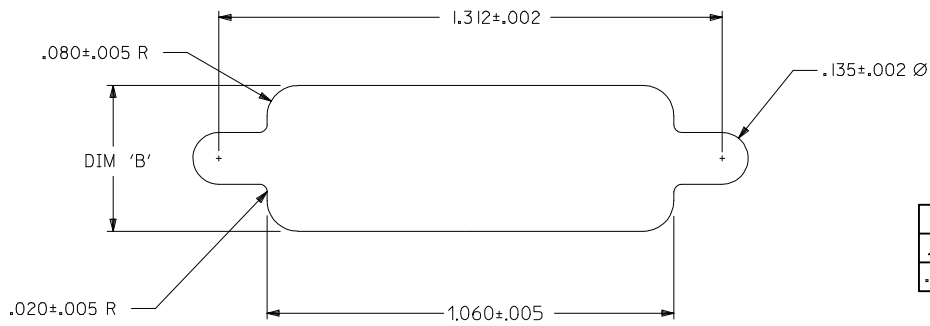
NOTES:

- MATERIALS:  
HOUSING AND MOLDED STICK: GLASS FILLED POLYMER, 94V-0, COLOR BLACK.  
TERMINALS: COPPER ALLOY .010±.0005 THICK.  
OUTER SHELL: DEEP DRAWN STEEL, .016(0.40) THICK.  
HEXAGONAL SCREWLOCK: STEEL.
- PLATING:  
TERMINALS (SEE CHART TO DETERMINE WHICH PART NUMBER HAS WHICH PLATING):  
30 GOLD -- 30 MICRONS(0.76 MICROMETERS) MINIMUM SELECTIVE GOLD (Au) IN THE CONTACT AREA;  
100 MICRONS(2.54 MICROMETERS) MINIMUM SELECTIVE TIN (Sn) IN PC TAIL AREA;  
OVER NICKEL (Ni) UNDERPLATE OVERALL.  
GOLD FLASH -- SELECTIVE GOLD (Au) FLASH IN THE CONTACT AREA;  
100 MICRONS(2.54 MICROMETERS) MINIMUM SELECTIVE TIN (Sn) IN PC TAIL AREA;  
OVER NICKEL (Ni) UNDERPLATE OVERALL.  
OUTERSHELL: 150 MICRONS(3.81 MICROMETERS) MINIMUM TIN (Sn) OVER 50 MICRONS(1.27 MICROMETERS) MINIMUM NICKEL (Ni) OVERALL.
- CONFORMS TO PRODUCT SPECIFICATION PS-70928.
- THREAD GAGE MAY REQUIRE UP TO 1 IN.-LB. OF TORQUE DURING GAGING PROCESS.
- PART COMPLIES WITH CLASS B OF COSMETIC SPECIFICATION PS-45499-002

MOD PANEL CUT-OUT EC NO: UCP2012-0335 DRAWING MORGAN 2011/08/12 CHKD: MPOFF 2014/04/11 APPR: SMILLER 2014/05/17	QUALITY SYMBOLS ▽=0 ▽=0 ▽=0	GENERAL TOLERANCES (UNLESS SPECIFIED)	DIMENSION STYLE INCH ONLY	SCALE 4:1	DESIGN UNITS INCH	THIRD ANGLE PROJECTION
		mm INCH	DRAWN BY MOS	DATE 1993/02/08	TITLE .050" PITCH LFH 60 CKT RIGHT ANGLE I/O RECEPTACLE	
		4 PLACES ± --- ± ---	CHECKED BY CAB	DATE 1993/02/08		
		3 PLACES ± --- ± .010	APPROVED BY CAB	DATE 1993/02/08		
		2 PLACES ± 0.25 ± .015				
		1 PLACE ± 0.38 ± ---				
		0 PLACE ± --- ± ---				
		ANGULAR ±1/2°	MATERIAL NO. SEE TABLE	DOCUMENT NO. SDA-70928-20**	SHEET NO. 1 OF 2	
		DRAFT WHERE APPLICABLE MUST REMAIN WITHIN DIMENSIONS	THIS DRAWING CONTAINS INFORMATION THAT IS PROPRIETARY TO MOLEX. INCORPORATED AND SHOULD NOT BE USED WITHOUT WRITTEN PERMISSION			



COMPONENT SIDE  
RECOMMENDED P.C.B. LAYOUT



RECOMMENDED PANEL CUT-OUT

DIM. 'B'	PANEL THICKNESS
.400±.005	.039
.420±.005	.064

<b>SEE SHEET 1</b> EC NO: UCP2012-0335 DRW:DMORGAN 2011/08/12 CHKD:MPOFF 2014/04/11 APPR:SMILLER 2014/05/12	QUALITY SYMBOLS ▽=0 ▽=0 ▽=0	GENERAL TOLERANCES (UNLESS SPECIFIED) <table border="1"> <thead> <tr> <th></th> <th>mm</th> <th>INCH</th> </tr> </thead> <tbody> <tr> <td>4 PLACES</td> <td>±.010</td> <td>±.0004</td> </tr> <tr> <td>3 PLACES</td> <td>±.015</td> <td>±.0006</td> </tr> <tr> <td>2 PLACES</td> <td>±.025</td> <td>±.0010</td> </tr> <tr> <td>1 PLACE</td> <td>±.038</td> <td>±.0015</td> </tr> <tr> <td>0 PLACE</td> <td>±.050</td> <td>±.0020</td> </tr> </tbody> </table>		mm	INCH	4 PLACES	±.010	±.0004	3 PLACES	±.015	±.0006	2 PLACES	±.025	±.0010	1 PLACE	±.038	±.0015	0 PLACE	±.050	±.0020	DIMENSION STYLE <b>INCH ONLY</b> DRAWN BY: MOS DATE: 1993/02/08 CHECKED BY: CAB DATE: 1993/02/08 APPROVED BY: CAB DATE: 1993/02/08	SCALE: 4:1 DESIGN UNITS: INCH THIRD ANGLE PROJECTION	TITLE: <b>.050" PITCH LFH 60 CKT          RIGHT ANGLE I/O          RECEPTACLE</b> <b>molex</b>
		mm	INCH																				
	4 PLACES	±.010	±.0004																				
	3 PLACES	±.015	±.0006																				
2 PLACES	±.025	±.0010																					
1 PLACE	±.038	±.0015																					
0 PLACE	±.050	±.0020																					
	DRAFT WHERE APPLICABLE MUST REMAIN WITHIN DIMENSIONS	MATERIAL NO.: <b>SEE TABLE</b>	DOCUMENT NO.: <b>SDA-70928-20**</b>	SHEET NO.: <b>2 OF 2</b>																			
		ANGLAR ±1/2°	SIZE: C THIS DRAWING CONTAINS INFORMATION THAT IS PROPRIETARY TO MOLEX INCORPORATED AND SHOULD NOT BE USED WITHOUT WRITTEN PERMISSION																				