



Chipsmall Limited consists of a professional team with an average of over 10 year of expertise in the distribution of electronic components. Based in Hongkong, we have already established firm and mutual-benefit business relationships with customers from,Europe,America and south Asia,supplying obsolete and hard-to-find components to meet their specific needs.

With the principle of “Quality Parts,Customers Priority,Honest Operation,and Considerate Service”,our business mainly focus on the distribution of electronic components. Line cards we deal with include Microchip,ALPS,ROHM,Xilinx,Pulse,ON,Everlight and Freescale. Main products comprise IC,Modules,Potentiometer,IC Socket,Relay,Connector.Our parts cover such applications as commercial,industrial, and automotives areas.

We are looking forward to setting up business relationship with you and hope to provide you with the best service and solution. Let us make a better world for our industry!



## Contact us

Tel: +86-755-8981 8866 Fax: +86-755-8427 6832

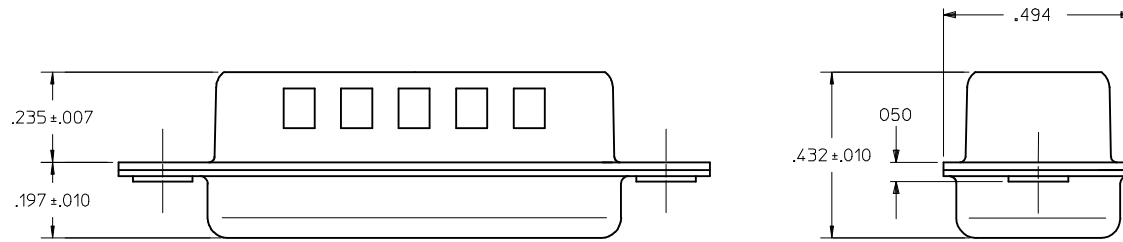
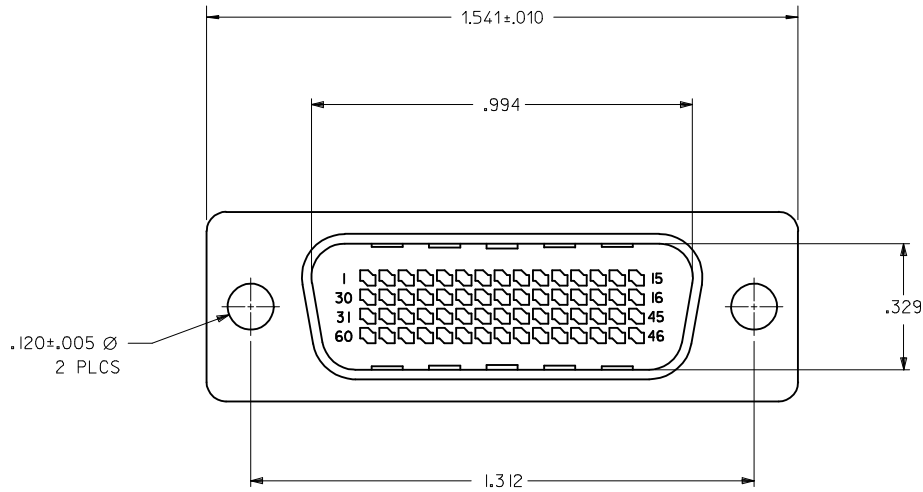
Email & Skype: info@chipsmall.com Web: www.chipsmall.com

Address: A1208, Overseas Decoration Building, #122 Zhenhua RD., Futian, Shenzhen, China



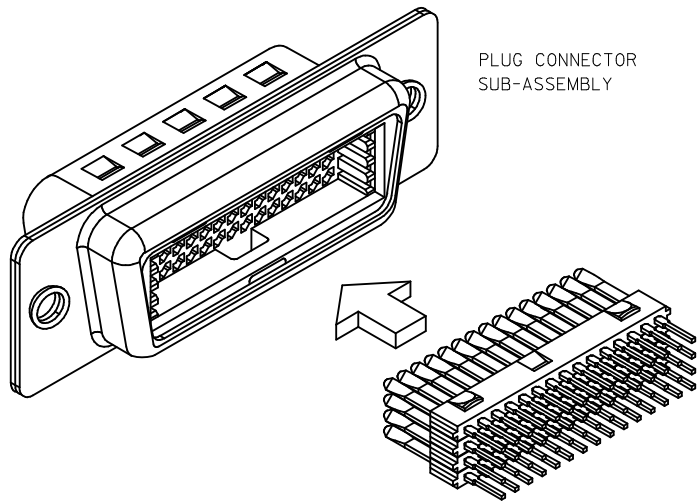
**NOTES:**

- 1) PLASTIC HOUSING:  
GLASS FILLED LCP (LIQUID CRYSTAL POLYMER), UL 94 V-0, COLOR: BLACK.
- 2) FRONT SHELL:  
DEEP DRAWN STEEL, .020" THICK;  
PLATING: SEE TABLE  
BRIGHT TIN: 150-250 MICROINCHES BRIGHT TIN OVER  
50-150 MICROINCHES NICKEL OVER COPPER FLASH  
OVERALL (OPTIONAL).  
BRIGHT NICKEL: 100-175 MICROINCHES BRIGHT NICKEL OVER  
50 MICROINCHES MAXIMUM COPPER OVERALL.
- 3) BACK SHELL:  
DEEP DRAWN STEEL, .016" THICK;  
PLATING: 150-250 MICROINCHES BRIGHT TIN OVER 50-150 MICROINCHES NICKEL  
OVER COPPER FLASH OVERALL (OPTIONAL).
- 4) THIS CONNECTOR CONFORMS TO PRODUCT SPECIFICATION PS-70928.
- 5) PACKAGING SPECIFICATION PK-70873-0236 APPLIES.
- 6) SEE APPLICATION SPECIFICATION PS-70929 FOR ASSEMBLY AND TERMINATION DETAILS.
- 7) INSERT-MOLDED TERMINAL STRIP ASSEMBLIES ARE SUPPLIED  
SEPARATELY (SEE SHEET 2 FOR ORDERING INFORMATION).



PART NO.	PRODUCT DESCRIPTION	FRONT SHELL PLATING
70929-2000	60 CKT. I/O PLUG CONNECTOR SUB-ASSEMBLY	BRIGHT TIN
70929-2009	60 CKT. I/O PLUG CONNECTOR SUB-ASSEMBLY	BRIGHT NICKEL

<b>ADD TOLERANCES</b> EC NO: UCP2014-2167 DRWR:WHIPPLE 2013/11/18 CHKD:DMORGAN 2013/11/18 APPR:SMILLER 2013/12/16	QUALITY SYMBOLS	GENERAL TOLERANCES (UNLESS SPECIFIED)	DIMENSION STYLE	SCALE	DESIGN UNITS	THIRD ANGLE PROJECTION
	▽=0	mm INCH	INCH ONLY	4:1	INCH	
	▽=0	4 PLACES ± --- ± ---	DRAWN BY	MOS		SALES ASSEMBLY LFH 60CKT I/O PLUG FOR CABLE ASSEMBLIES <b>molex</b>
	▽=0	3 PLACES ± --- ± .005	DATE	1993/05/11		
	▽=0	2 PLACES ± --- ± .01	CHECKED BY	0'SULLIVAN	DATE	
	1 PLACE ± --- ± ---	APPROVED BY	SMILLER	DATE	2011/07/12	
	0 PLACE ± ±	MATERIAL NO.		DOCUMENT NO.	SDA-70929-20**	
REV	DESCRIPTION	ANGULAR ±1/2°	DRAFT WHERE APPLICABLE MUST REMAIN WITHIN DIMENSIONS	SIZE	SEE CHART	SHEET NO. 1 OF 2
J				C	THIS DRAWING CONTAINS INFORMATION THAT IS PROPRIETARY TO MOLEX INCORPORATED AND SHOULD NOT BE USED WITHOUT WRITTEN PERMISSION	



PLUG CONNECTOR  
SUB-ASSEMBLY

INSERT MOLDED TERMINAL STICKS  
SUPPLIED SEPARATELY  
SEE SALES DRAWING: SDA-70984-100\*  
NOTE: STICKS SHOWN WITH CARRIER REMOVED

<b>SEE SHEET 1</b> EC NO: UCP2014-2167 DRWN:RWHIPPLE 2013/11/18 CHKD:DMORGAN 2013/11/18 APPR:SMILLER 2013/12/16	QUALITY SYMBOLS 	GENERAL TOLERANCES (UNLESS SPECIFIED)		DIMENSION STYLE <b>INCH ONLY</b>		SCALE <b>4:1</b>	DESIGN UNITS <b>INCH</b>	THIRD ANGLE PROJECTION																													
		<table border="1"> <thead> <tr> <th></th> <th>mm</th> <th>INCH</th> </tr> </thead> <tbody> <tr> <td>4 PLACES</td> <td>± .005</td> <td>± .0005</td> </tr> <tr> <td>3 PLACES</td> <td>± .005</td> <td>± .0005</td> </tr> <tr> <td>2 PLACES</td> <td>± .005</td> <td>± .0005</td> </tr> <tr> <td>1 PLACE</td> <td>± .005</td> <td>± .0005</td> </tr> <tr> <td>0 PLACE</td> <td>± .005</td> <td>± .0005</td> </tr> </tbody> </table>		mm	INCH	4 PLACES	± .005	± .0005	3 PLACES	± .005	± .0005	2 PLACES	± .005	± .0005	1 PLACE	± .005	± .0005	0 PLACE	± .005	± .0005	<table border="1"> <thead> <tr> <th>DRAWN BY</th> <th>DATE</th> </tr> </thead> <tbody> <tr> <td>MOS</td> <td>1993/05/11</td> </tr> <tr> <th>CHECKED BY</th> <th>DATE</th> </tr> <tr> <td>O'SULLIVAN</td> <td>1993/05/11</td> </tr> <tr> <th>APPROVED BY</th> <th>DATE</th> </tr> <tr> <td>SMILLER</td> <td>2011/07/12</td> </tr> </tbody> </table>	DRAWN BY	DATE	MOS	1993/05/11	CHECKED BY	DATE	O'SULLIVAN	1993/05/11	APPROVED BY	DATE	SMILLER	2011/07/12	TITLE <b>SALES ASSEMBLY LFH 60CKT I/O PLUG FOR CABLE ASSEMBLIES</b>			
		mm	INCH																																		
	4 PLACES	± .005	± .0005																																		
3 PLACES	± .005	± .0005																																			
2 PLACES	± .005	± .0005																																			
1 PLACE	± .005	± .0005																																			
0 PLACE	± .005	± .0005																																			
DRAWN BY	DATE																																				
MOS	1993/05/11																																				
CHECKED BY	DATE																																				
O'SULLIVAN	1993/05/11																																				
APPROVED BY	DATE																																				
SMILLER	2011/07/12																																				
	ANGULAR ±1/2° DRAFT WHERE APPLICABLE MUST REMAIN WITHIN DIMENSIONS	MATERIAL NO. <b>SEE SHHET 1</b>		DOCUMENT NO. <b>SDA-70929-20**</b>	SHEET NO. <b>2 OF 2</b>																																
THIS DRAWING CONTAINS INFORMATION THAT IS PROPRIETARY TO MOLEX. INCORPORATED AND SHOULD NOT BE USED WITHOUT WRITTEN PERMISSION																																					