



Chipsmall Limited consists of a professional team with an average of over 10 year of expertise in the distribution of electronic components. Based in Hongkong, we have already established firm and mutual-benefit business relationships with customers from,Europe,America and south Asia,supplying obsolete and hard-to-find components to meet their specific needs.

With the principle of “Quality Parts,Customers Priority,Honest Operation,and Considerate Service”,our business mainly focus on the distribution of electronic components. Line cards we deal with include Microchip,ALPS,ROHM,Xilinx,Pulse,ON,Everlight and Freescale. Main products comprise IC,Modules,Potentiometer,IC Socket,Relay,Connector.Our parts cover such applications as commercial,industrial, and automotives areas.

We are looking forward to setting up business relationship with you and hope to provide you with the best service and solution. Let us make a better world for our industry!



Contact us

Tel: +86-755-8981 8866 Fax: +86-755-8427 6832

Email & Skype: info@chipsmall.com Web: www.chipsmall.com

Address: A1208, Overseas Decoration Building, #122 Zhenhua RD., Futian, Shenzhen, China



13 12 11 10 9 8 7 6 5 4 3 2 1

J
I
H
G
F
E
D
C
B
A

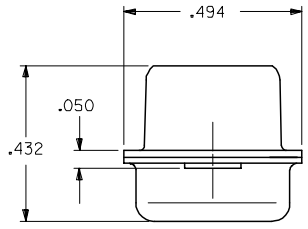
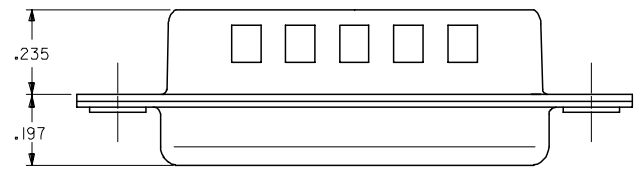
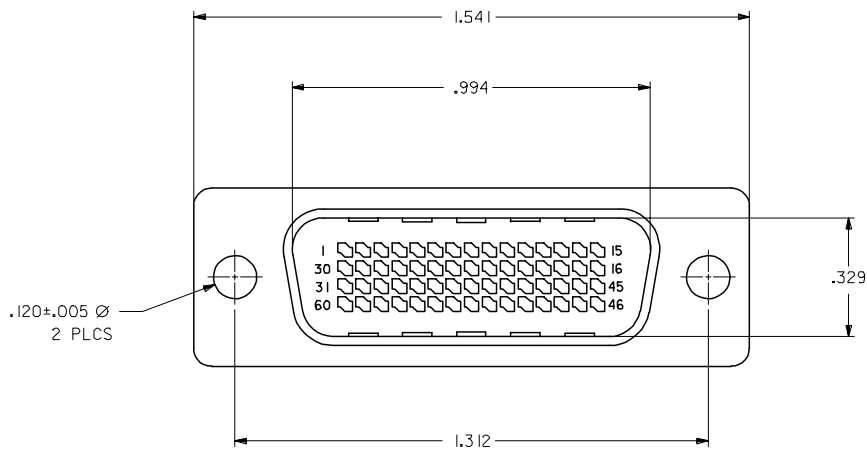
J
I
H
G
F
E
D
C
B
A

NOTES:

- 1) PLASTIC HOUSING:
GLASS FILLED LCP (LIQUID CRYSTAL POLYMER), UL 94 V-0, COLOR: BLACK.
- 2) FRONT SHELL:
DEEP DRAWN STEEL, .020" THICK;
PLATING: SEE TABLE
BRIGHT TIN: 150-250 MICROINCHES BRIGHT TIN OVER 50-150 MICROINCHES NICKEL OVER COPPER FLASH OVERALL (OPTIONAL).
BRIGHT NICKEL: 100-175 MICROINCHES BRIGHT NICKEL OVER 50 MICROINCHES MAXIMUM COPPER OVERALL.
- 3) BACK SHELL:
DEEP DRAWN STEEL, .016" THICK;
PLATING: 150-250 MICROINCHES BRIGHT TIN OVER 50-150 MICROINCHES NICKEL OVER COPPER FLASH OVERALL (OPTIONAL).
- 4) THIS CONNECTOR CONFORMS TO PRODUCT SPECIFICATION PS-70928.
- 5) PACKAGING SPECIFICATION PK-70873-0236 APPLIES.
- 6) SEE APPLICATION SPECIFICATION PS-70929 FOR ASSEMBLY AND TERMINATION DETAILS.
- 7) INSERT-MOLDED TERMINAL STRIP ASSEMBLIES ARE SUPPLIED SEPARATELY (SEE SHEET 2 FOR ORDERING INFORMATION).

NOTE FOR LEAD FREE CONVERSION:

THE PRIMARY SHIPPING CARTON WILL BE LABELED "COMPLIANT TO RoHS DIRECTIVE 2002/95/EC AND ELV ANNEX II OF DIRECTIVE 2000/53/EC". CARTONS WITHOUT THIS LABEL MAY CONTAIN PRODUCT WITH LEAD.



2	A
1	B
SHT	REV

PART NO.	PRODUCT DESCRIPTION	FRONT SHELL PLATING
70929-2020	60 CKT. I/O PLUG CONNECTOR SUB-ASSEMBLY	BRIGHT TIN
70929-2029	60 CKT. I/O PLUG CONNECTOR SUB-ASSEMBLY	BRIGHT NICKEL

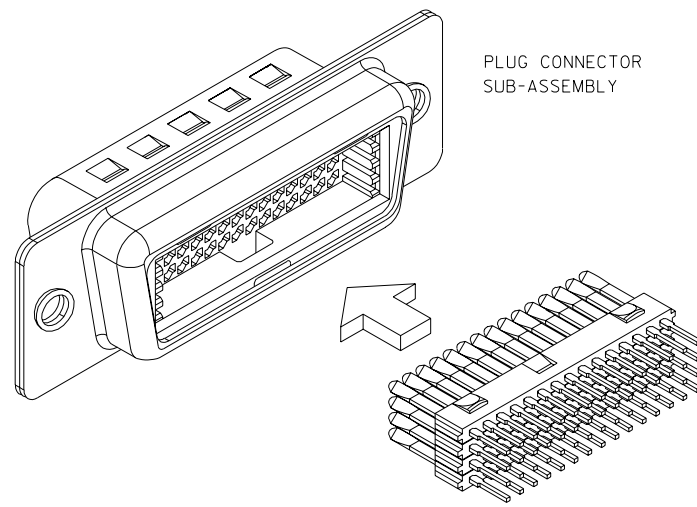
ADD 70929-2029	2006/02/06	QUALITY SYMBOLS
EC NO: UICP2006-0666	2006/02/07	▽=0
DRWN:MS/BARRA	2006/02/07	▽=0
CHKD:DMORGAN	2006/02/09	
APPR:SMILLER		
REV	DESCRIPTION	

GENERAL TOLERANCES (UNLESS SPECIFIED)	
	mm INCH
4 PLACES	± .005 ± .0005
3 PLACES	± .005 ± .0005
2 PLACES	± .005 ± .0005
1 PLACE	± .005 ± .0005
ANGULAR ±1/2°	
DRAFT WHERE APPLICABLE MUST REMAIN WITHIN DIMENSIONS	

DIMENSION STYLE INCH ONLY	
DRAWN BY	DATE
RKA	2004/08/16
CHECKED BY	DATE
BB	2004/08/16
APPROVED BY	DATE
SM	2004/08/16
MATERIAL NO.	DOCUMENT NO.
SEE TABLE	SD-70929-001
THIS DRAWING CONTAINS INFORMATION THAT IS PROPRIETARY TO MOLEX INCORPORATED AND SHOULD NOT BE USED WITHOUT WRITTEN PERMISSION	

SCALE 4:1	DESIGN UNITS INCH	THIRD ANGLE PROJECTION
SALES ASSEMBLY LFH 60CKT I/O PLUG FOR CABLE ASSEMBLIES		
MOLEX INCORPORATED		
DOCUMENT NO. SD-70929-001		SHEET NO. 1 OF 2

12 11 10 9 8 7 6 5 4 3 2 1



PLUG CONNECTOR
SUB-ASSEMBLY

INSERT MOLDED TERMINAL STICKS
SUPPLIED SEPARATELY
SEE SALES DRAWING: SDA-70984-100*
NOTE: STICKS SHOWN WITH CARRIER REMOVED

70929

A	SEE SHEET 1			
MFG.	SH.	REV.	LTR.	REVISIONS

DIMENSIONS SHOWN (METRIC) INCH
UNLESS OTHERWISE SPECIFIED
TOLERANCES: ANGULAR ± 1/2°

	INCH	METRIC
3 PLACE	±	---
2 PLACE	±	±
1 PLACE	---	±

DRAFT WHERE APPLICABLE MUST
REMAIN WITHIN DIMENSIONS

DRWG. BY	RKA	CHK'D. BY	BB
APP'D. BY	SM	SCALE	4: 1

▽ = 0	▼ = 0	REVISE ONLY ON CAD SYSTEM	
TITLE SALES ASSEMBLY LFH 60 CKT I/O PLUG FOR CABLE ASSEMBLIES			
FROM: LITSE,ILL.	MOLEX INCORPORATED 60532 U.S.A.	SHEET NO. 2	DATE 04/8/16
PART NO. SEE SHEET 1	DRWG. NO. SD-70929-001	DIV. SIZE CD C	
THIS DRAWING CONTAINS INFORMATION THAT IS PROPRIETARY TO MOLEX INC. AND SHOULD NOT BE USED WITHOUT WRITTEN PERMISSION.			