



Chipsmall Limited consists of a professional team with an average of over 10 year of expertise in the distribution of electronic components. Based in Hongkong, we have already established firm and mutual-benefit business relationships with customers from,Europe,America and south Asia,supplying obsolete and hard-to-find components to meet their specific needs.

With the principle of “Quality Parts,Customers Priority,Honest Operation,and Considerate Service”,our business mainly focus on the distribution of electronic components. Line cards we deal with include Microchip,ALPS,ROHM,Xilinx,Pulse,ON,Everlight and Freescale. Main products comprise IC,Modules,Potentiometer,IC Socket,Relay,Connector.Our parts cover such applications as commercial,industrial, and automotives areas.

We are looking forward to setting up business relationship with you and hope to provide you with the best service and solution. Let us make a better world for our industry!



## Contact us

Tel: +86-755-8981 8866 Fax: +86-755-8427 6832

Email & Skype: info@chipsmall.com Web: www.chipsmall.com

Address: A1208, Overseas Decoration Building, #122 Zhenhua RD., Futian, Shenzhen, China

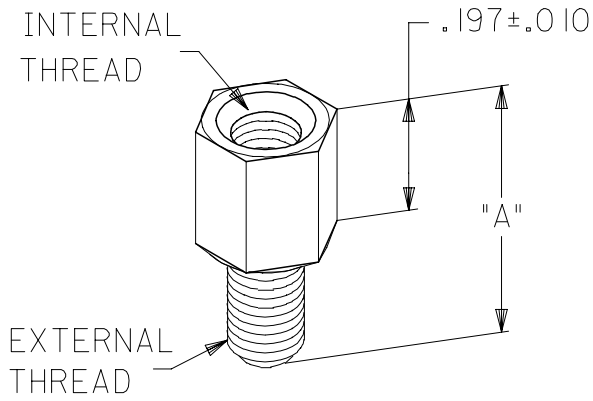


6	5	4	3	2	1
PART NUMBER	DIMINSION "A"	INTERNAL THREAD	EXTERNAL THREAD	FINISH	
70982-1002	.394±.020	4-40 UNC	M3	TIN PLATE	

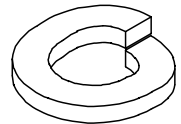
NOTE:

COMPONENTS WILL BE KITTED IN PVC BAGS PER THE FOLLOWING BILL OF MATERIALS:

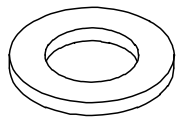
BILL OF MATERIALS		
ITEM #	QTY	DESCRIPTION
1	2	HEX. LOCK SCREW
2	4	WASHER
3	2	LOCKWASHER
4	2	NUT



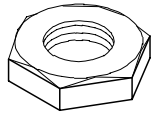
ITEM #1



ITEM #3



ITEM #2



ITEM #4

REMOVED 70982-1006  
 EC NO: UCP2006-2579  
 DRWN:MS IBARRA 2006/09/25  
 CHKD:BBARKER 2006/10/02  
 APPR:SMILLER 2006/10/03

QUALITY SYMBOLS	DESCRIPTION
▼=0	
▽=0	

GENERAL TOLERANCES (UNLESS SPECIFIED)		
	mm	INCH
4 PLACES	± .005	± .0004
3 PLACES	± .003	± .0002
2 PLACES	± .002	± .0001
1 PLACE	± .001	± .00005
ANGULAR ±1/2°		
DRAFT WHERE APPLICABLE MUST REMAIN WITHIN DIMENSIONS		

DIMENSION STYLE INCH ONLY	
DRAWN BY	DATE
MOS	1992/09/14
CHECKED BY	DATE
OSULLIVAN	1992/09/14
APPROVED BY	DATE
BIXLER	1992/09/14
MATERIAL NO. SEE TABLE	

SCALE 4:1	DESIGN UNITS INCH	THIRD ANGLE PROJECTION
TITLE 3/16 HEXAGONAL SCREWLOCK HARDWARE KIT		
MOLEX INCORPORATED		
DOCUMENT NO. SDMS-70982-****		SHEET NO. 1 OF 1
THIS DRAWING CONTAINS INFORMATION THAT IS PROPRIETARY TO MOLEX INCORPORATED AND SHOULD NOT BE USED WITHOUT WRITTEN PERMISSION		