



Chipsmall Limited consists of a professional team with an average of over 10 year of expertise in the distribution of electronic components. Based in Hongkong, we have already established firm and mutual-benefit business relationships with customers from,Europe,America and south Asia,supplying obsolete and hard-to-find components to meet their specific needs.

With the principle of "Quality Parts,Customers Priority,Honest Operation,and Considerate Service",our business mainly focus on the distribution of electronic components. Line cards we deal with include Microchip,ALPS,ROHM,Xilinx,Pulse,ON,Everlight and Freescale. Main products comprise IC,Modules,Potentiometer,IC Socket,Relay,Connector.Our parts cover such applications as commercial,industrial, and automotives areas.

We are looking forward to setting up business relationship with you and hope to provide you with the best service and solution. Let us make a better world for our industry!



## Contact us

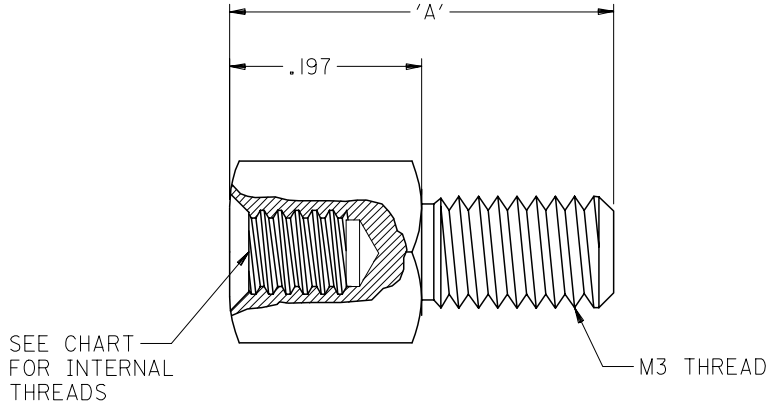
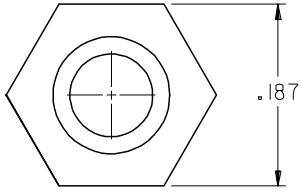
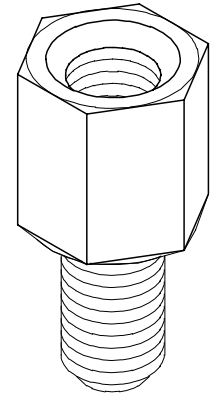
Tel: +86-755-8981 8866 Fax: +86-755-8427 6832

Email & Skype: info@chipsmall.com Web: www.chipsmall.com

Address: A1208, Overseas Decoration Building, #122 Zhenhua RD., Futian, Shenzhen, China



ITEM #	INTERNAL THREAD	EXTERNAL THREAD	DIMENSION 'A'	FINISH
70982-1003	4-40 UNC	M3	.433	CLEAR TRIVALENT CHROMATE
70982-1004	M3	M3	.394	TIN
70982-1005	4-40 UNC	M3	.394	CLEAR TRIVALENT CHROMATE



NOTE FOR LEAD FREE CONVERSION:  
 THE PRIMARY SHIPPING CARTON WILL BE LABELED "COMPLIANT TO RoHS  
 DIRECTIVE 2002/95/EC AND ELV ANNEX II OF DIRECTIVE 2000/53/EC".  
 CARTONS WITHOUT THIS LABEL MAY CONTAIN PRODUCT WITH LEAD.

ROHS COMPLIANT EC NO: UCP2006-1389 DRWN:MSI/BARRA 2006/01/18 CHKD:BSMART 2006/01/24 APPR:SMILLER 2006/01/26	DESCRIPTION QUALITY SYMBOLS ▽=0 ▽=0	GENERAL TOLERANCES (UNLESS SPECIFIED)		DIMENSION STYLE INCH ONLY		SCALE 8:1	DESIGN UNITS INCH	THIRD ANGLE PROJECTION	
			mm	INCH	DRAWN BY MOS	DATE 94/01/17	TITLE 3/16 HEX. SCREWLOCK HARDWARE KIT SALES DETAIL		
		4 PLACES ± ---	± ---	± ---	CHECKED BY DRS	DATE 94/01/17			
		3 PLACES ± ---	± ---	± ---	APPROVED BY GWF	DATE 94/01/17	MATERIAL NO. MOLEX INCORPORATED		
2 PLACES ± ---	± ---	± ---	ANGULAR ±1/2°		SEE TABLE	DOCUMENT NO. SD-70982-****	SHEET NO. 1 OF 1		
1 PLACE ± ---	± ---	± ---	DRAFT WHERE APPLICABLE MUST REMAIN WITHIN DIMENSIONS		SIZE B	THIS DRAWING CONTAINS INFORMATION THAT IS PROPRIETARY TO MOLEX INCORPORATED AND SHOULD NOT BE USED WITHOUT WRITTEN PERMISSION			