



Chipsmall Limited consists of a professional team with an average of over 10 year of expertise in the distribution of electronic components. Based in Hongkong, we have already established firm and mutual-benefit business relationships with customers from,Europe,America and south Asia,supplying obsolete and hard-to-find components to meet their specific needs.

With the principle of “Quality Parts,Customers Priority,Honest Operation,and Considerate Service”,our business mainly focus on the distribution of electronic components. Line cards we deal with include Microchip,ALPS,ROHM,Xilinx,Pulse,ON,Everlight and Freescale. Main products comprise IC,Modules,Potentiometer,IC Socket,Relay,Connector.Our parts cover such applications as commercial,industrial, and automotives areas.

We are looking forward to setting up business relationship with you and hope to provide you with the best service and solution. Let us make a better world for our industry!



Contact us

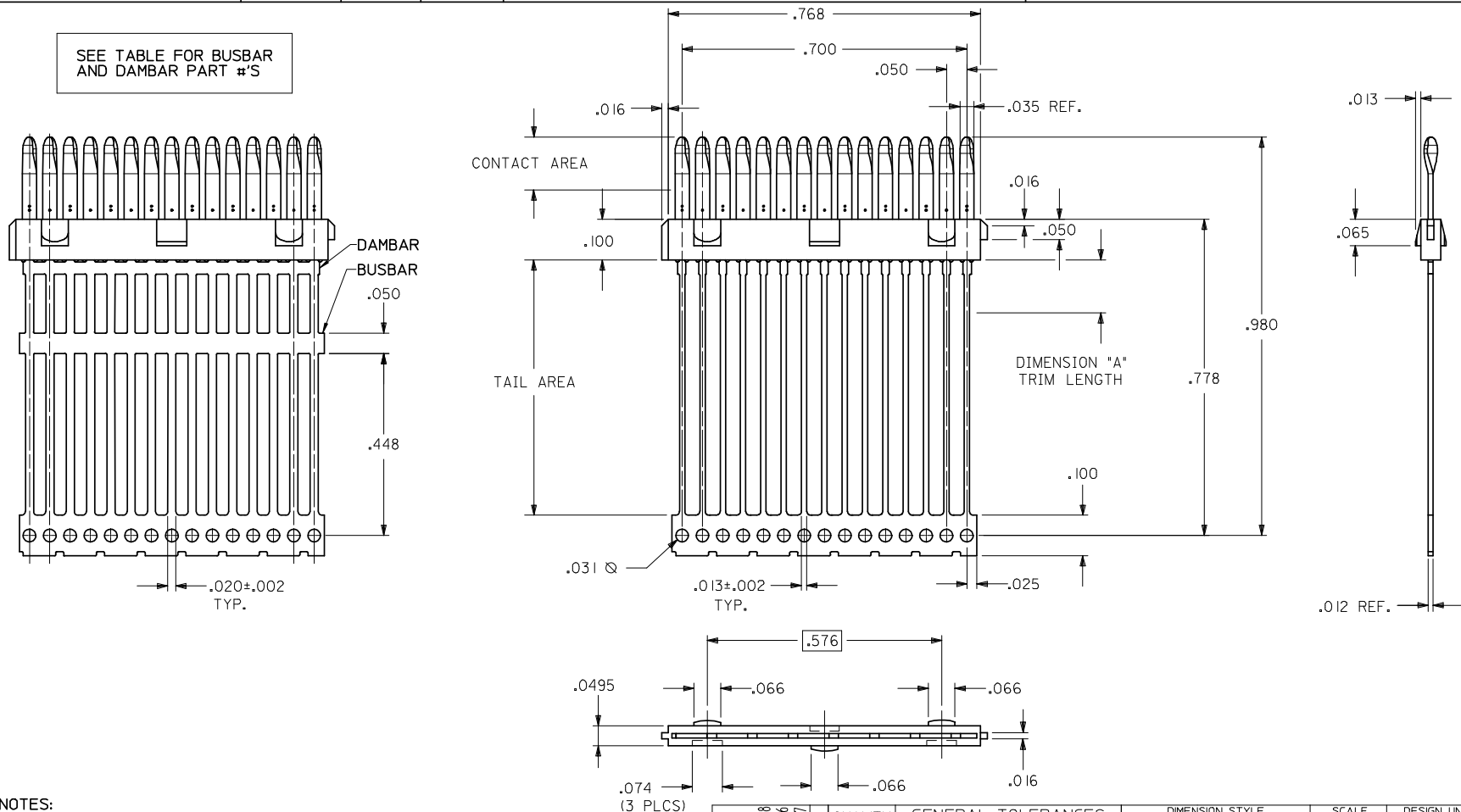
Tel: +86-755-8981 8866 Fax: +86-755-8427 6832

Email & Skype: info@chipsmall.com Web: www.chipsmall.com

Address: A1208, Overseas Decoration Building, #122 Zhenhua RD., Futian, Shenzhen, China



PART NUMBER	ENGINEERING NUMBER	DIMENSION "A"	BUSBAR OPTION	DAMBAR OPTION	PLATING	
					CONTACT AREA	TAIL AREA
					051-24-2021	70984-1001
051-24-2022	70984-1002	.130±.010	NO	NO	.000030/(0.00076) MINIMUM GOLD OVER A NICKEL UNDERPLATE	.000100/(0.00254) MINIMUM TIN OVER A NICKEL UNDERPLATE
70984-1007		N/A	YES	NO	.000050/(0.00127) MINIMUM NICKEL	
70984-1010		N/A	YES	NO	.000200/(0.00508) MINIMUM TIN OVER A NICKEL UNDERPLATE	
70984-1014		.130±.010	NO	YES	GOLD FLASH OVER A NICKEL UNDERPLATE	
70984-1005		N/A	YES	YES	.000050/(0.00127) MINIMUM NICKEL	
70984-1008		N/A	YES	YES	.000200/(0.00508) MINIMUM TIN OVER A NICKEL UNDERPLATE	
70984-1100		N/A	NO	YES	.000100/(0.00254) MINIMUM TIN OVER A NICKEL UNDERPLATE	
70984-1013		.130±.010	YES	NO	.000030/(0.00076) MINIMUM GOLD OVER A NICKEL UNDERPLATE	



NOTES:

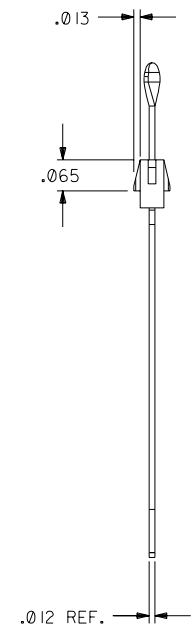
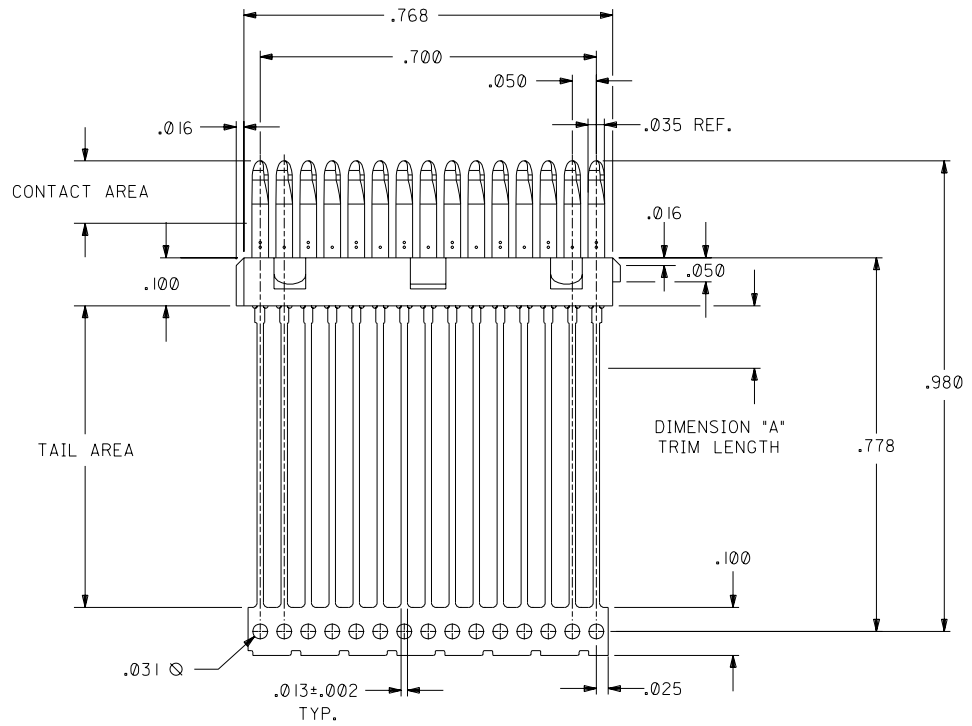
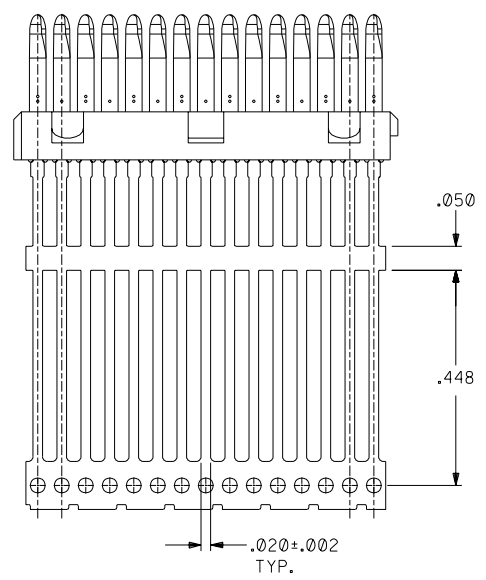
- 1) MATERIALS: INSULATOR - GLASS FILLED LIQUID CRYSTAL POLYMER (LCP), UL 94V-0, COLOR - BLACK
TERMINAL - PHOSPHOR BRONZE, .012 THICK.
- 2) FOR PART NUMBERS AND PLATING OPTIONS, SEE CHART.
- 3) PARTS CONFORM TO PRODUCT SPECIFICATION PS-70928.
- 4) PACKAGED PER PK-70873-0335 EXCEPT 70984-1100, PACKAGE PER PK-70873-0351.
- 5) PART COMPLIES WITH CLASS C OF COSMETIC SPECIFICATION PS-45499-002.

ADD -1005.08.1100.13 EC NO: UCP2008-2713 DRW:BSMART 2008/05/28 CHKD:DMORGAN 2008/06/26 APPR:SMILLER 2008/06/27	QUALITY SYMBOLS ▽=0 ▽=0	GENERAL TOLERANCES (UNLESS SPECIFIED)		DIMENSION STYLE IN/MM		SCALE	DESIGN UNITS INCH	THIRD ANGLE PROJECTION		
		4 PLACES ± --- ± ---	3 PLACES ± 0.01 ± ---	2 PLACES ± --- ± ---	1 PLACE ± --- ± ---	DRAWN BY SCHMIDGALL	DATE 07/12/1993	TITLE 15 CKT LFH PLUG INSERT MOLDED CONTACT ASSEMBLY - MANUFACTURING		
		ANGULAR ±1/2°				APPROVED BY CAB	DATE 07/12/1993	MATERIAL NO. SEE TABLE		
		DRAFT WHERE APPLICABLE MUST REMAIN WITHIN DIMENSIONS				MATERIAL NO. SEE TABLE		DOCUMENT NO. SDA-70984-100	SHEET NO. 1 OF 1	

THIS DRAWING CONTAINS INFORMATION THAT IS PROPRIETARY TO MOLEX INCORPORATED AND SHOULD NOT BE USED WITHOUT WRITTEN PERMISSION

PART NUMBER	ENGINEERING NUMBER	DIMENSION "A"	BUSBAR OPTION	PLATING	
				CONTACT AREA	TAIL AREA
051-24-2021	70984-1001	N/A	NO	.000030/(0.00076) MINIMUM GOLD OVER A NICKEL UNDERPLATE	.000100/(0.00254) MINIMUM TIN OVER A NICKEL UNDERPLATE
051-24-2022	70984-1002	.130±.010	NO	.000030/(0.00076) MINIMUM GOLD OVER A NICKEL UNDERPLATE	.000100/(0.00254) MINIMUM TIN OVER A NICKEL UNDERPLATE
70984-1007		N/A	YES	.000030/(0.00076) MINIMUM GOLD OVER A NICKEL UNDERPLATE	.000050/(0.00127) MINIMUM NICKEL
70984-1010		N/A	YES	.000030/(0.00076) MINIMUM GOLD OVER A NICKEL UNDERPLATE	.000200/(0.00508) MINIMUM TIN OVER A NICKEL UNDERPLATE
70984-1014		.130±.010	NO	GOLD FLASH OVER A NICKEL UNDERPLATE	

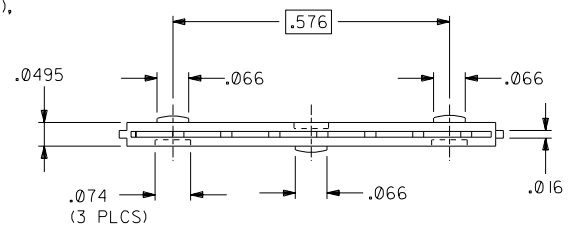
BUSBAR OPTION
(SEE CHART FOR PART #'S)



NOTES

- MATERIALS:
INSULATOR: GLASS FILLED LIQUID CRYSTAL POLYMER (LCP), UL 94V-0, COLOR: BLACK.
TERMINAL: PHOSPHOR BRONZE, .012 THICK.
PLATING: SEE CHART
- FOR PART NUMBERS AND PLATING OPTIONS, SEE CHART.
- PARTS CONFORM TO PRODUCT SPECIFICATION PS-70928.
- PACKAGED PER SPECIFICATION PK-70873-0335 APPLIES.

NOTE FOR LEAD FREE CONVERSION:
THE PRIMARY SHIPPING CARTON WILL BE LABELED "COMPLIANT TO ROHS DIRECTIVE 2002/95/EC AND ELV ANNEX II OF DIRECTIVE 2000/53/EC". CARTONS WITHOUT THIS LABEL MAY CONTAIN PRODUCT WITH LEAD.



F	LEADFREE ECN# UCP2004-1998 DMORGAN 04/04/14
E	ADD -1014 ASSY ECN UDT2002-0739 BBARKER 01/11/21
D	REVISED UDT2001-1316 SCHMIDGA 05/18/01
CI	REVISED PER ECN U6-1240 04/09/96 DRS
C	REVISED PER ECN U6-0746 1/30/95 MOS
B	ADDED PART NO. PER ECN U4-0497 04/20/94 MOS
AI	ADDED PART NO. PER ECN U3-1261 09/14/93 DRS
A	FIRST RELEASE PER ECN U3-1063 7.12.93 MOS

DIMENSIONS ARE IN INCHES

UNLESS OTHERWISE SPECIFIED TOLERANCES: ANGULAR ± 1/2°	▽ = 0	▽ = 0	REVISIONS
3 PLACE ± .010	INCH	METRIC	
2 PLACE ± --- ± ---			
1 PLACE --- ± ---			
DRAFT WHERE APPLICABLE MUST REMAIN WITHIN DIMENSIONS		MFG, SH, REV, LTR.	
DRWG. BY: SCHMIDGALL	CHK'D. BY: MOS	FILE NAME: 570984X1.DGN	TITLE: 15ck+ LFH PLUG INSERT MOLDED CONTACT ASSEMBLY - SALES DETAIL
APP'D. BY: CAB	SCALE: 5:1	SHEET NO. 1 OF 1	DATE: 08/04/93
SEE CHART		SDA-70984-100*	

THIS DRAWING CONTAINS INFORMATION THAT IS PROPRIETARY TO MOLEX INC. AND SHOULD NOT BE USED WITHOUT WRITTEN PERMISSION.

70984