



Chipsmall Limited consists of a professional team with an average of over 10 year of expertise in the distribution of electronic components. Based in Hongkong, we have already established firm and mutual-benefit business relationships with customers from,Europe,America and south Asia,supplying obsolete and hard-to-find components to meet their specific needs.

With the principle of "Quality Parts,Customers Priority,Honest Operation,and Considerate Service",our business mainly focus on the distribution of electronic components. Line cards we deal with include Microchip,ALPS,ROHM,Xilinx,Pulse,ON,Everlight and Freescale. Main products comprise IC,Modules,Potentiometer,IC Socket,Relay,Connector.Our parts cover such applications as commercial,industrial, and automotives areas.

We are looking forward to setting up business relationship with you and hope to provide you with the best service and solution. Let us make a better world for our industry!



Contact us

Tel: +86-755-8981 8866 Fax: +86-755-8427 6832

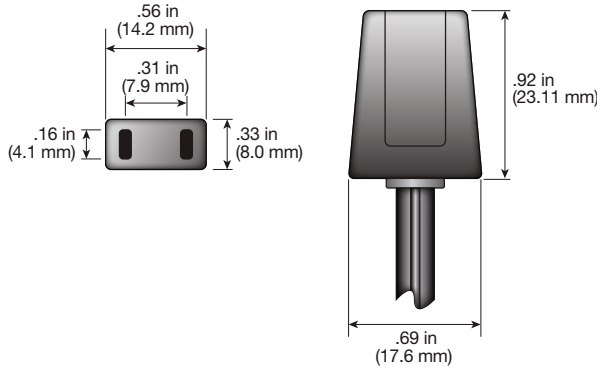
Email & Skype: info@chipsmall.com Web: www.chipsmall.com

Address: A1208, Overseas Decoration Building, #122 Zhenhua RD., Futian, Shenzhen, China

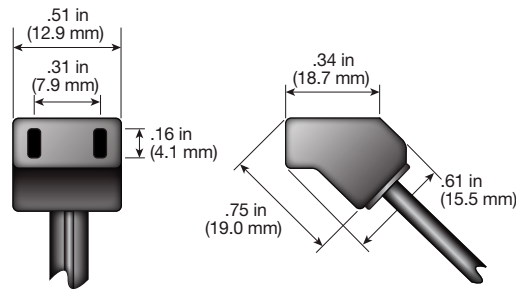


Fan Cord Specifications

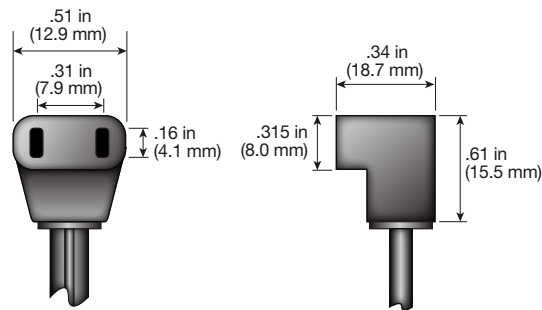
Power cords come in the following four standard plug styles. All power cords come in the following standard lengths, but custom sizes are available. All cords are manufactured using 18 AWG cordage rated at 105°C, 300 volts.



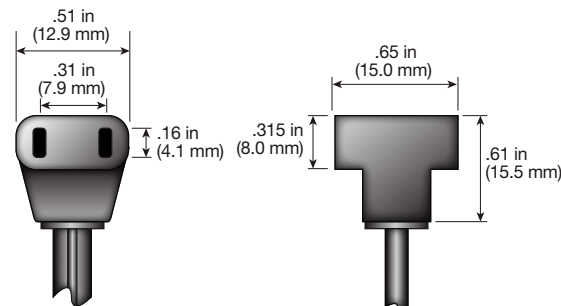
PART NUMBER	CORD LENGTH	
	mm	inches
07100-12	305	12
07100-24	610	24
07100-36	915	36
07100-40	1016	40
07100-50	1270	50
07100-60	1524	60
07100-80	2032	80



PART NUMBER	CORD LENGTH	
	mm	inches
07145-12	305	12
07145-24	610	24
07145-36	915	36
07145-40	1016	40
07145-50	1270	50
07145-60	1524	60
07145-80	2032	80



PART NUMBER	CORD LENGTH	
	mm	inches
07190-12	305	12
07190-24	610	24
07190-36	915	36
07190-40	1016	40
07190-50	1270	50
07190-60	1524	60
07190-80	2032	80



PART NUMBER	CORD LENGTH	
	mm	inches
07199-12	305	12
07199-24	610	24
07199-36	915	36
07199-40	1016	40
07199-50	1270	50
07199-60	1524	60
07199-80	2032	80

