



Chipsmall Limited consists of a professional team with an average of over 10 year of expertise in the distribution of electronic components. Based in Hongkong, we have already established firm and mutual-benefit business relationships with customers from,Europe,America and south Asia,supplying obsolete and hard-to-find components to meet their specific needs.

With the principle of “Quality Parts,Customers Priority,Honest Operation,and Considerate Service”,our business mainly focus on the distribution of electronic components. Line cards we deal with include Microchip,ALPS,ROHM,Xilinx,Pulse,ON,Everlight and Freescale. Main products comprise IC,Modules,Potentiometer,IC Socket,Relay,Connector.Our parts cover such applications as commercial,industrial, and automotives areas.

We are looking forward to setting up business relationship with you and hope to provide you with the best service and solution. Let us make a better world for our industry!



## Contact us

Tel: +86-755-8981 8866 Fax: +86-755-8427 6832

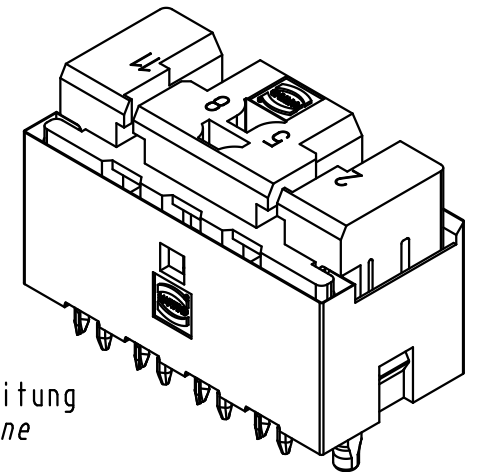
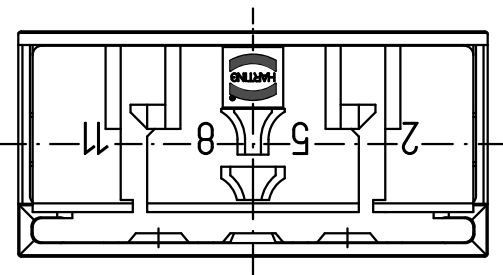
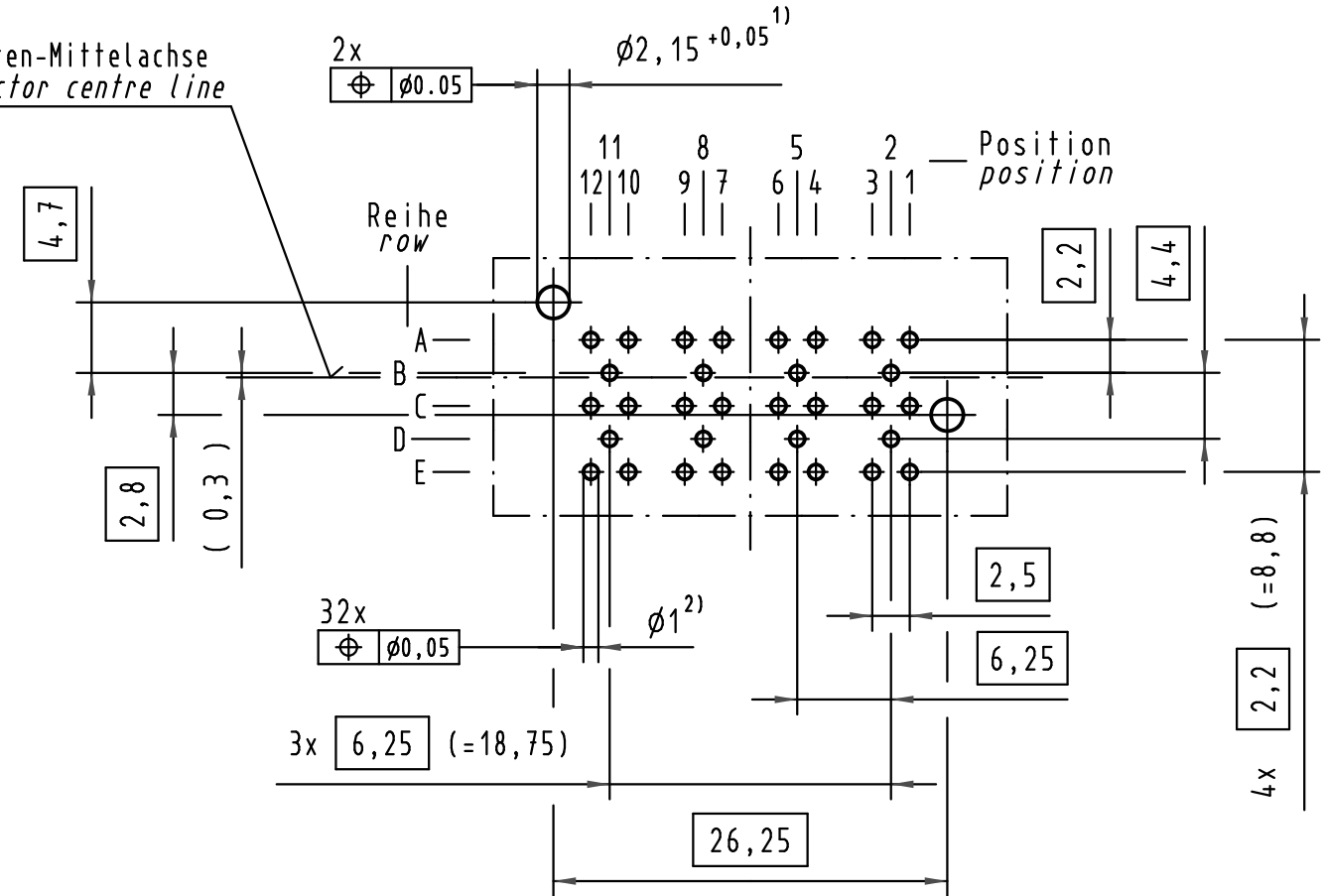
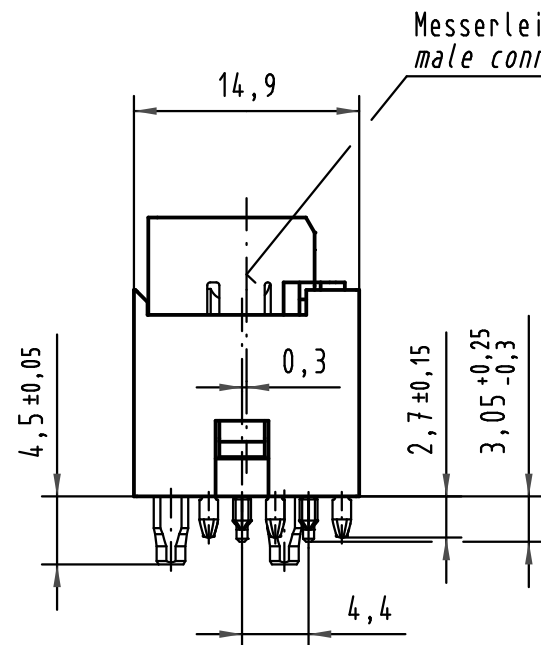
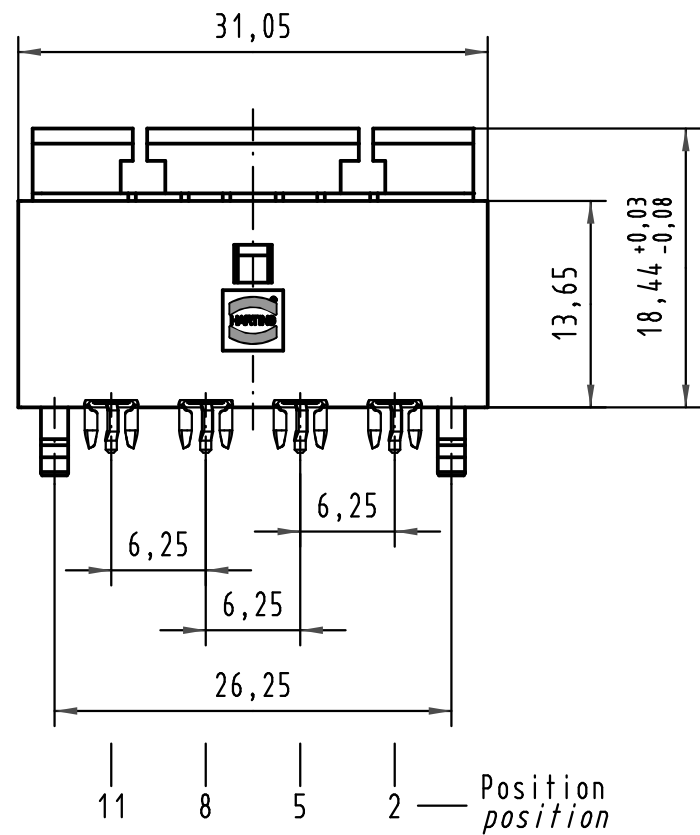
Email & Skype: info@chipsmall.com Web: www.chipsmall.com

Address: A1208, Overseas Decoration Building, #122 Zhenhua RD., Futian, Shenzhen, China




Alle Rechte vorbehalten/ All rights reserved

X Lochbild  
board drillings



Reihe B,D ; Position 2,5,8,11 für Signalleitung  
 Row B,D ; position 2,5,8,11 for signal-line  
 Reihe A,C,E ; Position 1,3,4,6,7,9,10,12 für Masseleitung  
 Row A,C,E ; position 1,3,4,6,7,9,10,12 for ground-line

- 2) Für Einpreßverbindung DIN 41611-5-EE 1.0-AC
- 2) For press-in connection DIN 41611-5-EE 1.0-AC
- 1) Löcher nicht metallisiert
- 1) Non-metallized drillings

All Dimensions in mm Original Size DIN A 3			Techn. Character.				Nicht tolerierte Maß/Free size tolerances	
34650	07.02.08	Hage.		Dat.	Name	Maßstab/Scale <b>2:1</b>	Mini-Koax-Modul, 1.25SU-gerade 8x50 Ohm, (4 Doppelk.), Einpreßtechnik mini-coax-module, 1.25SU-straight 8x50 ohm, (4 twin-con.), press-in	
24096	16.04.98	Rie.	Detail.	12.03.93	Rie.			
20462	29.07.96	Rie.	Insp.	12.03.93	Pa.			
18901	20.06.95	Rie.	Stand.					
17035	09.06.94	Rie.						
15124	02.09.93	Rie.	HARTING Electronics GmbH & Co. KG D-32339 ESPELKAMP				TB 07 11 100 0024	
Mod.	Dat.	Name					Sub.	Blatt/ page