



Chipsmall Limited consists of a professional team with an average of over 10 year of expertise in the distribution of electronic components. Based in Hongkong, we have already established firm and mutual-benefit business relationships with customers from,Europe,America and south Asia,supplying obsolete and hard-to-find components to meet their specific needs.

With the principle of “Quality Parts,Customers Priority,Honest Operation,and Considerate Service”,our business mainly focus on the distribution of electronic components. Line cards we deal with include Microchip,ALPS,ROHM,Xilinx,Pulse,ON,Everlight and Freescale. Main products comprise IC,Modules,Potentiometer,IC Socket,Relay,Connector.Our parts cover such applications as commercial,industrial, and automotives areas.

We are looking forward to setting up business relationship with you and hope to provide you with the best service and solution. Let us make a better world for our industry!



Contact us

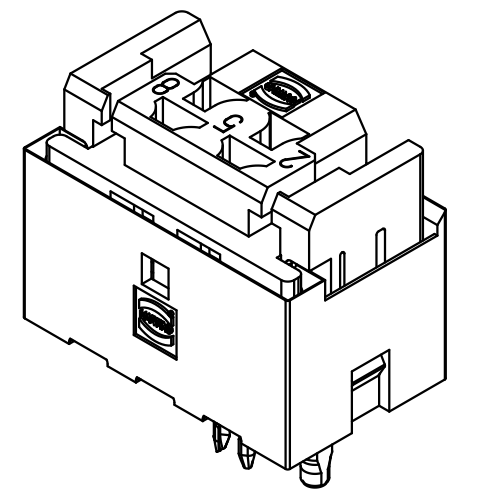
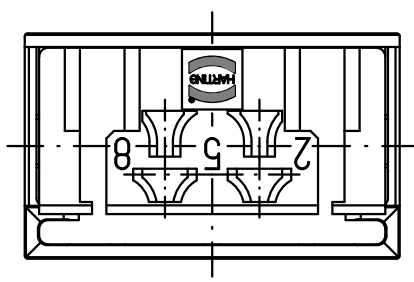
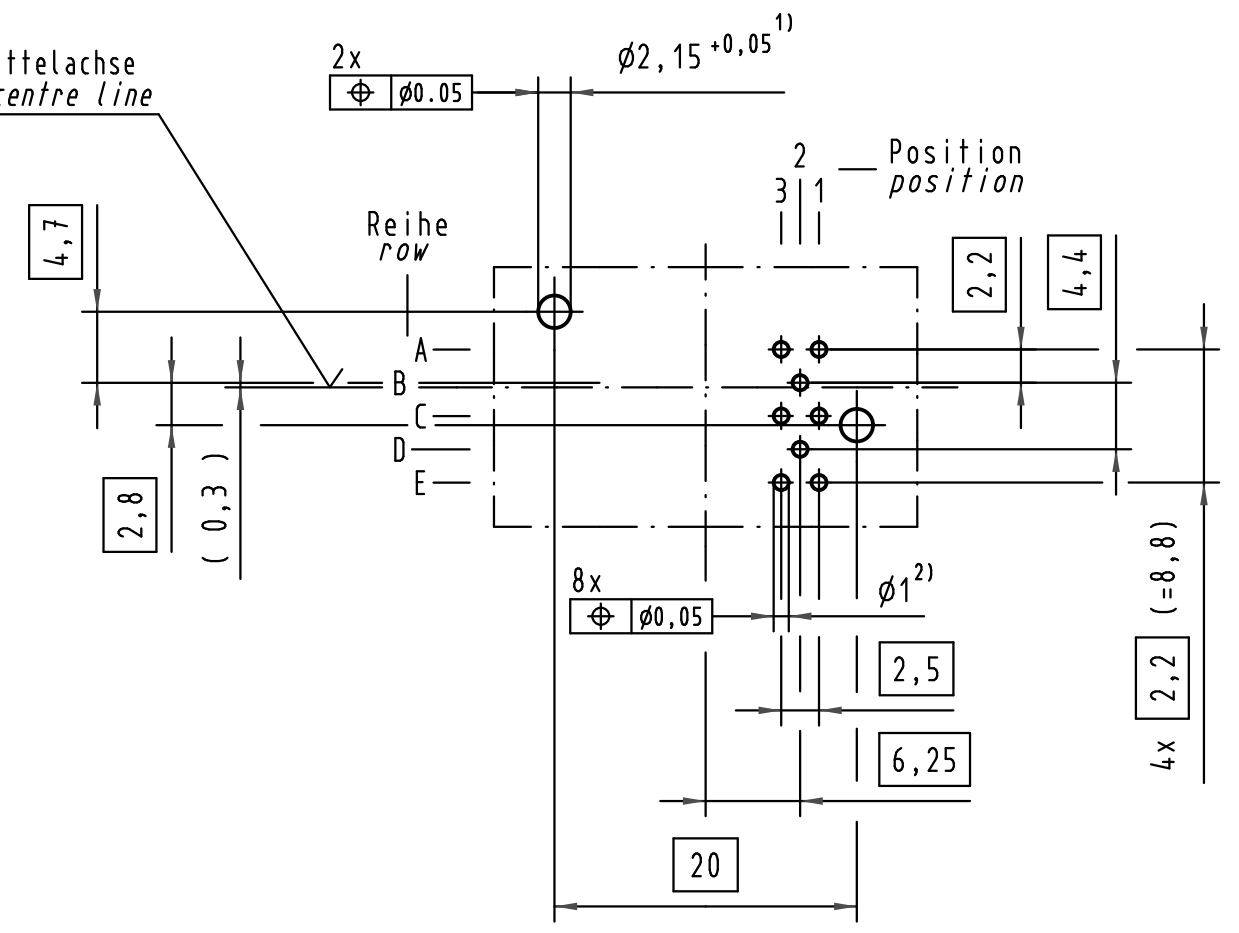
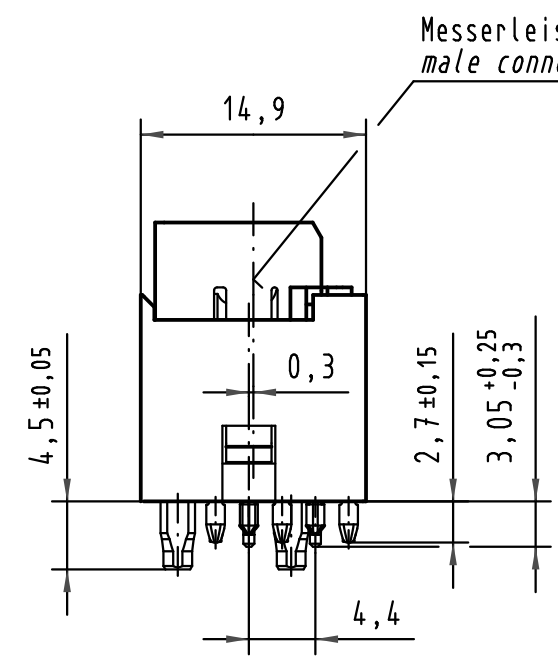
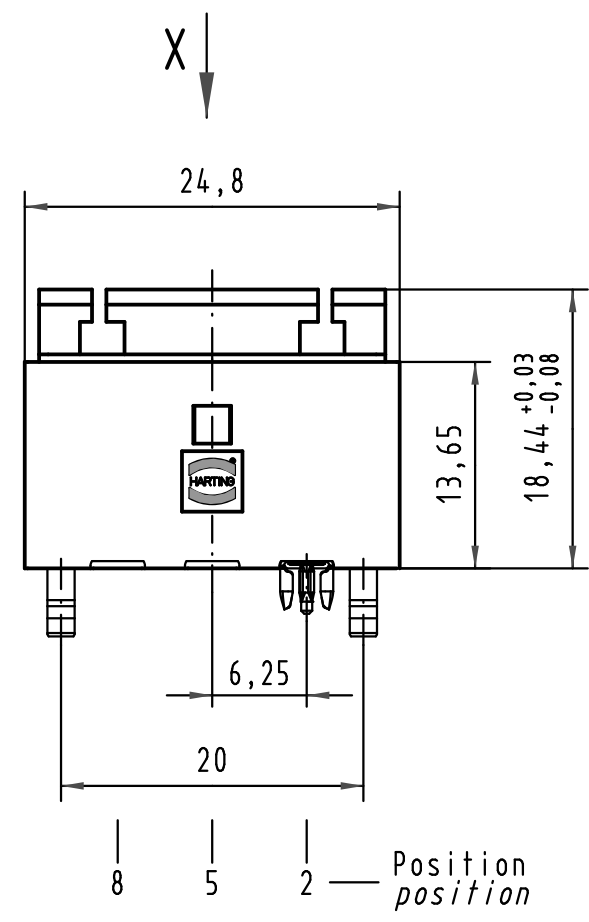
Tel: +86-755-8981 8866 Fax: +86-755-8427 6832

Email & Skype: info@chipsmall.com Web: www.chipsmall.com

Address: A1208, Overseas Decoration Building, #122 Zhenhua RD., Futian, Shenzhen, China



Alle Rechte vorbehalten/ All rights reserved



Reihe B,D ; Position 2 für Signalleitung
Row B,D ; position 2 for signal-line
Reihe A,C,E ; Position 1,3 für Masseleitung
Row A,C,E ; position 1,3 for ground-line

2) Für Einpreßverbindung DIN 41611-5-EE 1.0-AC
2) For press-in connection DIN 41611-5-EE 1.0-AC
1) Löcher nicht metallisiert
1) Non-metallized drillings

All Dimensions in mm Original Size DIN A 3			Techn. Character.				Nicht tolerierte Maß/Free size tolerances	
34650	08.02.08	Hage.		Dat.	Name	Maßstab/Scale 2:1	Mini-Koax-Modul, 1SU-gerade 2x50 Ohm, (1 Doppelk.), Einpreßtechnik mini-coax-module, 1SU-straight 2x50 Ohm, (1 twin-con.), press-in	
24097	24.04.98	Rie.	Detail.	12.03.93	Rie.			
20462	29.07.96	Rie.	Insp.	12.03.93	Pa.			
18901	20.06.95	Rie.	Stand.					
17035	09.06.94	Rie.						
15124	01.09.93	Rie.	HARTING Electronics GmbH & Co. KG D-32339 ESPELKAMP			Sub.	TB 07 11 900 0023	Blatt/ page
Mod.	Dat.	Name						