



Chipsmall Limited consists of a professional team with an average of over 10 year of expertise in the distribution of electronic components. Based in Hongkong, we have already established firm and mutual-benefit business relationships with customers from,Europe,America and south Asia,supplying obsolete and hard-to-find components to meet their specific needs.

With the principle of “Quality Parts,Customers Priority,Honest Operation,and Considerate Service”,our business mainly focus on the distribution of electronic components. Line cards we deal with include Microchip,ALPS,ROHM,Xilinx,Pulse,ON,Everlight and Freescale. Main products comprise IC,Modules,Potentiometer,IC Socket,Relay,Connector.Our parts cover such applications as commercial,industrial, and automotives areas.

We are looking forward to setting up business relationship with you and hope to provide you with the best service and solution. Let us make a better world for our industry!



Contact us

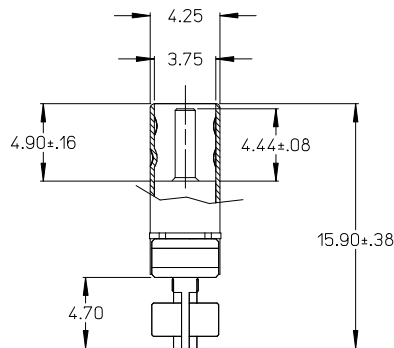
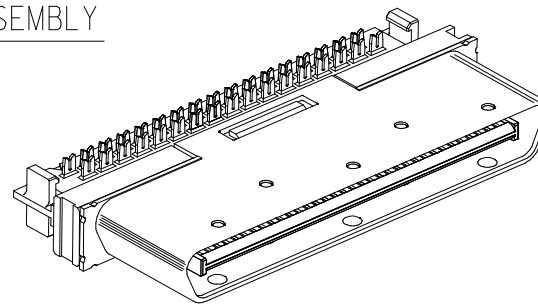
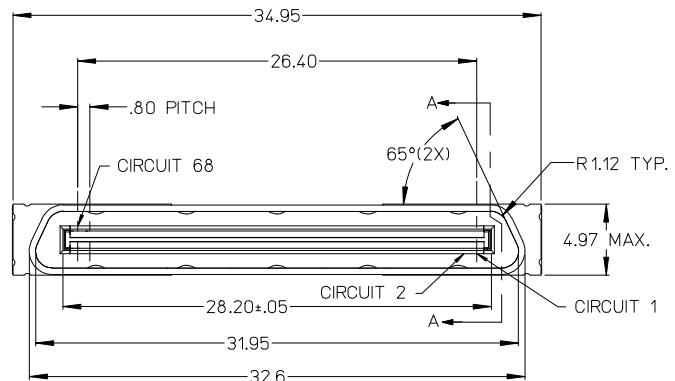
Tel: +86-755-8981 8866 Fax: +86-755-8427 6832

Email & Skype: info@chipsmall.com Web: www.chipsmall.com

Address: A1208, Overseas Decoration Building, #122 Zhenhua RD., Futian, Shenzhen, China

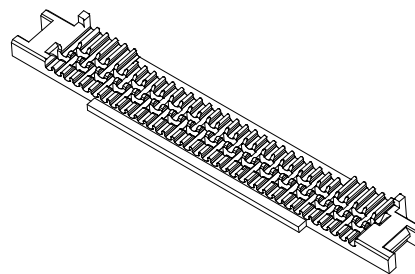
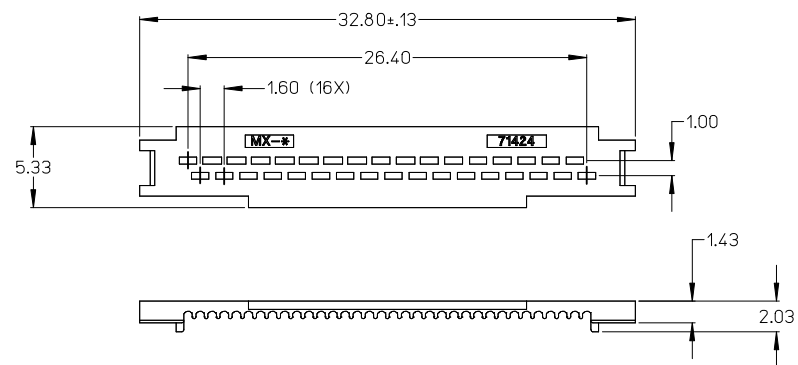
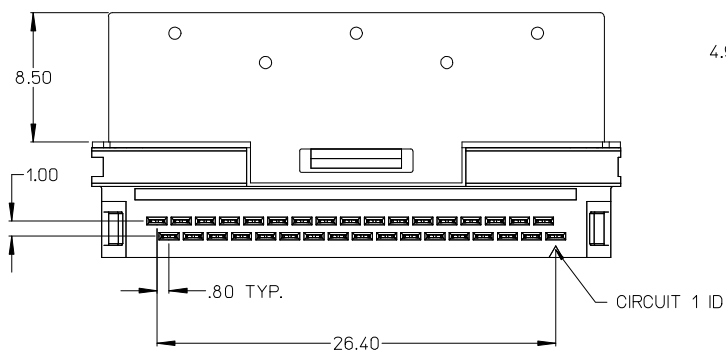


PLUG ASSEMBLY



NOTES:

- MATERIAL: HOUSING: GLASS FILLED THERMOPLASTIC; NATURAL; UL 94V-0
TERMINALS: COPPER ALLOY
SHIELD: ALUMINUM KILLED STEEL
- FINISH: TERMINALS: 0.76 MICROMETER MINIMUM GOLD IN THE CONTACT AREA
NICKEL UNDERPLATE OVERALL
SHIELD: 2.54 MICROMETER MINIMUM BRIGHT NICKEL OVER COPPER FLASH.
- ASSEMBLY MATES WITH RECEPTACLE #71430 AND 73776.
- PACKAGED PER PK-70873-0851.
- PRODUCT CONFORMS TO PS-71425-9999.
- FOR DIE CAST SHELL KITS SEE SD-73796-008.
- PART COMPLIES WITH CLASS B OF COSMETIC SPECIFICATION PS-45992-002.
- TO BE USED WITH 28-30 AWG STRANDED WIRE OR 30 AWG SOLID CORE WIRE.
- SEE AS-71425-001 FOR WIRE TERMINATION INSTRUCTIONS.



WIRE COVER

ADD NOTE 9 EC NO: UCP2009-2243 DRWN:BBARKER 2009/03/25 CHKD:BSMART 2009/03/26 APPR:SMILLER 2009/03/27	QUALITY SYMBOLS ▽=0 ▽=0	GENERAL TOLERANCES (UNLESS SPECIFIED) mm INCH 4 PLACES ± --- ± --- 3 PLACES ± --- ± --- 2 PLACES ± 0.25 ± --- 1 PLACE ± --- ± --- ANGULAR ±1/2°	DIMENSION STYLE MM ONLY DRAWN BY DATE BBARKER 2002/10/29 CHECKED BY DATE DMORGAN 2002/10/29 APPROVED BY DATE SMILLER 2002/10/29	SCALE DESIGN UNITS METRIC THIRD ANGLE PROJECTION	TITLE VHDCI 0.8 MM PITCH 68 CIRCUIT IDT PLUG KIT - SALES ASSEMBLY									
	KIT COMPONENTS <table border="1"> <tr> <td>71425-0050</td> <td>PLUG ASSEMBLY</td> <td>1</td> <td>71425-0003</td> </tr> <tr> <td></td> <td>WIRE COVER</td> <td>2</td> <td>71424-0001</td> </tr> </table>		71425-0050	PLUG ASSEMBLY	1	71425-0003		WIRE COVER	2	71424-0001	MATERIAL NO. SEE TABLE		DOCUMENT NO. SD-71425-002	SHEET NO. 1 OF 1
	71425-0050	PLUG ASSEMBLY	1	71425-0003										
		WIRE COVER	2	71424-0001										
DRAFT WHERE APPLICABLE MUST REMAIN WITHIN DIMENSIONS		THIS DRAWING CONTAINS INFORMATION THAT IS PROPRIETARY TO MOLEX INCORPORATED AND SHOULD NOT BE USED WITHOUT WRITTEN PERMISSION												
REV D		MOLEX INCORPORATED												