



Chipsmall Limited consists of a professional team with an average of over 10 year of expertise in the distribution of electronic components. Based in Hongkong, we have already established firm and mutual-benefit business relationships with customers from,Europe,America and south Asia,supplying obsolete and hard-to-find components to meet their specific needs.

With the principle of “Quality Parts,Customers Priority,Honest Operation,and Considerate Service”,our business mainly focus on the distribution of electronic components. Line cards we deal with include Microchip,ALPS,ROHM,Xilinx,Pulse,ON,Everlight and Freescale. Main products comprise IC,Modules,Potentiometer,IC Socket,Relay,Connector.Our parts cover such applications as commercial,industrial, and automotives areas.

We are looking forward to setting up business relationship with you and hope to provide you with the best service and solution. Let us make a better world for our industry!



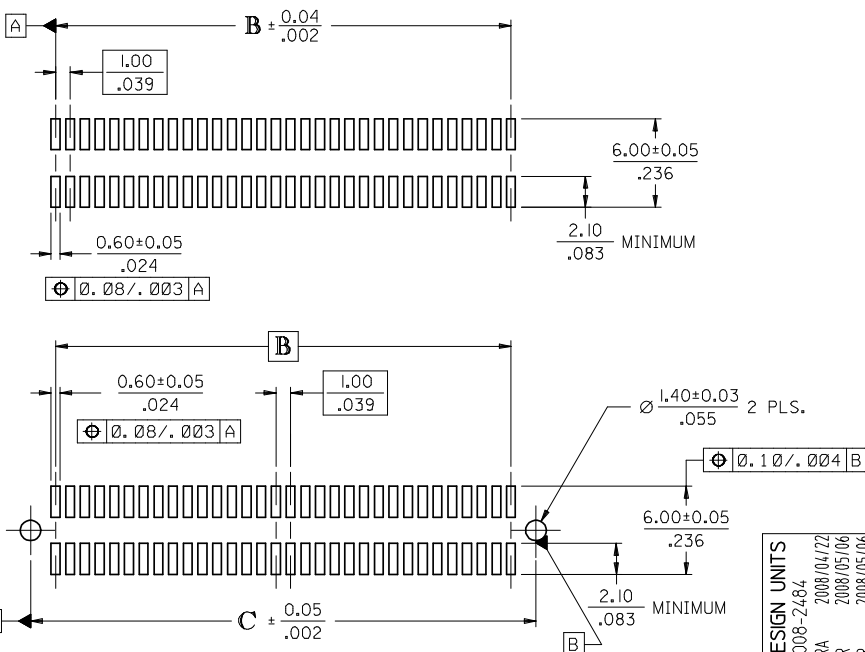
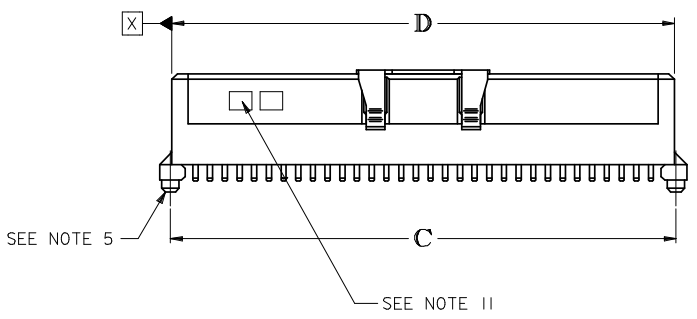
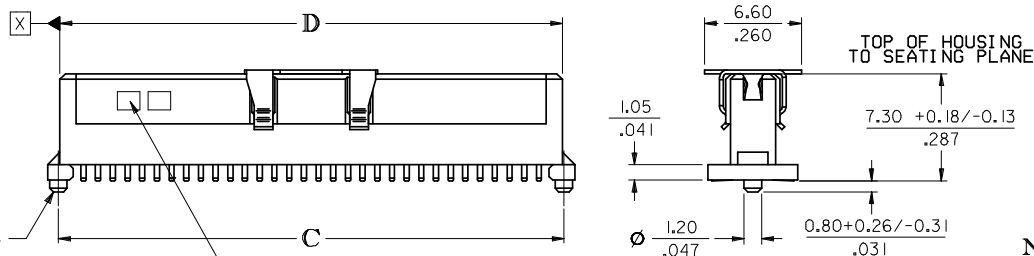
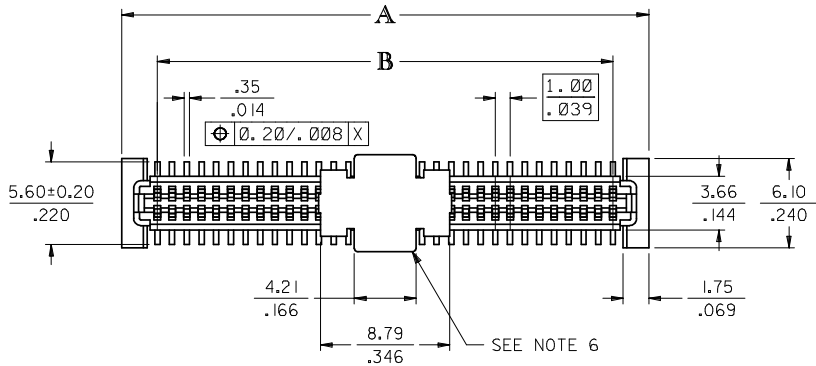
## Contact us

Tel: +86-755-8981 8866 Fax: +86-755-8427 6832

Email & Skype: info@chipsmall.com Web: www.chipsmall.com

Address: A1208, Overseas Decoration Building, #122 Zhenhua RD., Futian, Shenzhen, China





**RECOMMENDED PCB LAYOUT  
(WITH AND WITHOUT PEGS)**  
RECOMMENDED PCB THICKNESS: 1.00±0.10/.039±.004

CIRCUIT SIZE	DIM. A	DIM. B	DIM. C	DIM. D
20	13.90 .547	9.00 .354	12.40 .488	12.22 .481
30	18.90 .744	14.00 .551	17.40 .685	17.22 .678
40	23.90 .941	19.00 .748	22.40 .882	22.22 .875
50	28.90 1.138	24.00 .945	27.40 1.079	27.22 1.072
60	33.90 1.335	29.00 1.142	32.40 1.276	32.22 1.269
64	35.90 1.413	31.00 1.220	34.40 1.354	34.22 1.347
70	38.90 1.531	34.00 1.339	37.40 1.472	37.22 1.465
80	43.90 1.728	39.00 1.535	42.40 1.669	42.22 1.662
84	45.90 1.807	41.00 1.614	44.40 1.748	44.22 1.741
90	48.90 1.925	44.00 1.732	47.40 1.866	47.22 1.859
100	53.90 2.122	49.00 1.929	52.40 2.063	52.22 2.056
110	58.90 2.319	54.00 2.126	57.40 2.260	57.22 2.253
120	63.90 2.516	59.00 2.323	62.40 2.457	62.22 2.450

**NOTES:**

- HOUSING MATERIAL: G.F. THERMOPLASTIC; UL RATING: 94V-0; COLOR: WHITE  
NOTE: HOUSING COLOR FOR -I664 (ONLY) IS BLACK.  
TERMINAL MATERIAL: PHOSPHOR BRONZE; 0.205/.0080 THICK  
VACUUM CAP MATERIAL: STAINLESS STEEL; 0.255/.0100 THICK
- PLATING ON CONTACTS IS AS FOLLOWS:  
0.00076/.000030 MINIMUM GOLD PLATING IN CONTACT AREA,  
0.0019/.000075 MINIMUM TIN PLATING IN TERMINAL AREA,  
OVER NICKEL PLATING OVERALL.  
\*THE PRIMARY SHIPPING CARTON WILL BE LABELED "COMPLIANT TO ROHS DIRECTIVE 2002/95/EC AND ELV ANNEX II OF DIRECTIVE 2000/53/EC". CARTONS WITHOUT THIS LABEL MAY CONTAIN PRODUCT WITH LEAD.
- THIS PART, WHEN MATED WITH MOLEX 1.0mm PLUG CONNECTOR SERIES 71436, CONFORMS TO MOLEX PRODUCT SPECIFICATION PS-71436-9999. REFER TO CHART ON SHEET 2 FOR MATED STACK HEIGHTS FOR THIS RECEPTACLE.
- PACKAGING SPECIFICATIONS: REFER TO CHART ON SHEET 2.
- PEGS ARE OPTIONAL. REFER TO CHART ON SHEET 2.
- VACUUM PICK & PLACE CAP IS OPTIONAL. REFER TO CHART ON SHEET 2.
- THIS PART CONFORMS TO EIA STANDARD 700 AAAB FOR 1.0mm TWO-PART CONNECTORS FOR USE WITH PARALLEL PRINTED BOARDS.
- COPLANARITY OF SMT TAILS: 0.10/.004 MAX.
- 64-CIRCUIT RECEPTACLE ASSEMBLY WITH PEGS AND VACUUM CAP SHOWN FOR ILLUSTRATION PURPOSES ONLY.
- DIMENSIONS ARE IN mm/IN. INCH DIMENSIONS SHOWN FOR REFERENCE ONLY.
- DATE CODE STAMP IS WEEK, YEAR LOCATED APPROXIMATELY WHERE SHOWN.

2	K
1	K
SHT	REV

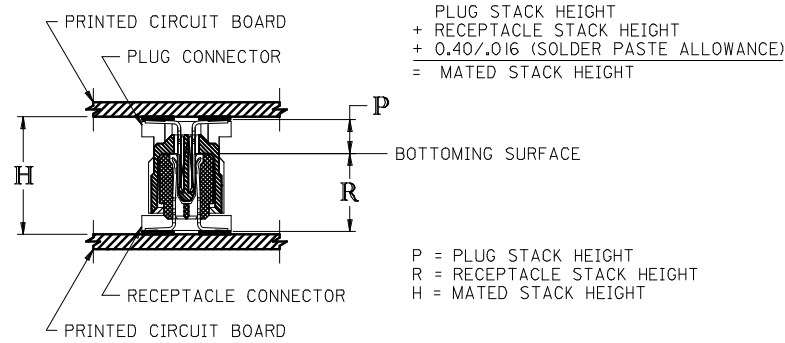
CORRECT DESIGN UNITS EC NO: UCP2008-2484 DRAWN: MSIBARRA 2008/04/22 CHKD: BBARKER 2008/05/06 APPR: SMILLER 2008/05/06	QUALITY SYMBOLS ▽=0 ▽=0	GENERAL TOLERANCES (UNLESS SPECIFIED) DIMENSION STYLE: MM/IN SCALE: 4:1 DESIGN UNITS: METRIC THIRD ANGLE PROJECTION	DRAWN BY: REED DATE: 1995/03/23 CHECKED BY: REED DATE: 1995/03/23 APPROVED BY: BIXLER DATE: 1995/03/23	TITLE: SALES ASSY, 1.0MM BOARD TO BOARD RECEPTACLE CONNECTOR 7.30/.287 HIGH MOLEX MOLEX INCORPORATED DOCUMENT NO. SDA-71439-1*** SHEET NO. 1 OF 2
	DRAFT WHERE APPLICABLE MUST REMAIN WITHIN DIMENSIONS	SEE TABLE	THIS DRAWING CONTAINS INFORMATION THAT IS PROPRIETARY TO MOLEX INCORPORATED AND SHOULD NOT BE USED WITHOUT WRITTEN PERMISSION	

### STANDARD

CIRCUIT SIZE	RECEPTACLE ASSY. ITEM NUMBER	PEGS	PICK & PLACE CAP	PACKAGING SPEC. NUMBER	PACKAGING TYPE
64	71439-1164	YES	NO	PK-70873-0601	TUBE
64	71439-1364	YES	YES	PK-70873-0607	TUBE
64	71439-1464	YES	YES	PK-70873-063	TAPE & REEL
64	71439-1564	NO	NO	PK-70873-0606	TUBE
64	71439-1664	NO	YES MATTE FINISH	PK-70873-063	TAPE & REEL
64	71439-1764	NO	YES	PK-70873-0606	TUBE
64	71439-1864	NO	YES	PK-70873-063	TAPE & REEL

RECOMMENDED PLUG/RECEPTACLE COMBINATION FOR  
MATED STACK HEIGHT PER EIA STANDARD 700 AAAB

MATED STACK HEIGHT	RECEPTACLE HEIGHT	RECEPTACLE SERIES NO.	PLUG HEIGHT	PLUG SERIES NO.
11.00/.433	7.30/.287	71439-1***	3.30/.130	71436-1***
12.00/.472	7.30/.287	71439-1***	4.30/.169	71436-2***



CORRECT DESIGN UNITS EC NO: UCP2008-2484 DRAWN: MS1BARRA 2008/04/22 CHKD: BBARKER 2008/05/06 APPR: SWILLER 2008/05/06	QUALITY SYMBOLS	GENERAL TOLERANCES (UNLESS SPECIFIED) <table border="1"> <tr> <th></th> <th>mm</th> <th>INCH</th> </tr> <tr> <td>4 PLACES</td> <td>±---</td> <td>±---</td> </tr> <tr> <td>3 PLACES</td> <td>±---</td> <td>±---</td> </tr> <tr> <td>2 PLACES</td> <td>±---</td> <td>±---</td> </tr> <tr> <td>1 PLACE</td> <td>±---</td> <td>±---</td> </tr> </table>		mm	INCH	4 PLACES	±---	±---	3 PLACES	±---	±---	2 PLACES	±---	±---	1 PLACE	±---	±---	DIMENSION STYLE	SCALE	DESIGN UNITS	THIRD ANGLE PROJECTION
			mm	INCH																	
	4 PLACES	±---	±---																		
	3 PLACES	±---	±---																		
2 PLACES	±---	±---																			
1 PLACE	±---	±---																			
▼=0 ▽=0	MM/IN	---	METRIC																		
REV	DESCRIPTION	DRAFT WHERE APPLICABLE MUST REMAIN WITHIN DIMENSIONS	DRAWN BY REED DATE 1995/03/23 CHECKED BY DATE REED 1995/03/23 APPROVED BY DATE BIXLER 1995/03/23	TITLE SALES ASSY, 1.0MM BOARD TO BOARD RECEPTACLE CONNECTOR 7.30/.287 HIGH																	
K		MATERIAL NO. SEE TABLE SIZE C	MOLEX INCORPORATED DOCUMENT NO. SDA-71439-1***		SHEET NO. 2 OF 2																