



Chipsmall Limited consists of a professional team with an average of over 10 year of expertise in the distribution of electronic components. Based in Hongkong, we have already established firm and mutual-benefit business relationships with customers from,Europe,America and south Asia,supplying obsolete and hard-to-find components to meet their specific needs.

With the principle of “Quality Parts,Customers Priority,Honest Operation,and Considerate Service”,our business mainly focus on the distribution of electronic components. Line cards we deal with include Microchip,ALPS,ROHM,Xilinx,Pulse,ON,Everlight and Freescale. Main products comprise IC,Modules,Potentiometer,IC Socket,Relay,Connector.Our parts cover such applications as commercial,industrial, and automotives areas.

We are looking forward to setting up business relationship with you and hope to provide you with the best service and solution. Let us make a better world for our industry!



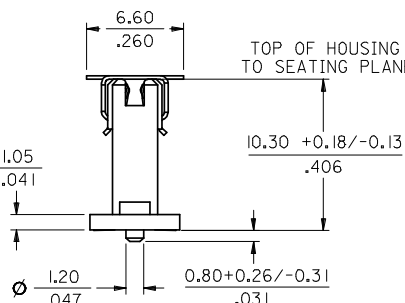
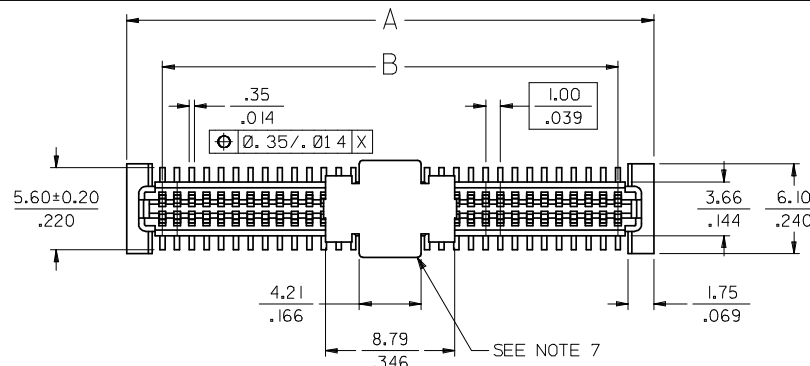
Contact us

Tel: +86-755-8981 8866 Fax: +86-755-8427 6832

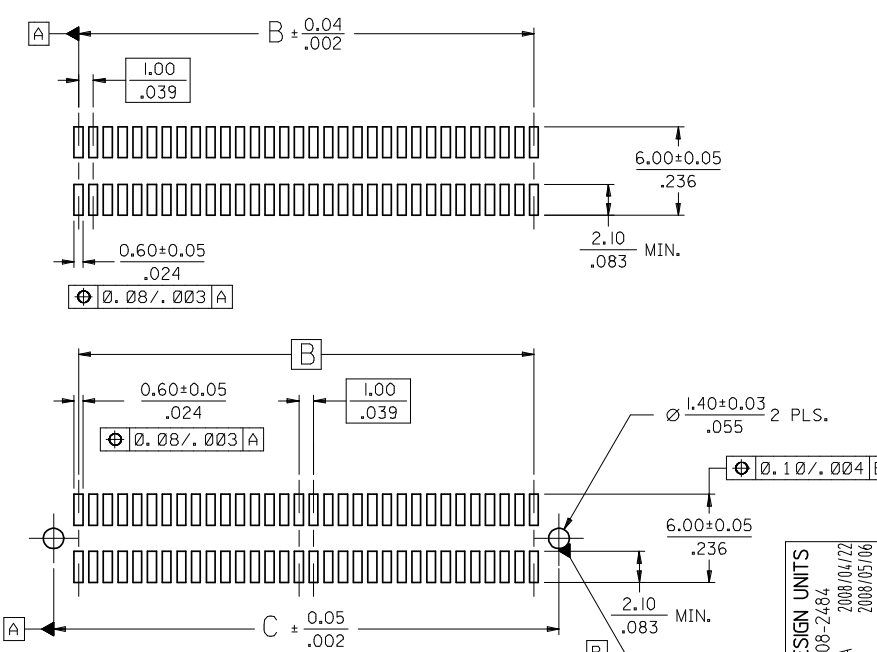
Email & Skype: info@chipsmall.com Web: www.chipsmall.com

Address: A1208, Overseas Decoration Building, #122 Zhenhua RD., Futian, Shenzhen, China





CIRCUIT SIZE	DIM. A	DIM. B	DIM. C	DIM. D
20	13.90 .547	9.00 .354	12.40 .488	12.22 .481
30	18.90 .744	14.00 .551	17.40 .685	17.22 .678
40	23.90 .941	19.00 .748	22.40 .882	22.22 .875
50	28.90 1.138	24.00 .945	27.40 1.079	27.22 1.072
60	33.90 1.335	29.00 1.142	32.40 1.276	32.22 1.269
64	35.90 1.413	31.00 1.220	34.40 1.354	34.22 1.347
70	38.90 1.531	34.00 1.339	37.40 1.472	37.22 1.465
80	43.90 1.728	39.00 1.535	42.40 1.669	42.22 1.662
84	45.90 1.807	41.00 1.614	44.40 1.748	44.22 1.741
90	48.90 1.925	44.00 1.732	47.40 1.866	47.22 1.859
100	53.90 2.122	49.00 1.929	52.40 2.063	52.22 2.056
110	58.90 2.319	54.00 2.126	57.40 2.260	57.22 2.253
120	63.90 2.516	59.00 2.323	62.40 2.457	62.22 2.450



NOTES:

- HOUSING MATERIAL: LIQUID CRYSTAL POLYMER (LCP) GLASS FILLED ;
UL RATING: 94V-0; COLOR: WHITE OR BLACK
TERMINAL MATERIAL: PHOSPHOR BRONZE; 0.205/-.0080 THICK
VACUUM CAP MATERIAL: STAINLESS STEEL; 0.255/-.0100 THICK
- PLATING FINISHES: SEE SHEET 2
- PRODUCT SPECIFICATION: PS-71436-999
- PACKAGING SPECIFICATIONS: REFER TO CHART ON SHEET 2.
- MATES WITH: 71436 SERIES. SEE SHEET 2 FOR MATING VIEW AND STACK HEIGHT.
- PEGS ARE OPTIONAL. REFER TO CHART ON SHEET 2.
- VACUUM PICK & PLACE CAP IS OPTIONAL. REFER TO CHART ON SHEET 2.
- THIS PART CONFORMS TO EIA STANDARD 700 AAAB FOR 1.0mm TWO-PART CONNECTORS FOR USE WITH PARALLEL PRINTED BOARDS.
- COPLANARITY OF SMT TAILS: 0.10/-.004 MAX.
- 64-CIRCUIT RECEPTACLE ASSEMBLY WITH PEGS AND VACUUM CAP SHOWN FOR ILLUSTRATION PURPOSES ONLY.
- DIMENSIONS ARE IN mm/in. INCH DIMENSIONS SHOWN FOR REFERENCE ONLY.
- ASSEMBLY TO HAVE DATE CODE: XX XX
WEEK _____ YEAR

2	K
1	K
SHT	REV

RECOMMENDED PCB LAYOUT
(WITH AND WITHOUT PEGS)

RECOMMENDED PCB THICKNESS: 1.00±0.10/-.039±.004

CORRECT DESIGN UNITS EC NO: UCP2008-2484 DRAWN: MSIBARRA 2008/04/22 CHKD: BBARKER 2008/05/06 APPR: SMILLER 2008/05/06	QUALITY SYMBOLS ▽=0 ▽=0	GENERAL TOLERANCES (UNLESS SPECIFIED)		DIMENSION STYLE MM/IN	SCALE 4:1	DESIGN UNITS METRIC	THIRD ANGLE PROJECTION	
		4 PLACES ± --- ± ---	3 PLACES ± --- ± .005	2 PLACES ± 0.13 ± .01	1 PLACE ± 0.25 ± ---	ANGULAR ± 1/2°	DRAWN BY REED 1995/03/23	CHECKED BY REED 1995/03/23
DRAFT WHERE APPLICABLE MUST REMAIN WITHIN DIMENSIONS		SEE TABLE		DOCUMENT NO. SDA-71439-3***		SHEET NO. 1 OF 2		
THIS DRAWING CONTAINS INFORMATION THAT IS PROPRIETARY TO MOLEX INCORPORATED AND SHOULD NOT BE USED WITHOUT WRITTEN PERMISSION								

WHITE (NATURAL) MATERIAL

CIRCUIT SIZE	RECEPTACLE ASSY. ITEM NUMBER	PEGS	CONTACT PLATING (SEE PLATING NOTES)	PICK & PLACE CAP	PACKAGING SPEC. NUMBER	PACKAGING TYPE
64	71439-3164	YES	30 GOLD	NO	PK-70873-0693	TUBE
64	71439-3364	YES	30 GOLD	YES	PK-70873-0693	TUBE
64	71439-3464	YES	30 GOLD	YES	PK-70873-063	TAPE & REEL
64	71439-3564	NO	30 GOLD	NO	PK-70873-0692	TUBE
64	71439-3764	NO	30 GOLD	YES	PK-70873-0692	TUBE
64	71439-3864	NO	30 GOLD	YES	PK-70873-063	TAPE & REEL
64	71439-3264	NO	50 GOLD	YES	PK-70873-063	TAPE & REEL

PLATING NOTES:

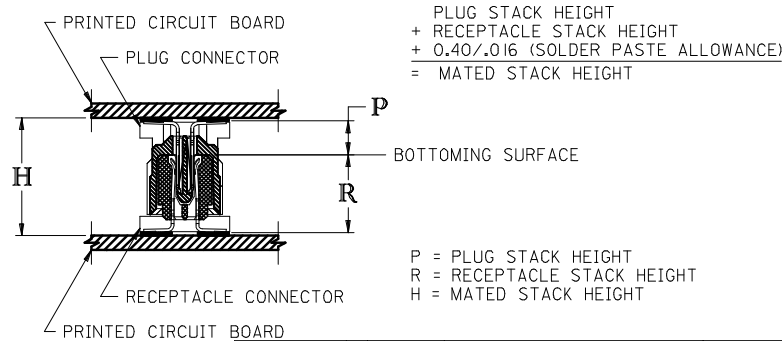
30 GOLD: SELECTIVE GOLD (Au) IN THE CONTACT AREA;
THICKNESS = 0.76 MICROMETERS (30 MICROINCHES) MINIMUM;
SELECTIVE TIN (Sn) IN THE PC TAIL AREA;
THICKNESS = 1.88 MICROMETERS (75 MICROINCHES) MINIMUM;
NICKEL UNDERPLATE OVERALL.

50 GOLD: SELECTIVE GOLD (Au) IN THE CONTACT AREA;
THICKNESS = 1.27 MICROMETERS (50 MICROINCHES) MINIMUM;
SELECTIVE TIN (Sn) IN THE PC TAIL AREA;
THICKNESS = 1.88 MICROMETERS (75 MICROINCHES) MINIMUM;
NICKEL UNDERPLATE OVERALL.

*THE PRIMARY SHIPPING CARTON WILL BE LABELED 'COMPLIANT TO RoHS DIRECTIVE 2002/95/EC AND ELV ANNEX II OF DIRECTIVE 2000/53/EC'. CARTONS WITHOUT THIS LABEL MAY CONTAIN PRODUCT WITH LEAD.

RECOMMENDED PLUG/RECEPTACLE COMBINATION FOR MATED STACK HEIGHT PER EIA STANDARD 700 AAAB

MATED STACK HEIGHT	RECEPTACLE HEIGHT	RECEPTACLE SERIES NO.	PLUG HEIGHT	PLUG SERIES NO.
14.00/.551	10.30/.406	71439-3***	3.30/.130	71436-1***
15.00/.591	10.30/.406	71439-3***	4.30/.169	71436-2***



CORRECT DESIGN UNITS EC NO: UCP2008-2484 DRAWN:MSI/BARRA 2008/04/22 CHKD:BBARKER 2008/05/06 APPR:SMILLER 2008/05/06	QUALITY SYMBOLS	GENERAL TOLERANCES (UNLESS SPECIFIED)	DIMENSION STYLE	SCALE	DESIGN UNITS	THIRD ANGLE PROJECTION	
	▽=0 ▽=0	mm INCH	MM/IN	---	METRIC		
		4 PLACES ±--- ±--- 3 PLACES ±--- ±--- 2 PLACES ±--- ±--- 1 PLACE ±--- ±---	DRAWN BY REED CHECKED BY REED APPROVED BY BIXLER	DATE 1995/03/23 DATE 1995/03/23 DATE 1995/03/23	TITLE ASSY 1.0MM BOARD-T-BOARD RECEPTACLE CONNECTOR 10.30/406 STACK HEIGHT		
		ANGULAR ±1/2°	MATERIAL NO. SEE TABLE	DOCUMENT NO. SDA-71439-3***	MOLEX INCORPORATED		
		DRAFT WHERE APPLICABLE MUST REMAIN WITHIN DIMENSIONS	THIS DRAWING CONTAINS INFORMATION THAT IS PROPRIETARY TO MOLEX INCORPORATED AND SHOULD NOT BE USED WITHOUT WRITTEN PERMISSION				