



Chipsmall Limited consists of a professional team with an average of over 10 year of expertise in the distribution of electronic components. Based in Hongkong, we have already established firm and mutual-benefit business relationships with customers from,Europe,America and south Asia,supplying obsolete and hard-to-find components to meet their specific needs.

With the principle of “Quality Parts,Customers Priority,Honest Operation,and Considerate Service”,our business mainly focus on the distribution of electronic components. Line cards we deal with include Microchip,ALPS,ROHM,Xilinx,Pulse,ON,Everlight and Freescale. Main products comprise IC,Modules,Potentiometer,IC Socket,Relay,Connector.Our parts cover such applications as commercial,industrial, and automotives areas.

We are looking forward to setting up business relationship with you and hope to provide you with the best service and solution. Let us make a better world for our industry!



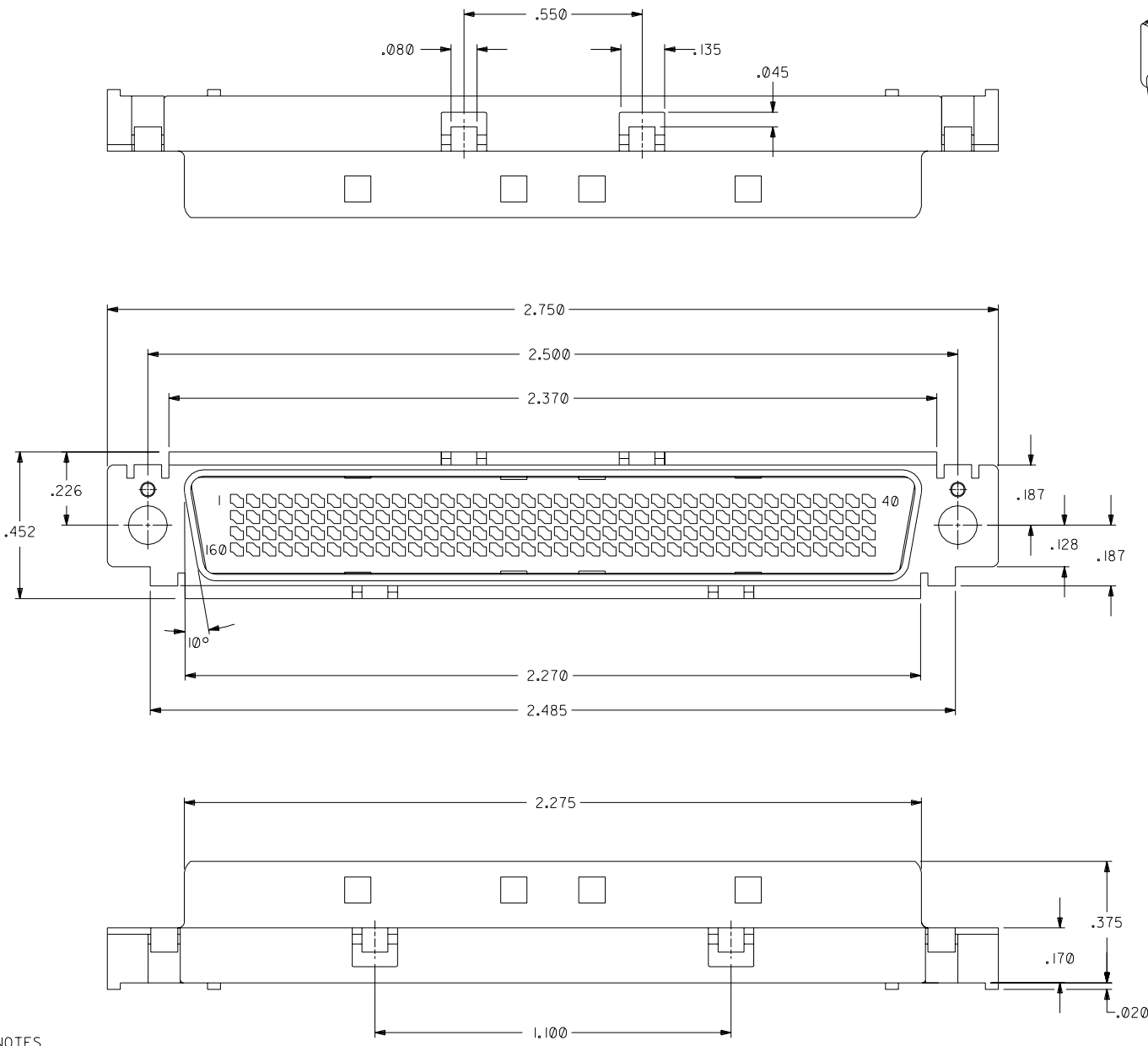
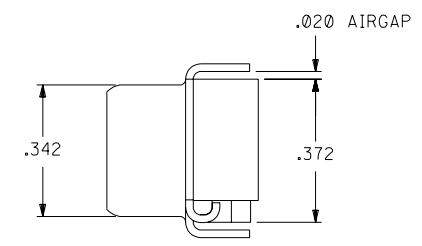
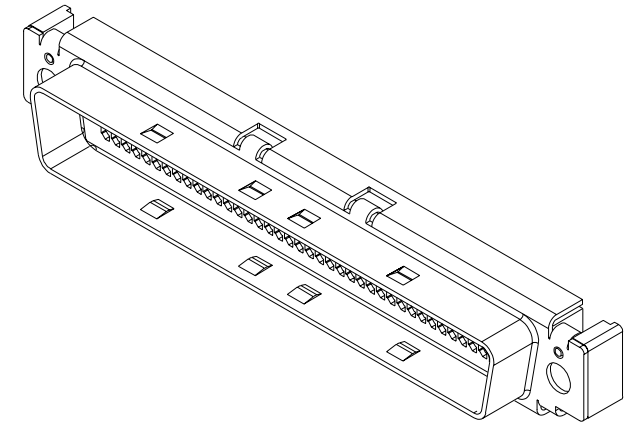
Contact us

Tel: +86-755-8981 8866 Fax: +86-755-8427 6832

Email & Skype: info@chipsmall.com Web: www.chipsmall.com

Address: A1208, Overseas Decoration Building, #122 Zhenhua RD., Futian, Shenzhen, China





NOTES

1. MATERIALS:
INSULATOR: GLASS FILLED LCP, 94V-0, COLOR BLACK.
SHIELD: DEEP DRAW STEEL, .020" THICK.
2. PLATING: 150-200 MICRO-INCHES BRIGHT TIN OVER NICKEL OVER COPPER FLASH.
3. CONFORMS TO PRODUCT SPECIFICATION PS-71626.
4. CONFORMS TO APPLICATION SPECIFICATION PS-71624.
5. INSERT MOLDED CONTACT STRIPS ARE SUPPLIED SEPARATELY, SEE SALES DRAWING# SDA-70984-4*** FOR ORDER NUMBERS.
6. BULK PACKAGING: 100 SUB-ASSEMBLIES PER CARTON

B1	ADDED -3001 UDT1999-0661 SCHMIDG 99/02/12
B	REVISED PER ECN U7-0417 SCHMIDG 96/11/08
A	FIRST RELEASE PER ECN# U4-0843 5/27/94 MOS

DIMENSIONS SHOWN (METRIC) INCH		▽ = 0	▼ = 0	REVISE ONLY ON CAD SYSTEM	
UNLESS OTHERWISE SPECIFIED TOLERANCES: ANGULAR ± 1/2°		TITLE			
3 PLACE ± .010		160 CKT LFH I/O PLUG HOUSING/SHIELD SUB ASSY. FOR CABLE APPLICATIONS			
2 PLACE ±		MOLEX INCORPORATED			
1 PLACE --- ±		SHEET NO. 1 OF 1		DATE 05/27/94	
DRAFT WHERE APPLICABLE MUST REMAIN WITHIN DIMENSIONS		PART NO. SEE CHART		DRWG. NO. SDA-71624-3000	
DRWG. BY MOS	CHK'D. BY DKS	FILE NAME 571624C1		THIS DRAWING CONTAINS INFORMATION THAT IS PROPRIETARY TO MOLEX INC. AND SHOULD NOT BE USED WITHOUT WRITTEN PERMISSION.	
APP'D. BY GF	SCALE 4: 1	DIV. CD		SIZE C	

71624-3001	WITH M-3 THREADED INSERT
71624-3000	WITHOUT M-3 THREADED INSERT
ITEM NUMBER	DESCRIPTION