



Chipsmall Limited consists of a professional team with an average of over 10 year of expertise in the distribution of electronic components. Based in Hongkong, we have already established firm and mutual-benefit business relationships with customers from,Europe,America and south Asia,supplying obsolete and hard-to-find components to meet their specific needs.

With the principle of “Quality Parts,Customers Priority,Honest Operation,and Considerate Service”,our business mainly focus on the distribution of electronic components. Line cards we deal with include Microchip,ALPS,ROHM,Xilinx,Pulse,ON,Everlight and Freescale. Main products comprise IC,Modules,Potentiometer,IC Socket,Relay,Connector.Our parts cover such applications as commercial,industrial, and automotives areas.

We are looking forward to setting up business relationship with you and hope to provide you with the best service and solution. Let us make a better world for our industry!



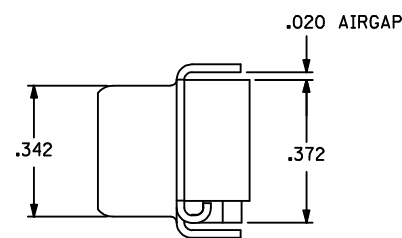
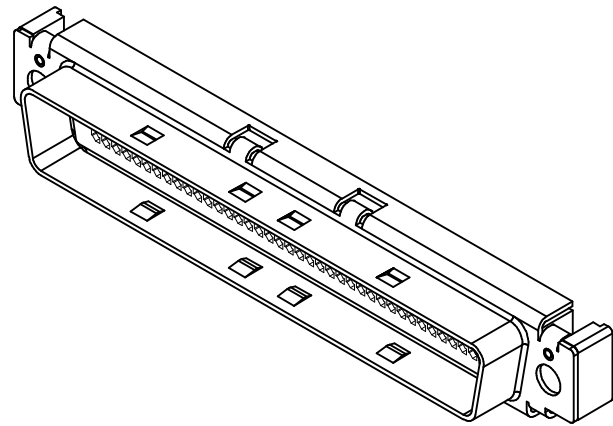
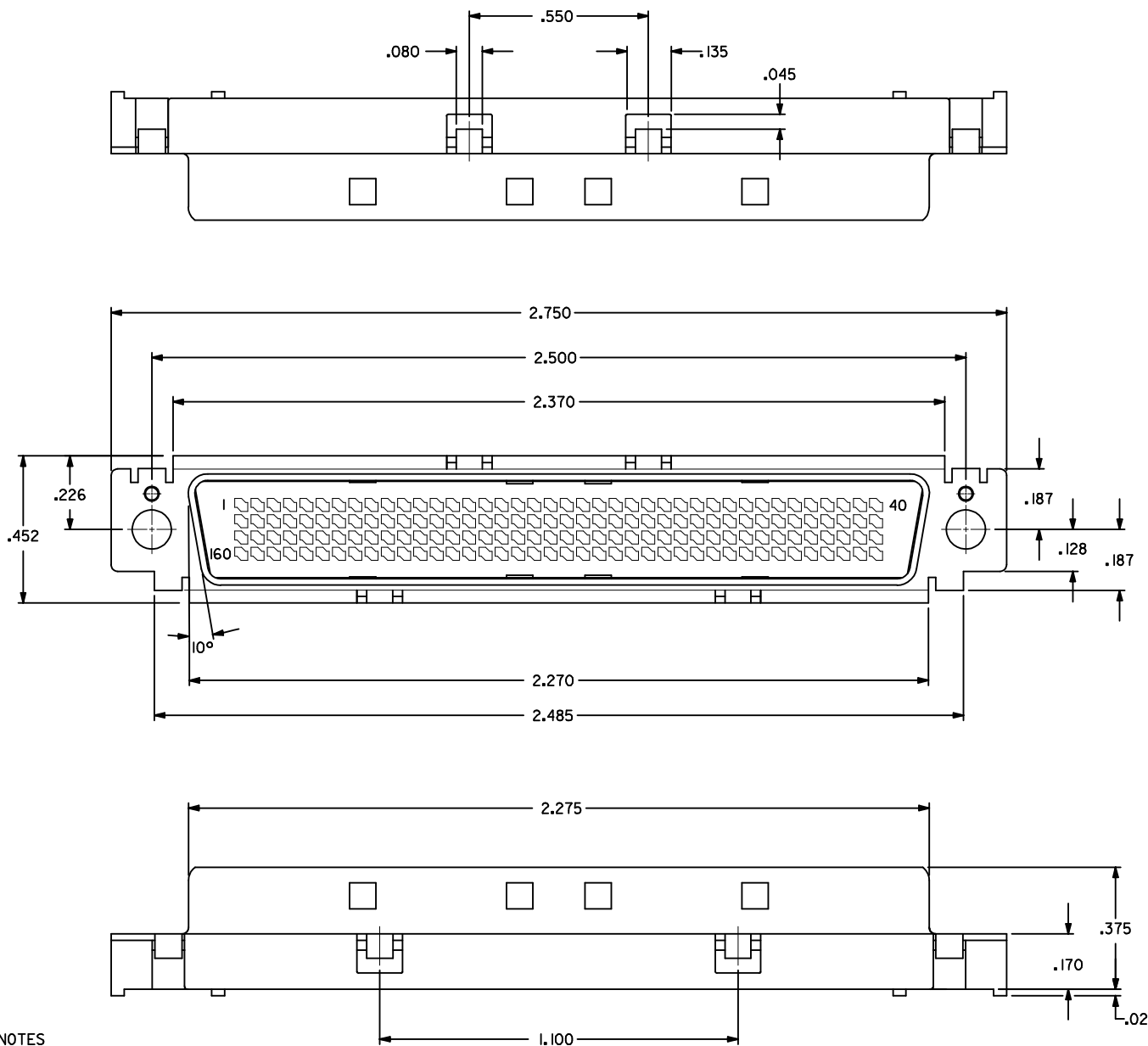
Contact us

Tel: +86-755-8981 8866 Fax: +86-755-8427 6832

Email & Skype: info@chipsmall.com Web: www.chipsmall.com

Address: A1208, Overseas Decoration Building, #122 Zhenhua RD., Futian, Shenzhen, China





NOTES

- MATERIALS:**
INSULATOR: GLASS FILLED LCP, 94V-0, COLOR BLACK.
SHIELD: DEEP DRAW STEEL, .020" THICK.
- PLATING: 100 MICRO-INCHES MINIMUM BRIGHT NICKEL OVER COPPER UNDERPLATE OVERALL.
- CONFORMS TO PRODUCT SPECIFICATION PS-71626.
- CONFORMS TO APPLICATION SPECIFICATION PS-71624.
- INSERT MOLDED CONTACT STRIPS ARE SUPPLIED SEPARATELY, SEE SALES DRAWING* SDA-70984-4*** FOR ORDER NUMBERS.
- BULK PACKAGING: 100 SUB-ASSEMBLIES PER CARTON

71624-3001	WITH M-3 THREADED INSERT
71624-3000	WITHOUT M-3 THREADED INSERT
ITEM NUMBER	DESCRIPTION

REVISION NOTE 2 EC NO: UCP2016-0871 DRWNSVANG01 2015/08/26 CHKD:DMORGAN 2015/08/26 APPR:SMILLER 2015/09/10	QUALITY SYMBOLS	GENERAL TOLERANCES (UNLESS SPECIFIED)	DIMENSION STYLE	SCALE	DESIGN UNITS	THIRD ANGLE PROJECTION
	▽=0	mm INCH	IN/MM	4:1	INCH	☉
	▽=0	4 PLACES ± --- ± ---	DRAWN BY DATE	TITLE		
	▽=0	3 PLACES ± --- ± ---	SVANG01 2015/08/26	160 CKT LFH I/O PLUG HSG/SHLD SUB. ASSY. FOR CABLE APPLICATION		

2 PLACES ± --- ± ---	CHECKED BY DATE	MATERIAL NO. SEE TABLE	DOCUMENT NO. SDA-71624-3000	SHEET NO. 1 OF 1
1 PLACE ± --- ± ---	DMORGAN 2015/08/26			
0 PLACE ± --- ± ---	APPROVED BY DATE	THIS DRAWING CONTAINS INFORMATION THAT IS PROPRIETARY TO MOLEX INCORPORATED AND SHOULD NOT BE USED WITHOUT WRITTEN PERMISSION		
	SMILLER 2015/09/10			

ANGULAR ±1/2°		THIS DRAWING CONTAINS INFORMATION THAT IS PROPRIETARY TO MOLEX INCORPORATED AND SHOULD NOT BE USED WITHOUT WRITTEN PERMISSION		
DRAFT WHERE APPLICABLE MUST REMAIN WITHIN DIMENSIONS				