



Chipsmall Limited consists of a professional team with an average of over 10 year of expertise in the distribution of electronic components. Based in Hongkong, we have already established firm and mutual-benefit business relationships with customers from,Europe,America and south Asia,supplying obsolete and hard-to-find components to meet their specific needs.

With the principle of “Quality Parts,Customers Priority,Honest Operation,and Considerate Service”,our business mainly focus on the distribution of electronic components. Line cards we deal with include Microchip,ALPS,ROHM,Xilinx,Pulse,ON,Everlight and Freescale. Main products comprise IC,Modules,Potentiometer,IC Socket,Relay,Connector.Our parts cover such applications as commercial,industrial, and automotives areas.

We are looking forward to setting up business relationship with you and hope to provide you with the best service and solution. Let us make a better world for our industry!



Contact us

Tel: +86-755-8981 8866 Fax: +86-755-8427 6832

Email & Skype: info@chipsmall.com Web: www.chipsmall.com

Address: A1208, Overseas Decoration Building, #122 Zhenhua RD., Futian, Shenzhen, China



NOTES:

1) MATERIALS:

HOUSING: GLASS FILLED LCP (LIQUID CRYSTAL POLYMER), UL 94V-0, BLACK.
 MOLDED STICK: GLASS FILLED LCP (LIQUID CRYSTAL POLYMER), UL 94V-0, BLACK.
 FEMALE CONTACT: BERYLLIUM COPPER .0100±.0005 THICK.
 OUTER SHELL: LOW CARBON STEEL.
 THREADED BOARD LOCK: BRASS.

2) PLATING :

CONTACT: .000030/(.00076) MINIMUM GOLD IN SELECTIVE AREA;
 .000100/(0.00254) MINIMUM TIN IN SELECTIVE AREA;
 OVER NICKEL UNDERPLATE OVERALL.

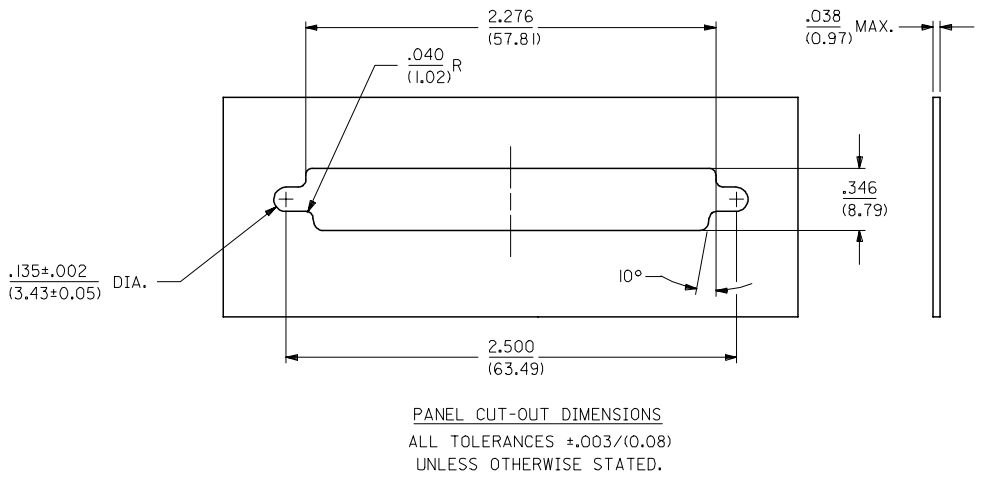
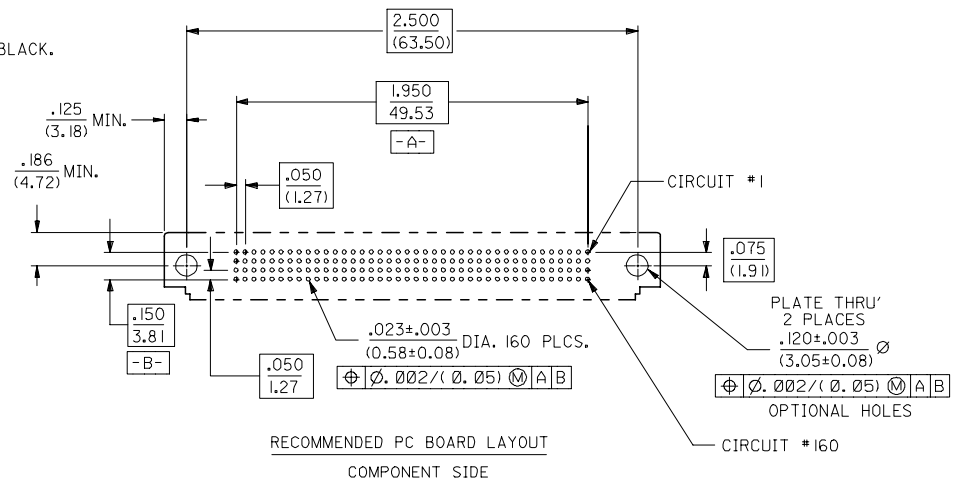
OUTER SHELL: .000100/(0.00254) MINIMUM BRIGHT NICKEL;
 OVER COPPER FLASH (OPTIONAL).

BOARDLOCK: .000150-.000200/(0.00381-0.00508) BRIGHT TIN;
 OVER .000050/(0.00127) MINIMUM NICKEL.

3) THIS PART CONFORMS TO MOLEX PRODUCT SPECIFICATION PS-71626.

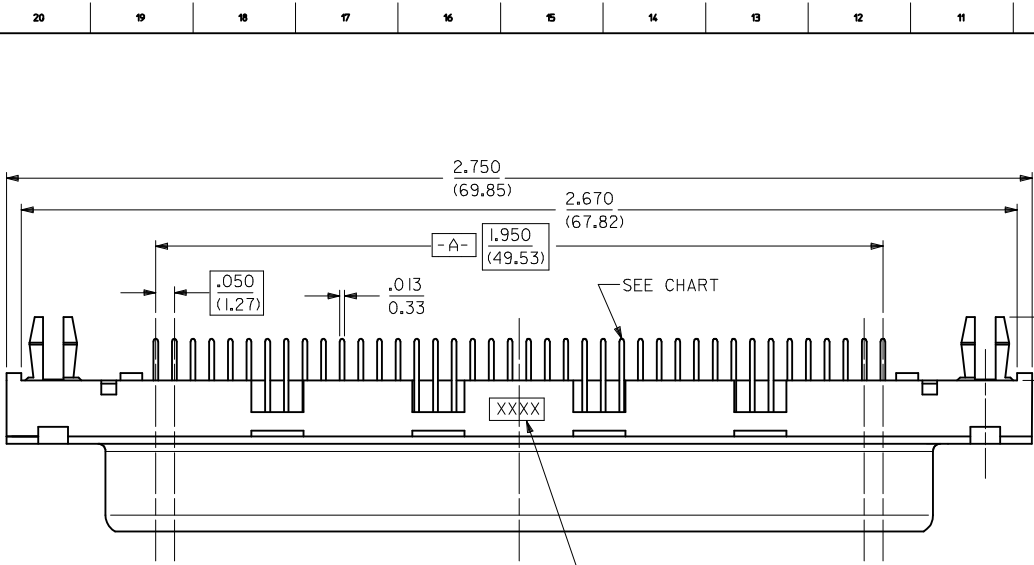
4) PART COMPLIES WITH CLASS B OF COSMETIC SPECIFICATION PS-45499-002

NOTE FOR LEAD FREE CONVERSION:
 THE PRIMARY SHIPPING CARTON WILL BE
 LABELED "COMPLIANT TO RoHS DIRECTIVE
 2002/95/EC AND ELV ANNEX II OF
 DIRECTIVE 2000/53/EC". CARTONS
 WITHOUT THIS LABEL MAY CONTAIN
 PRODUCT WITH LEAD.

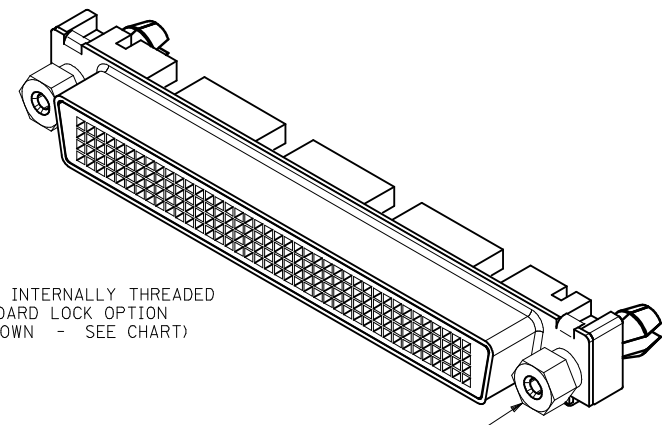


PANEL CUT-OUT DIMENSIONS
 ALL TOLERANCES ±.003/(0.08)
 UNLESS OTHERWISE STATED.

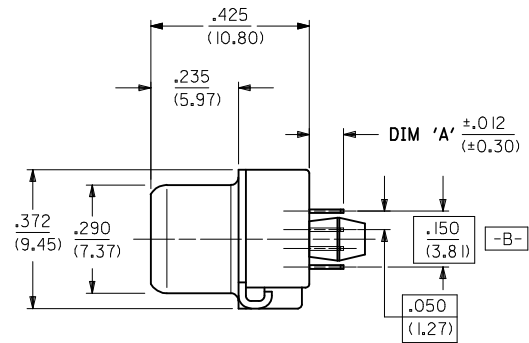
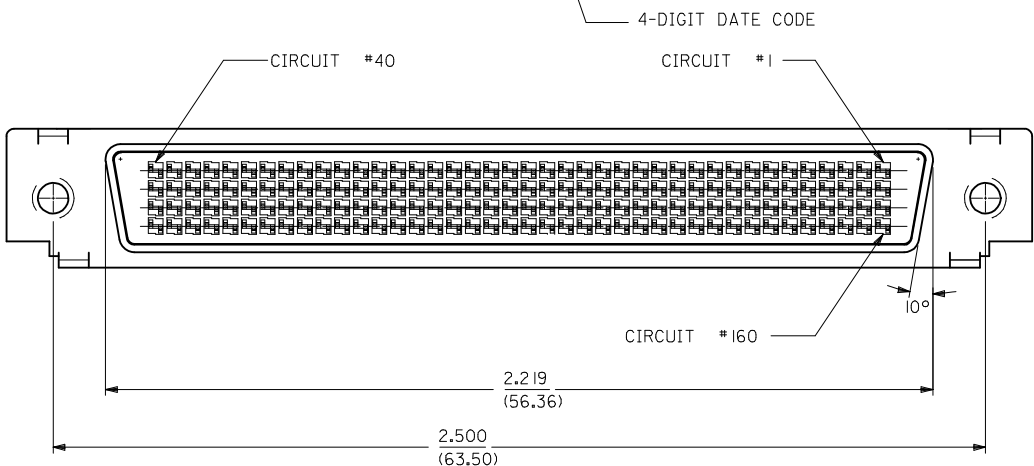
ADD NOTE 4 EC NO: UCP2006-3051 2006/07/10 DRAWN BY: BARRA 2006/07/10 CHKD: MORGAN 2006/07/10 APPR: MILLER 2006/07/11	QUALITY SYMBOLS ▽=0 ▽=0	GENERAL TOLERANCES (UNLESS SPECIFIED)		DIMENSION STYLE IN/MM		SCALE 2:1	DESIGN UNITS INCH	THIRD ANGLE PROJECTION	
		4 PLACES ± --- ± ---	mm	INCH	DRAWN BY	DATE	TITLE		
		3 PLACES ± --- ± ---			MOS	1994/08/24	.050 PITCH LFH 160 CKT		
		2 PLACES ± --- ± ---			CHECKED BY	DATE	VERTICAL I/O FEMALE		
1 PLACE ± --- ± ---			GF	1994/08/29	SALES ASSEMBLY				
		ANGULAR ±1/2°		APPROVED BY	DATE	molex MOLEX INCORPORATED			
				GF	1994/08/29	DOCUMENT NO.			
				MATERIAL NO.		SDA-71626-1***		SHEET NO.	
				DRAFT WHERE APPLICABLE MUST REMAIN WITHIN DIMENSIONS		SEE TABLE		2 OF 2	
				THIS DRAWING CONTAINS INFORMATION THAT IS PROPRIETARY TO MOLEX INCORPORATED AND SHOULD NOT BE USED WITHOUT WRITTEN PERMISSION					



.150 (3.81)
M3 INTERNALLY THREADED (BOARD LOCK OPTION SHOWN - SEE CHART)
.020 (0.51) STANDOFF HEIGHT



GUIDE SLEEVE
NOTE: THIS HARDWARE MUST BE USED TO ENSURE PROPER GROUNDING. SEE SDA-71629-****.



		OPTIONS						
ENG. NUMBER	ITEM NUMBER	DIM 'A'	M3 INSERT	BOARDLOCK	PACKAGING SPEC.	TRUE-POSITION		
A-71626-1000	051-24-1030	.092/(2.34)	YES	NO	PK-70873-297	⊕ .005/(0.13) Ⓜ	A B	
A-71626-1001	71626-1001	.092/(2.34)	YES	YES	PK-70873-297	⊕ .005/(0.13) Ⓜ	A B	
A-71626-1002	71626-1002	.092/(2.34)	NO	NO	PK-70873-297	⊕ .005/(0.13) Ⓜ	A B	
A-71626-1003	71626-1003	.125/(3.18)	YES	NO	PK-70873-297	⊕ .005/(0.13) Ⓜ	A B	
A-71626-1004	71626-1004	.125/(3.18)	YES	YES	PK-70873-297	⊕ .005/(0.13) Ⓜ	A B	
A-71626-1005	71626-1005	.125/(3.18)	NO	NO	PK-70873-297	⊕ .005/(0.13) Ⓜ	A B	
A-71626-1006	71626-1006	.177/(4.49)	YES	NO	PK-70873-1005	⊕ .020/(0.51) Ⓜ	A B	
A-71626-1007	71626-1007	.210/(5.33)	YES	NO	PK-70873-1005	⊕ .020/(0.51) Ⓜ	A B	

SEE SHEET 2 EC NO: UCP2010-0117 DRWNS/DANIELLY 2009/07/23 CHYK/DJORGAN 2009/07/24 APPR/SKILLER 2009/07/24	QUALITY SYMBOLS ▽=0 ▽=0	GENERAL TOLERANCES (UNLESS SPECIFIED): mm INCH		DIMENSION STYLE MM ONLY	SCALE METRIC	DESIGN UNITS Ⓜ THIRD ANGLE PROJECTION
		4 PLACES ±--- ±--- 3 PLACES ±--- ±--- 2 PLACES ±--- ±--- 1 PLACE ±--- ±---	DRAWN BY MOS DATE 1994/08/29	CHECKED BY GF DATE 1994/08/29	APPROVED BY GF DATE 1994/08/29	TITLE .050 PITCH LFH 160 CKT VERTICAL I/O FEMALE SALES ASSEMBLY
		ANGULAR ±1/2°		MATERIAL NO. SEE TABLE	DOCUMENT NO. SDA-71626-1****	MOLEX INCORPORATED
		DRAFT WHERE APPLICABLE MUST REMAIN WITHIN DIMENSIONS		SIZE D	THIS DRAWING CONTAINS INFORMATION THAT IS PROPRIETARY TO MOLEX INCORPORATED AND SHOULD NOT BE USED WITHOUT WRITTEN PERMISSION	SHEET NO. 1 OF 2

NOTES:

1) MATERIALS:

HOUSING: GLASS FILLED LCP (LIQUID CRYSTAL POLYMER), UL 94V-0, BLACK.
 MOLDED STICK: GLASS FILLED LCP (LIQUID CRYSTAL POLYMER), UL 94V-0, BLACK.
 FEMALE CONTACT: HIGH PERFORMANCE COPPER ALLOY
 OUTER SHELL: LOW CARBON STEEL.
 THREADED BOARD LOCK: BRASS.

2) PLATING :

CONTACT: 30 microinches / 0.76 micrometer MIN. GOLD IN SELECTIVE AREA;
 100 microinches / 2.54 micrometers MIN. TIN SELECTIVE AREA;
 OVER NICKEL UNDERPLATE OVERALL.

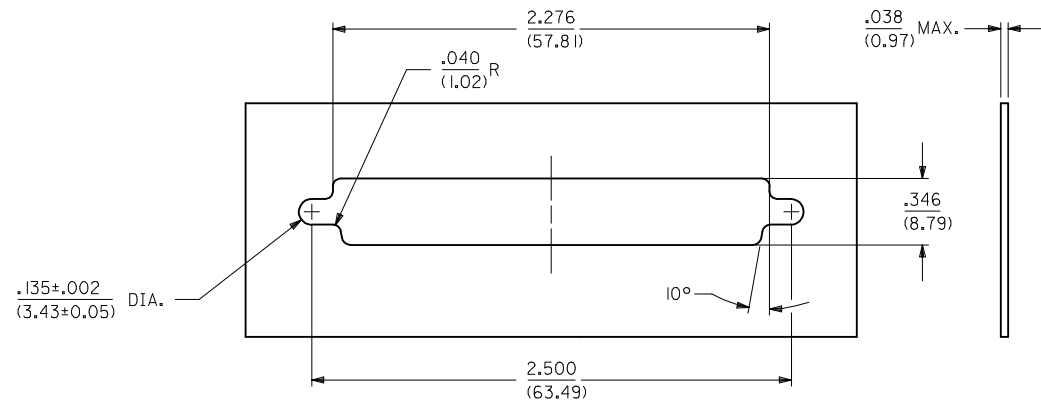
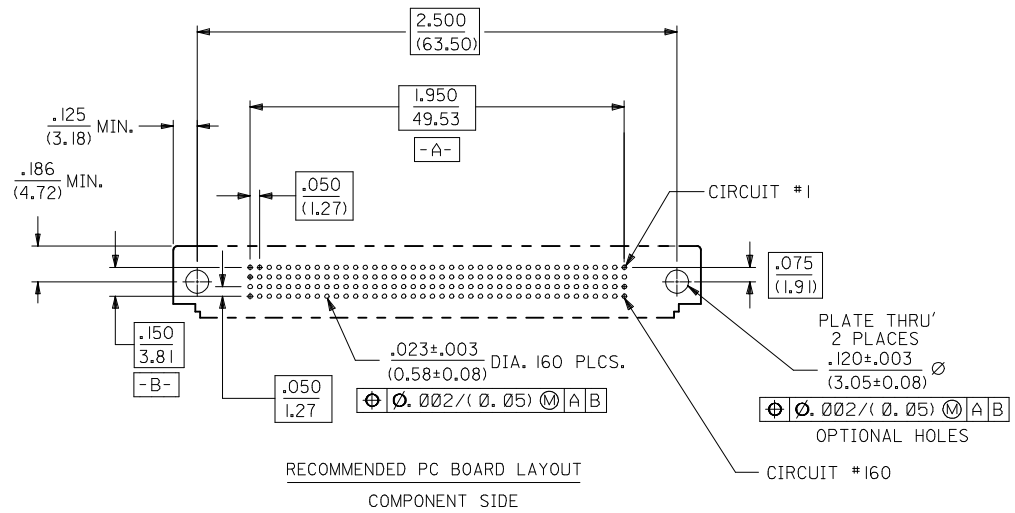
OUTER SHELL: 100 microinches / 2.54 micrometers MINIMUM BRIGHT NICKEL;
 OVER COPPER FLASH (OPTIONAL).

BOARDLOCK: 150 microinches / 3.81 micrometers MINIMUM BRIGHT TIN;
 NICKEL UNDERPLATE.

3) THIS PART CONFORMS TO MOLEX PRODUCT SPECIFICATION PS-71626.

4) PART COMPLIES WITH CLASS B OF COSMETIC SPECIFICATION PS-45499-002.

5) PARTS PACKAGED PER PK-70873-0299.



PANEL CUT-OUT DIMENSIONS
 ALL TOLERANCES ±.003/(0.08)
 UNLESS OTHERWISE STATED.

REVISE NOTES EC NO: UCP2010-0117 DRWNS: DANIELLY 2009/07/23 CHKD: DMORGAN 2009/07/24 APPR: SMILLER 2009/07/24	QUALITY SYMBOLS ▽=0 ▽=0	GENERAL TOLERANCES (UNLESS SPECIFIED)		DIMENSION STYLE MM ONLY		SCALE	DESIGN UNITS METRIC	THIRD ANGLE PROJECTION			
		4 PLACES ± --- ± ---	3 PLACES ± --- ± ---	2 PLACES ± --- ± ---	1 PLACE ± --- ± ---	DRAWN BY MOS	DATE 1994/08/29	TITLE	.050 PITCH LFH 160 CKT VERTICAL I/O FEMALE SALES ASSEMBLY		
		ANGULAR ±1/2°				CHECKED BY GF	DATE 1994/08/29	MOLEX INCORPORATED			
		DRAFT WHERE APPLICABLE MUST REMAIN WITHIN DIMENSIONS				APPROVED BY GF	DATE 1994/08/29	MATERIAL NO. SEE TABLE	DOCUMENT NO. SDA-71626-1****	SHEET NO. 2 OF 2	

THIS DRAWING CONTAINS INFORMATION THAT IS PROPRIETARY TO MOLEX INCORPORATED AND SHOULD NOT BE USED WITHOUT WRITTEN PERMISSION