



Chipsmall Limited consists of a professional team with an average of over 10 year of expertise in the distribution of electronic components. Based in Hongkong, we have already established firm and mutual-benefit business relationships with customers from,Europe,America and south Asia,supplying obsolete and hard-to-find components to meet their specific needs.

With the principle of "Quality Parts,Customers Priority,Honest Operation,and Considerate Service",our business mainly focus on the distribution of electronic components. Line cards we deal with include Microchip,ALPS,ROHM,Xilinx,Pulse,ON,Everlight and Freescale. Main products comprise IC,Modules,Potentiometer,IC Socket,Relay,Connector.Our parts cover such applications as commercial,industrial, and automotives areas.

We are looking forward to setting up business relationship with you and hope to provide you with the best service and solution. Let us make a better world for our industry!



Contact us

Tel: +86-755-8981 8866 Fax: +86-755-8427 6832

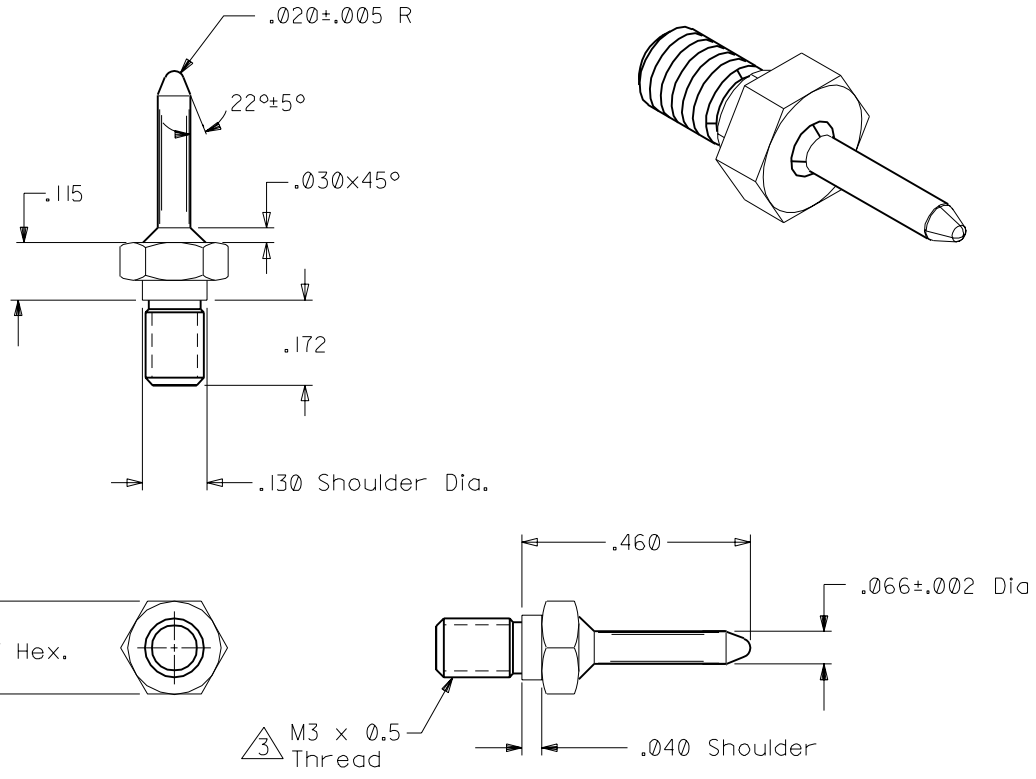
Email & Skype: info@chipsmall.com Web: www.chipsmall.com

Address: A1208, Overseas Decoration Building, #122 Zhenhua RD., Futian, Shenzhen, China



Notes:

1. Material: Heat Treated Steel.
2. Finish: Nickel Plate.
3. Maximum Assembly Torque: 5 in-lbs.
4. Socket Size: 3/16".



E	REVISED PER UDT2001-1175 SCHMIDG 01/04/26
DI	Added "Mating HRD" PER ECN U6-1418 DRS 05/13/96
D	Added -3000 ECN #U50846 DRS 04/11/95
C	Added Dims ECN #40107 DKS 2-14-94
B	Tip Rad Was .005 ECN #31700 DKS 11-12-93
A	RELEASED PER ECN# U30178 MOS 5/6/93

MFG.	SH.	REV.	LTR.	REVISIONS
------	-----	------	------	-----------

DIMENSIONS SHOWN (METRIC) INCH		$\nabla = 0$ $\blacktriangledown = 0$ REVISE ONLY ON CAD SYSTEM													
UNLESS OTHERWISE SPECIFIED TOLERANCES: ANGULAR = $1/2^\circ$															
<table border="1"> <thead> <tr> <th></th> <th>INCH</th> <th>METRIC</th> </tr> </thead> <tbody> <tr> <td>3 PLACE</td> <td>$\pm .010$</td> <td>---</td> </tr> <tr> <td>2 PLACE</td> <td>\pm</td> <td>\pm</td> </tr> <tr> <td>1 PLACE</td> <td>---</td> <td>\pm</td> </tr> </tbody> </table>			INCH	METRIC	3 PLACE	$\pm .010$	---	2 PLACE	\pm	\pm	1 PLACE	---	\pm	TITLE Guide Pin LFH Connector System	
	INCH	METRIC													
3 PLACE	$\pm .010$	---													
2 PLACE	\pm	\pm													
1 PLACE	---	\pm													
DRAFT WHERE APPLICABLE MUST REMAIN WITHIN DIMENSIONS		Molex MOLEX INCORPORATED LISLE, ILL. 60532 U.S.A.													
DRWG. BY: MOS CHK'D BY: BIXLER APP'D BY: BIXLER SCALE: 4:1		SHEET NO. 1 of 1 DATE 03/11/93 PART NO. 71628-3000 DRWG. NO. SDA-71628-*****													
FILE NAME: S71628x1 DGN THIS DRAWING CONTAINS INFORMATION THAT IS PROPRIETARY TO MOLEX INC. AND SHOULD NOT BE USED WITHOUT WRITTEN PERMISSION.		DIV. CD SIZE B													