



Chipsmall Limited consists of a professional team with an average of over 10 year of expertise in the distribution of electronic components. Based in Hongkong, we have already established firm and mutual-benefit business relationships with customers from,Europe,America and south Asia,supplying obsolete and hard-to-find components to meet their specific needs.

With the principle of “Quality Parts,Customers Priority,Honest Operation,and Considerate Service”,our business mainly focus on the distribution of electronic components. Line cards we deal with include Microchip,ALPS,ROHM,Xilinx,Pulse,ON,Everlight and Freescale. Main products comprise IC,Modules,Potentiometer,IC Socket,Relay,Connector.Our parts cover such applications as commercial,industrial, and automotives areas.

We are looking forward to setting up business relationship with you and hope to provide you with the best service and solution. Let us make a better world for our industry!



Contact us

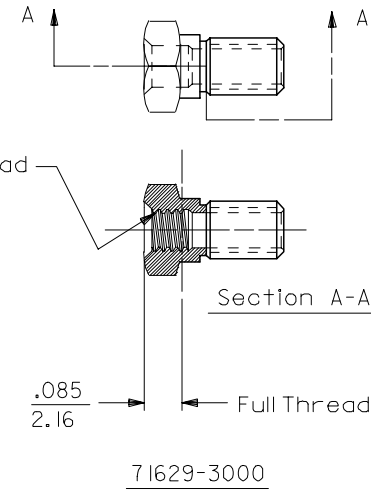
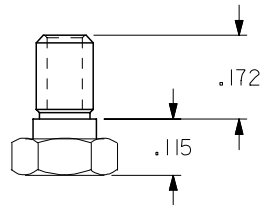
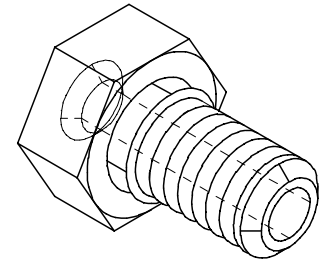
Tel: +86-755-8981 8866 Fax: +86-755-8427 6832

Email & Skype: info@chipsmall.com Web: www.chipsmall.com

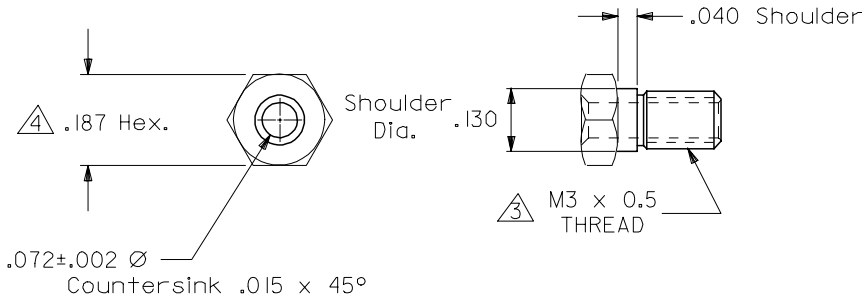
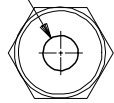
Address: A1208, Overseas Decoration Building, #122 Zhenhua RD., Futian, Shenzhen, China



ENGINEERING NO.	PART NO.	DESCRIPTION
71629-3000	71629-3000	INTERNAL THREADS
71629-4000	71629-4000	LEAD-IN COUNTERSINK



71629-4000:
Countersink .050 x 45°



- NOTES:
1. MATERIAL: COLD DRAWN STEEL.
 2. FINISH: NICKEL PLATED.
 3. MAXIMUM APPLIED BODY TORQUE: 5 IN-LBS.
 4. SOCKET SIZE: 3/16 IN.
 5. TO BE BULK PACKED IN A BAG WITH A QUANTITY OF 500 PARTS PER BAG

ADD NOTE 5 EC NO: UCP2008-0088 TDRWNMSIBARRA 2007/07/26 CHKD:MORGAN 2007/08/06 APPR:SMILLER 2007/08/08	QUALITY SYMBOLS	GENERAL TOLERANCES (UNLESS SPECIFIED)	DIMENSION STYLE INCH ONLY	SCALE 4:1	DESIGN UNITS INCH	THIRD ANGLE PROJECTION
	▽=0 ▽=0	4 PLACES ± --- ± --- 3 PLACES ± --- ± .010 2 PLACES ± --- ± --- 1 PLACE ± --- ± --- ANGULAR ±1/2°	DRAWN BY: MOS DATE: 1993/03/11 CHECKED BY: BIXLER DATE: 1993/03/11 APPROVED BY: BIXLER DATE: 1993/03/11	TITLE: GUIDE SLEEVE LFH CONNECTOR SYSTEM		
	DRAFT WHERE APPLICABLE MUST REMAIN WITHIN DIMENSIONS	MATERIAL NO. SEE TABLE	MOLEX INCORPORATED			
		SHEET NO. 1 OF 1	DOCUMENT NO. SDA-71629-***			
		THIS DRAWING CONTAINS INFORMATION THAT IS PROPRIETARY TO MOLEX INCORPORATED AND SHOULD NOT BE USED WITHOUT WRITTEN PERMISSION				