



Chipsmall Limited consists of a professional team with an average of over 10 year of expertise in the distribution of electronic components. Based in Hongkong, we have already established firm and mutual-benefit business relationships with customers from,Europe,America and south Asia,supplying obsolete and hard-to-find components to meet their specific needs.

With the principle of “Quality Parts,Customers Priority,Honest Operation,and Considerate Service”,our business mainly focus on the distribution of electronic components. Line cards we deal with include Microchip,ALPS,ROHM,Xilinx,Pulse,ON,Everlight and Freescale. Main products comprise IC,Modules,Potentiometer,IC Socket,Relay,Connector.Our parts cover such applications as commercial,industrial, and automotives areas.

We are looking forward to setting up business relationship with you and hope to provide you with the best service and solution. Let us make a better world for our industry!



Contact us

Tel: +86-755-8981 8866 Fax: +86-755-8427 6832

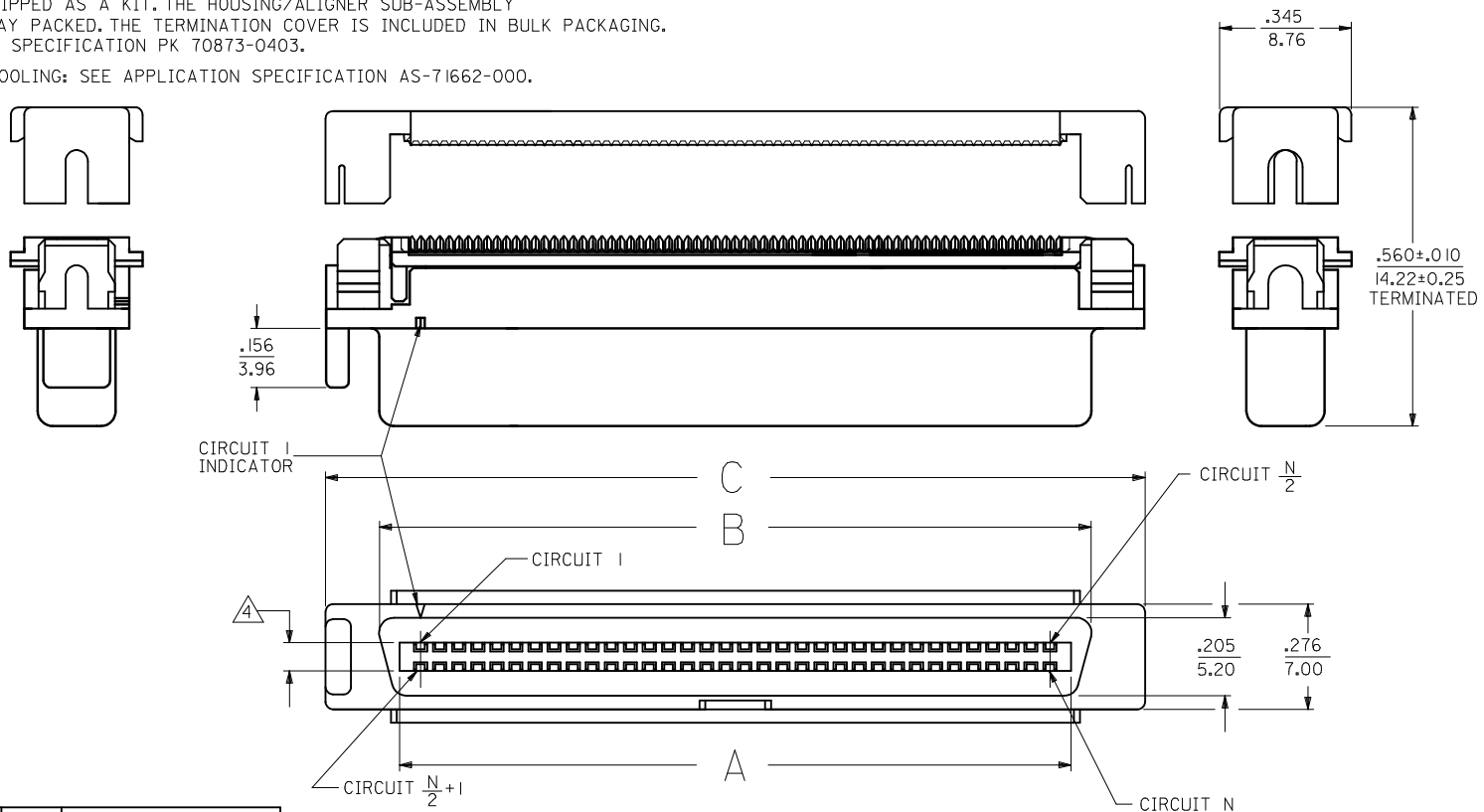
Email & Skype: info@chipsmall.com Web: www.chipsmall.com

Address: A1208, Overseas Decoration Building, #122 Zhenhua RD., Futian, Shenzhen, China



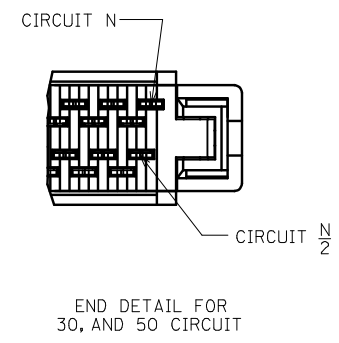
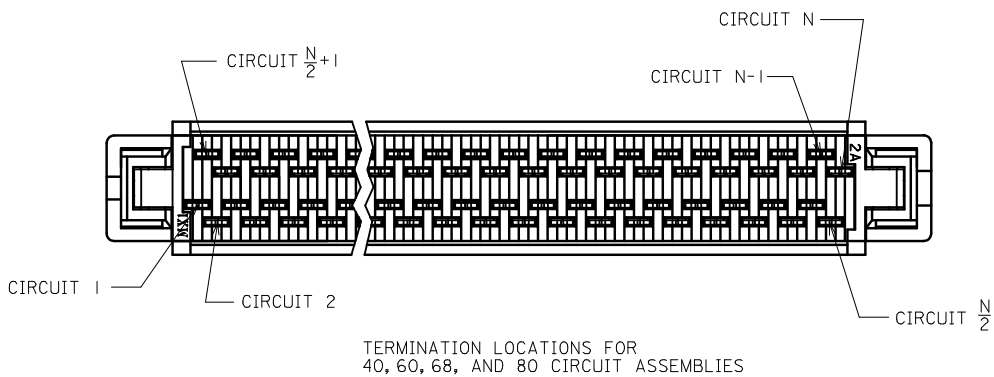
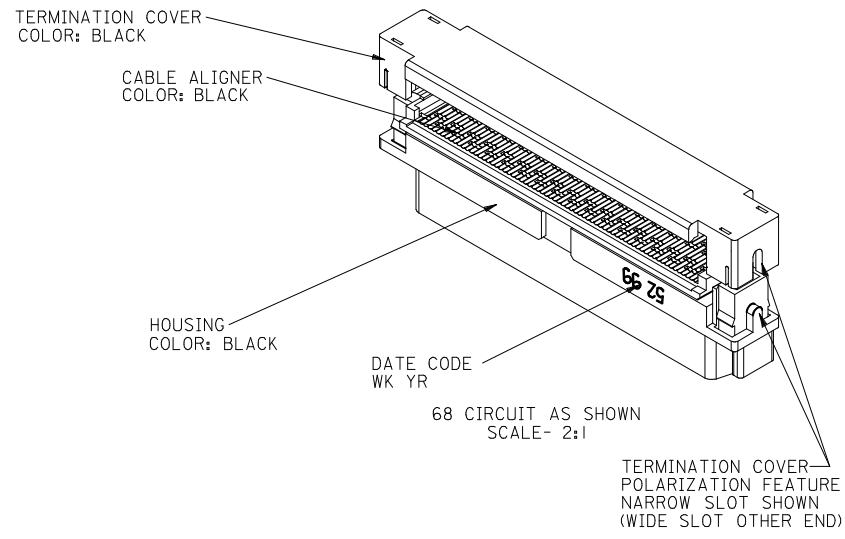
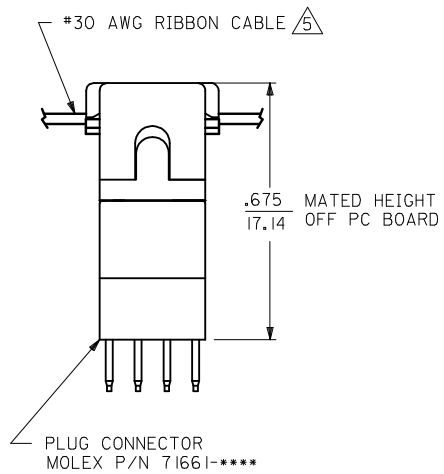
NOTES:

- 1) MATERIALS:
HOUSING- LCP, GLASS FILLED, 94V-0, BLACK.
ALIGNER, TERMINATION COVER- POLYESTER, GLASS FILLED, 94V-0, BLACK.
TERMINALS- PHOSPHOR BRONZE ALLOY.
- 2) FINISH:
SELECTIVE GOLD IN CONTACT AREA
THICKNESS = 30 MICROINCHES / 0.763 MICROMETERS
SELECTIVE TIN IN IDT AREA
THICKNESS = 50 MICROINCHES / 1.27 MICROMETERS
NICKEL UNDERPLATE OVERALL.
- 3) PRODUCT SPECIFICATION: PS-71660.
- 4) ASSEMBLY MATES WITH MOLEX P/N 71661-****.
CONNECTOR WILL ACCEPT MATING TO A P.C. BOARD WITH
A THICKNESS OF .062±.003.
- 5) CONNECTOR WILL TERMINATE .025 ϕ FLAT RIBBON CABLES OF THE FOLLOWING CONSTRUCTION:
#30 AWG STRANDED OR SOLID, PVC INSULATION.
#30 AWG SOLID, FEP INSULATION.
- 6) PRODUCT IS SHIPPED AS A KIT. THE HOUSING/ALIGNER SUB-ASSEMBLY
IS SHIPPED TRAY PACKED. THE TERMINATION COVER IS INCLUDED IN BULK PACKAGING.
PER PACKAGING SPECIFICATION PK 70873-0403.
- 7) APPLICATION TOOLING: SEE APPLICATION SPECIFICATION AS-71662-000.

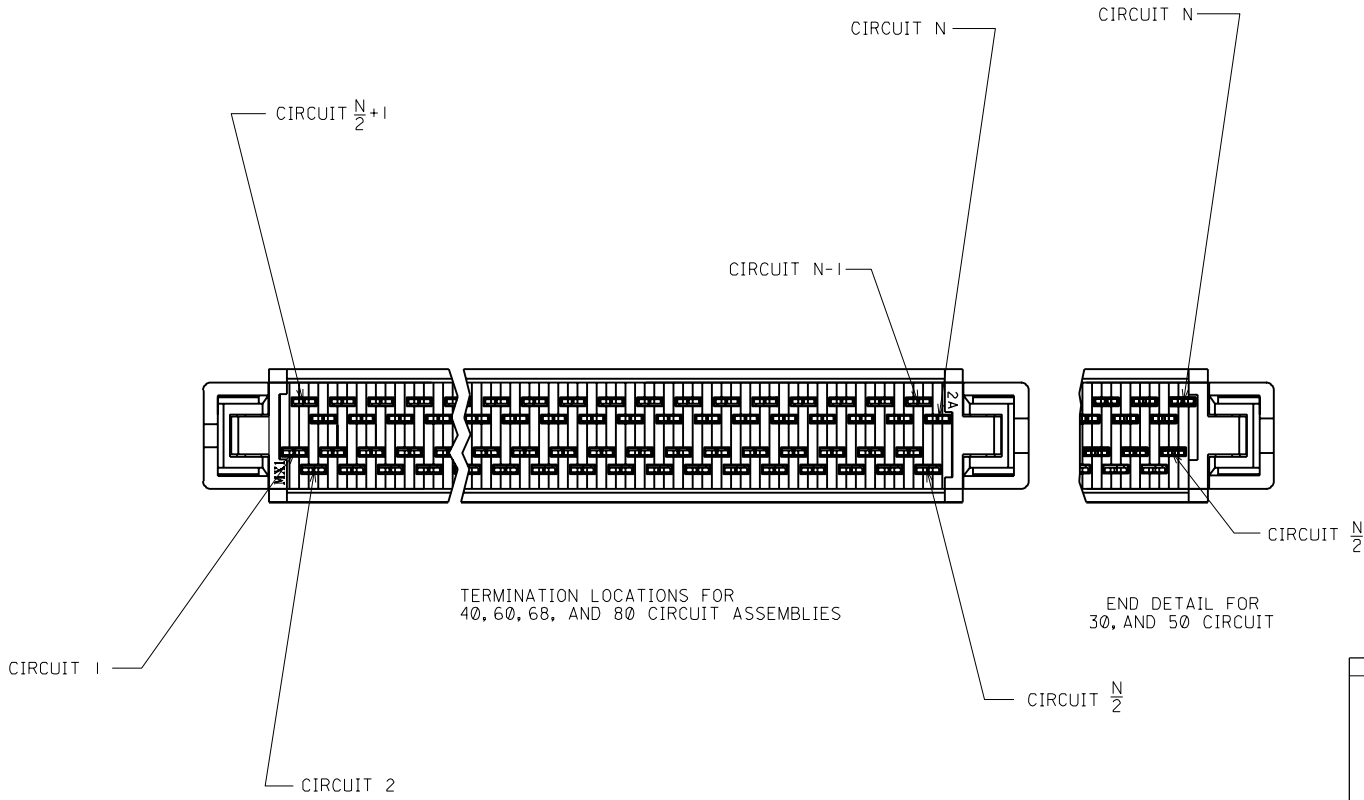
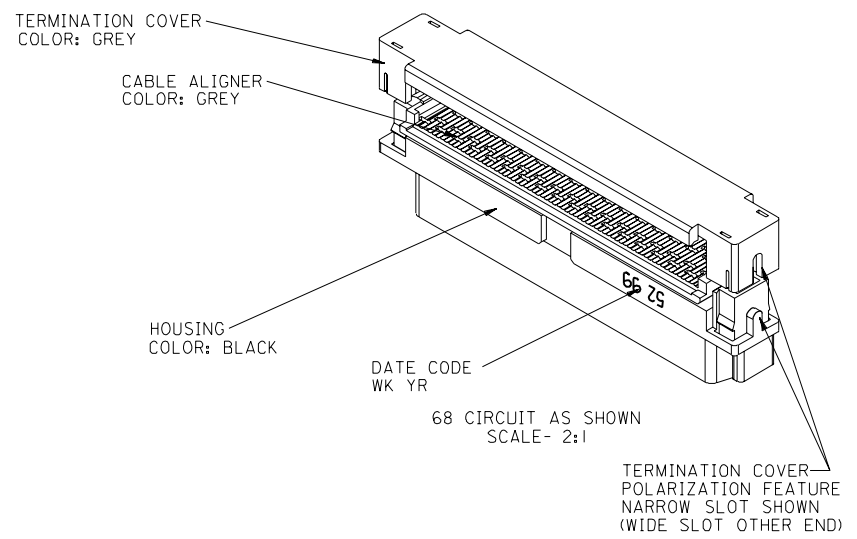
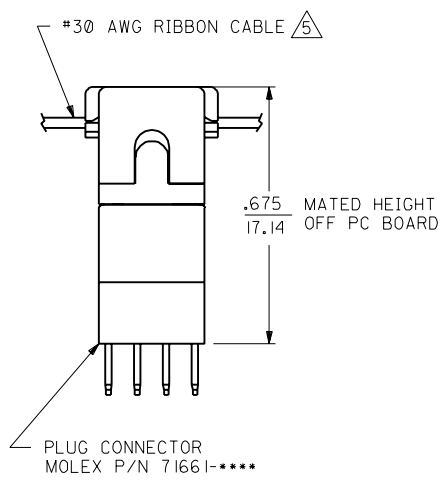


2.445 (62.10)	2.166 (55.02)	2.025 (51.43)	80	71660-3580
2.145 (54.48)	1.866 (47.40)	1.725 (43.81)	68	71660-3568
1.945 (49.40)	1.666 (42.32)	1.525 (38.74)	60	71660-3560
1.695 (43.05)	1.416 (35.97)	1.275 (32.38)	50	71660-3550
1.445 (36.70)	1.166 (29.62)	1.025 (26.04)	40	71660-3540
1.195 (30.35)	.916 (23.27)	.775 (19.68)	30	71660-3530
C	B	A	CKT "N"	MATERIAL NUMBER

REV	DESCRIPTION	QUALITY SYMBOLS	GENERAL TOLERANCES (UNLESS SPECIFIED)		DIMENSION STYLE		SCALE	DESIGN UNITS	THIRD ANGLE PROJECTION
			mm	INCH	IN/MM				
			4 PLACES	± ---	± ---				
			3 PLACES	± ---	± .005				
			2 PLACES	± 0.13	± .010				
			1 PLACE	± 0.25	± ---				
			0 PLACE	± ---	± ---				
			ANGULAR ±1/2°						
			DRAFT WHERE APPLICABLE MUST REMAIN WITHIN DIMENSIONS						
			SIZE		SEE TABLE				
			MATERIAL NO.		DOCUMENT NO.				
			SALES ASSEMBLY		SDA-71660-35**				
			Ebbi IDT RECEPTACLE		1 OF 2				
			THIS DRAWING CONTAINS INFORMATION THAT IS PROPRIETARY TO MOLEX INCORPORATED AND SHOULD NOT BE USED WITHOUT WRITTEN PERMISSION						



SEE SHEET 1 EC NO: UCP2016-1505 DRWN:BBARKER 2015/10/07 CHKD:DMORGAN APPR:SMILLER 2015/10/16	QUALITY SYMBOLS ▽=0 ▽=0 ▽=0	GENERAL TOLERANCES (UNLESS SPECIFIED) mm INCH 4 PLACES ± --- ± --- 3 PLACES ± --- ± .005 2 PLACES ± 0.13 ± .010 1 PLACE ± 0.25 ± --- 0 PLACE ± --- ± ---	DIMENSION STYLE IN/MM DRAWN BY DATE BBARKER 2015/10/07 CHECKED BY DATE DMORGAN 2015/10/07 APPROVED BY DATE SMILLER 2015/10/16	SCALE 4:1 DESIGN UNITS INCH	THIRD ANGLE PROJECTION	
	SALES ASSEMBLY EBBI IDT RECEPTACLE		molex			
	ANGULAR ±1/2° DRAFT WHERE APPLICABLE MUST REMAIN WITHIN DIMENSIONS		MATERIAL NO. SEE TBL, SHT 1		DOCUMENT NO. SDA-71660-35**	SHEET NO. 2 OF 2
	THIS DRAWING CONTAINS INFORMATION THAT IS PROPRIETARY TO MOLEX INCORPORATED AND SHOULD NOT BE USED WITHOUT WRITTEN PERMISSION					



71660

A	SEE SHEET 1		
MFG. SH.	REV.	LTR.	REVISIONS

DIMENSIONS SHOWN (METRIC) INCH		UNLESS OTHERWISE SPECIFIED TOLERANCES ANGULAR $\pm 1/2^\circ$	
3 PLACE	$\pm .005$	---	---
2 PLACE	$\pm .01$	± 0.13	
1 PLACE	---	± 0.25	
DRAFT WHERE APPLICABLE MUST REMAIN WITHIN DIMENSIONS			
DRWG. BY: DGA	CHK'D. BY: DGA	TITLE: SALES ASSEMBLY EBBI VERTICAL IDT RECEPTACLE FOR PVC AND FEP RIBBON CA	
APP'D. BY: MGB	SCALE: 4: 1	FROM: MOLEX INCORPORATED L15LE,ILL. 60532 U.S.A.	SHEET NO. DATE: 2 00/02/22
SEE TABLE		PART NO. DRWG. NO. SDA-71660-35	
THIS DRAWING CONTAINS INFORMATION THAT IS PROPRIETARY TO MOLEX INC. AND SHOULD NOT BE USED WITHOUT WRITTEN PERMISSION.		FILE NAME	DIV. SIZE: C C