



Chipsmall Limited consists of a professional team with an average of over 10 year of expertise in the distribution of electronic components. Based in Hongkong, we have already established firm and mutual-benefit business relationships with customers from,Europe,America and south Asia,supplying obsolete and hard-to-find components to meet their specific needs.

With the principle of “Quality Parts,Customers Priority,Honest Operation,and Considerate Service”,our business mainly focus on the distribution of electronic components. Line cards we deal with include Microchip,ALPS,ROHM,Xilinx,Pulse,ON,Everlight and Freescale. Main products comprise IC,Modules,Potentiometer,IC Socket,Relay,Connector.Our parts cover such applications as commercial,industrial, and automotives areas.

We are looking forward to setting up business relationship with you and hope to provide you with the best service and solution. Let us make a better world for our industry!



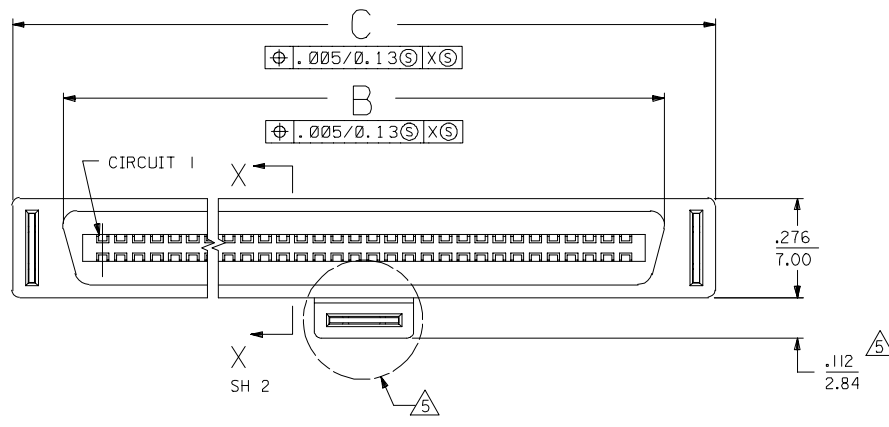
Contact us

Tel: +86-755-8981 8866 Fax: +86-755-8427 6832

Email & Skype: info@chipsmall.com Web: www.chipsmall.com

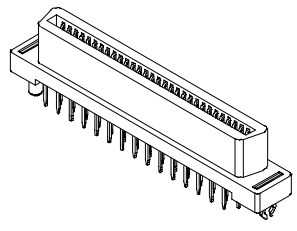
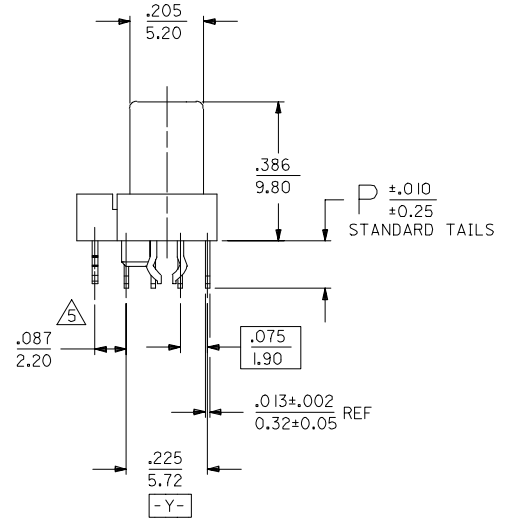
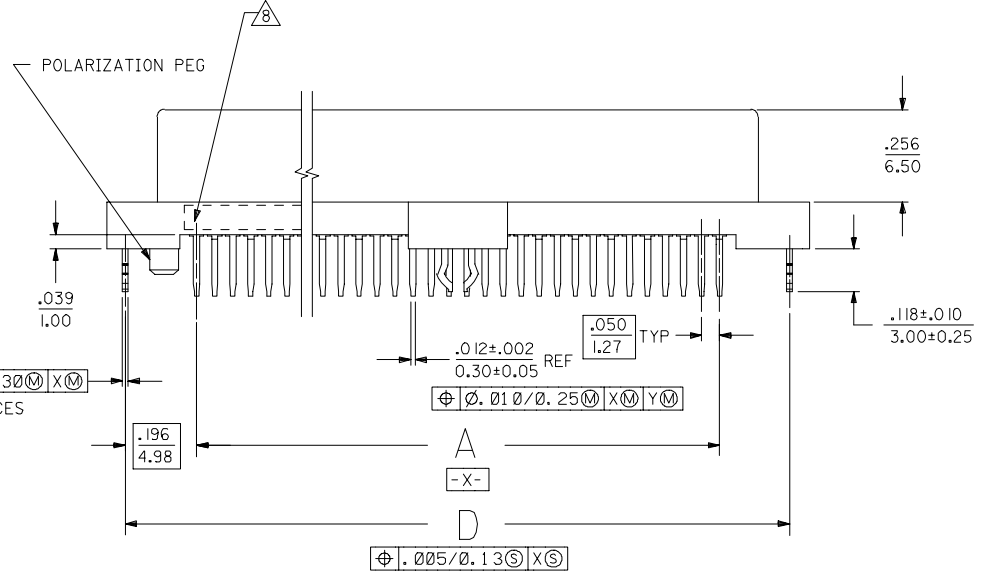
Address: A1208, Overseas Decoration Building, #122 Zhenhua RD., Futian, Shenzhen, China





NOTES:

- 1) MATERIALS:
HOUSING- LCP, GLASS FILLED, 94V-0, BLACK.
TERMINALS- COPPER ALLOY
METAL PEGS- COPPER ALLOY
 - 2) FINISH:
TERMINALS:
.000030/(0.00076) MINIMUM GOLD IN CONTACT AREA OVER
.000050/(0.00127) MINIMUM TIN IN TAIL AREA OVER
.000075/(0.00191) MINIMUM NICKEL UNDERPLATE OVERALL.
 - 3) ASSEMBLY MATES WITH MOLEX P/N SDA-71661-****.
 - 4) CONFORMS TO PRODUCT SPECIFICATION PS-71660.
- 5) CENTER PEG IS ONLY ON I20 AND I30 CIRCUIT ASSEMBLIES.
- 6) RECOMMENDED P.C. BOARD THICKNESS IS .062 (1.6).
- 7) CONNECTOR WILL ACCEPT MATING TO A P.C. BOARD WITH A THICKNESS OF .062±.003.
- 8) FOUR DIGIT DATE CODE (WK YR), EXAMPLE => 26 96 LOCATED IN AREA INDICATED.
- 9) PRODUCT TO BE PACKAGED IN TUBES

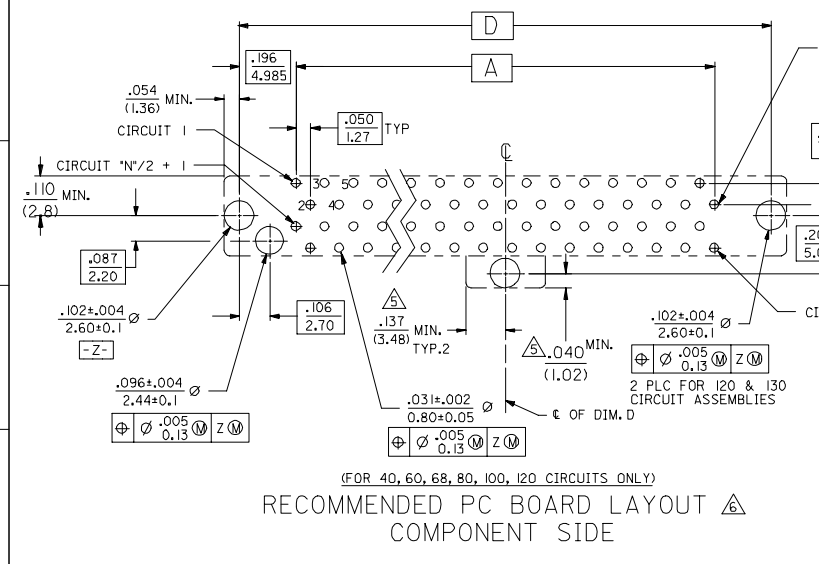
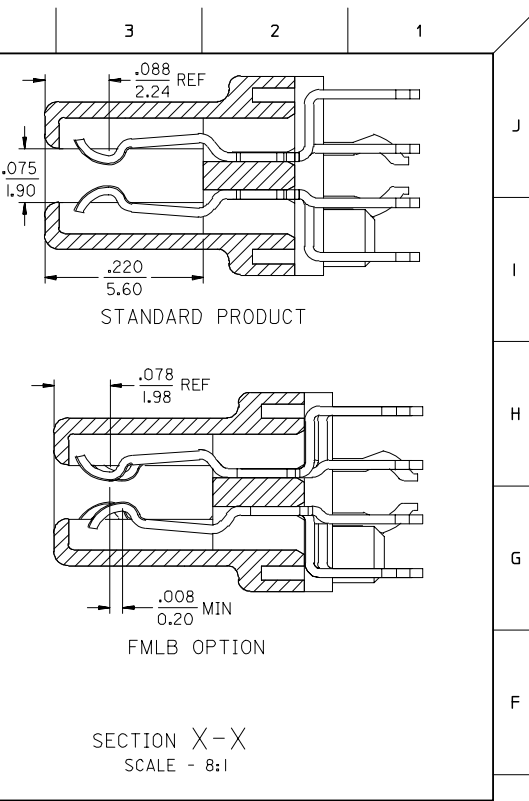


60 CIRCUIT ASSEMBLY SHOWN
SCALE 2:1

| | |
|-----|-----|
| 2 | C |
| 1 | C |
| SHT | REV |

| | | | | | | | |
|---|--|--|-----------------|------------------|---|--|--|
| ADD 71660-9980 EC NO: UCP2007-0593 DRWNS:IBARRA 2006/09/27 CHKD:DMORGAN 2006/09/26 APPR:SMILLER 2006/09/27 REV DESCRIPTION | QUALITY SYMBOLS | GENERAL TOLERANCES (UNLESS SPECIFIED) | DIMENSION STYLE | SCALE | DESIGN UNITS | THIRD ANGLE PROJECTION | |
| | ▽=0 ▽=0 | mm INCH 4 PLACES ± --- ± --- 3 PLACES ± --- ±.005 2 PLACES ±.013 ±.01 1 PLACE ±.025 ± --- ANGULAR ±1/2° | IN/MM | 4:1 | INCH | DRAWN BY DATE RKADAMS 08/11/2004 CHECKED BY DATE BBARKER 08/11/2004 APPROVED BY DATE SMILLER 08/11/2004 MATERIAL NO. DOCUMENT NO. | TITLE SALES ASSEMBLY MOLEX EBBI 50D VERTICAL RECEPTACLE CONNECTOR MOLEX INCORPORATED |
| | DRAFT WHERE APPLICABLE MUST REMAIN WITHIN DIMENSIONS | SEE TABLE | SD-71660-006 | SHEET NO. 1 OF 2 | THIS DRAWING CONTAINS INFORMATION THAT IS PROPRIETARY TO MOLEX INCORPORATED AND SHOULD NOT BE USED WITHOUT WRITTEN PERMISSION | | |
| | | | | | | | |

| | 13 | 12 | 11 | 10 | 9 | 8 | 7 | 6 | 5 | 4 | 3 | 2 | 1 | | | | | | | | |
|---|-------------|------------|-----------|---------------|---------------|---------------|---------------|---------------------------------|---|--|---|---|---|--|---------------------------------|-----|--|--|--|--|--|
| | ITEM NUMBER | | CKT ('N') | A | B | C | D | P | ADVANCED TERMINALS / CKTS SEE SECTION X-X "FMLB OPT" | | | | | | | | | | | | |
| J | | | 30 | .700 (17.78) | .918 (23.32) | 1.199 (30.45) | 1.092 (27.75) | ↑ ↑ ↑ ↑ ↑ ↑ ↑ | N/A | | | | | | | | | | | | |
| | | | 40 | .950 (24.13) | 1.168 (29.67) | 1.449 (36.80) | 1.342 (34.10) | | | | | | | | | | | | | | |
| | | | 50 | 1.200 (30.48) | 1.418 (36.02) | 1.699 (43.15) | 1.592 (40.45) | | | | | | | | | | | | | | |
| I | | 71660-9960 | 60 | 1.450 (36.83) | 1.668 (42.37) | 1.949 (49.50) | 1.842 (46.80) | | | | | | | | ↓ ↓ ↓ ↓ ↓ ↓ ↓ | N/A | | | | | |
| | | | 68 | 1.650 (41.91) | 1.868 (47.45) | 2.149 (54.58) | 2.042 (51.88) | | | | | | | | | | | | | | |
| | | 71660-9968 | 80 | 1.950 (49.53) | 2.168 (55.07) | 2.449 (62.20) | 2.342 (59.50) | | | | | | | | | | | | | | |
| | | 71660-9980 | 100 | 2.450 (62.23) | 2.668 (67.77) | 2.949 (74.90) | 2.842 (72.20) | | | | | | | | | | | | | | |
| | | | 120 | 2.950 (74.93) | 3.168 (80.47) | 3.449 (87.60) | 3.342 (84.90) | | | | | | | | | | | | | | |
| | | | 130 | 3.200 (81.28) | 3.418 (86.82) | 3.699 (93.95) | 3.592 (91.25) | | | | | | | | | | | | | | |
| H | | 71660-1450 | 30 | .700 (17.78) | .918 (23.32) | 1.199 (30.45) | 1.092 (27.75) | ↑ ↑ ↑ ↑ ↑ ↑ ↑ | N/A | | | | | | | | | | | | |
| | | | 40 | .950 (24.13) | 1.168 (29.67) | 1.449 (36.80) | 1.342 (34.10) | | | | | | | | | | | | | | |
| | | | 50 | 1.200 (30.48) | 1.418 (36.02) | 1.699 (43.15) | 1.592 (40.45) | | | | | | | | | | | | | | |
| | | 71660-1863 | 60 | 1.450 (36.83) | 1.668 (42.37) | 1.949 (49.50) | 1.842 (46.80) | | | | | | | | ↓ ↓ ↓ ↓ ↓ ↓ ↓ | N/A | | | | | |
| | | 71660-1083 | 80 | 1.950 (49.53) | 2.168 (55.07) | 2.449 (62.20) | 2.342 (59.50) | | | | | | | | | | | | | | |
| | | | 100 | 2.450 (62.23) | 2.668 (67.77) | 2.949 (74.90) | 2.842 (72.20) | | | | | | | | | | | | | | |
| G | | 71660-1491 | 100 | 2.450 (62.23) | 2.668 (67.77) | 2.949 (74.90) | 2.842 (72.20) | | | | | | | | | | | | | | |
| | | | 120 | 2.950 (74.93) | 3.168 (80.47) | 3.449 (87.60) | 3.342 (84.90) | | | | | | | | | | | | | | |
| | | | 130 | 3.200 (81.28) | 3.418 (86.82) | 3.699 (93.95) | 3.592 (91.25) | | | | | | | | | | | | | | |
| F | | | 50 | 1.200 (30.48) | 1.418 (36.02) | 1.699 (43.15) | 1.592 (40.45) | ↑ ↑ ↑ ↑ ↑ ↑ ↑ | ↓ ↓ ↓ ↓ ↓ ↓ ↓ | 2-4, 8-11, 14, 17, 20, 23, 26-29, 31, 32, 34, 36, 39, 42, 45, 48, 49 | | | | | | | | | | | |
| | | | 30 | .700 (17.78) | .918 (23.32) | 1.199 (30.45) | 1.092 (27.75) | ↑ ↑ ↑ ↑ ↑ ↑ ↑ | N/A | | | | | | | | | | | | |
| | | | 40 | .950 (24.13) | 1.168 (29.67) | 1.449 (36.80) | 1.342 (34.10) | | | | | | | | | | | | | | |
| | | | 50 | 1.200 (30.48) | 1.418 (36.02) | 1.699 (43.15) | 1.592 (40.45) | | | | | | | | | | | | | | |
| | | | 60 | 1.450 (36.83) | 1.668 (42.37) | 1.949 (49.50) | 1.842 (46.80) | | | | | | | | ↓ ↓ ↓ ↓ ↓ ↓ ↓ | N/A | | | | | |
| | | | 68 | 1.650 (41.91) | 1.868 (47.45) | 2.149 (54.58) | 2.042 (51.88) | | | | | | | | | | | | | | |
| | | | 80 | 1.950 (49.53) | 2.168 (55.07) | 2.449 (62.20) | 2.342 (59.50) | | | | | | | | | | | | | | |
| | | | 100 | 2.450 (62.23) | 2.668 (67.77) | 2.949 (74.90) | 2.842 (72.20) | | | | | | | | | | | | | | |
| | | | 120 | 2.950 (74.93) | 3.168 (80.47) | 3.449 (87.60) | 3.342 (84.90) | | | | | | | | | | | | | | |
| | | | 130 | 3.200 (81.28) | 3.418 (86.82) | 3.699 (93.95) | 3.592 (91.25) | | | | | | | | | | | | | | |
| E | | | 50 | 1.200 (30.48) | 1.418 (36.02) | 1.699 (43.15) | 1.592 (40.45) | ↑ ↑ ↑ ↑ ↑ ↑ ↑ | ↓ ↓ ↓ ↓ ↓ ↓ ↓ | | | | | | | | | | | | |



| ADD 71660-9980 FC NO: UCP2007-0593 DRAWN BY: BARBARA 2006/09/21 CHKD: JORGAN 2006/09/26 APPR: SMILLER 2006/09/27 | QUALITY SYMBOLS ▽=0 ▽=0 | GENERAL TOLERANCES (UNLESS SPECIFIED) <table border="1"> <tr> <th></th> <th>mm</th> <th>INCH</th> </tr> <tr> <td>4 PLACES</td> <td>± .125</td> <td>± .005</td> </tr> <tr> <td>3 PLACES</td> <td>± .150</td> <td>± .010</td> </tr> <tr> <td>2 PLACES</td> <td>± .175</td> <td>± .015</td> </tr> <tr> <td>1 PLACE</td> <td>± .200</td> <td>± .020</td> </tr> </table> | | | mm | INCH | 4 PLACES | ± .125 | ± .005 | 3 PLACES | ± .150 | ± .010 | 2 PLACES | ± .175 | ± .015 | 1 PLACE | ± .200 | ± .020 | DIMENSION STYLE IN/MM | SCALE 4:1 | DESIGN UNITS INCH | THIRD ANGLE PROJECTION |
|--|-------------------------------|--|--|---|----|------|----------|--------|--------|----------|--------|--------|----------|--------|--------|---------|--------|--------|--------------------------|--------------|----------------------|------------------------|
| | | | mm | INCH | | | | | | | | | | | | | | | | | | |
| 4 PLACES | ± .125 | ± .005 | | | | | | | | | | | | | | | | | | | | |
| 3 PLACES | ± .150 | ± .010 | | | | | | | | | | | | | | | | | | | | |
| 2 PLACES | ± .175 | ± .015 | | | | | | | | | | | | | | | | | | | | |
| 1 PLACE | ± .200 | ± .020 | | | | | | | | | | | | | | | | | | | | |
| DRAFT WHERE APPLICABLE MUST REMAIN WITHIN DIMENSIONS | | DRAWN BY: RKADAMS 08/11/2004 CHECKED BY: BBARKER 08/11/2004 APPROVED BY: SMILLER 08/11/2004 | DATE: 08/11/2004 DATE: 08/11/2004 DATE: 08/11/2004 | SALES ASSEMBLY MOLEX EBBI 50D VERTICAL RECEPTACLE CONNECTOR MOLEX INCORPORATED | | | | | | | | | | | | | | | | | | |
| | | MATERIAL NO. SEE TABLE | DOCUMENT NO. SD-71660-006 | SHEET NO. 2 | | | | | | | | | | | | | | | | | | |

THIS DRAWING CONTAINS INFORMATION THAT IS PROPRIETARY TO MOLEX INCORPORATED AND SHOULD NOT BE USED WITHOUT WRITTEN PERMISSION