



Chipsmall Limited consists of a professional team with an average of over 10 year of expertise in the distribution of electronic components. Based in Hongkong, we have already established firm and mutual-benefit business relationships with customers from,Europe,America and south Asia,supplying obsolete and hard-to-find components to meet their specific needs.

With the principle of "Quality Parts,Customers Priority,Honest Operation,and Considerate Service",our business mainly focus on the distribution of electronic components. Line cards we deal with include Microchip,ALPS,ROHM,Xilinx,Pulse,ON,Everlight and Freescale. Main products comprise IC,Modules,Potentiometer,IC Socket,Relay,Connector.Our parts cover such applications as commercial,industrial, and automotives areas.

We are looking forward to setting up business relationship with you and hope to provide you with the best service and solution. Let us make a better world for our industry!



Contact us

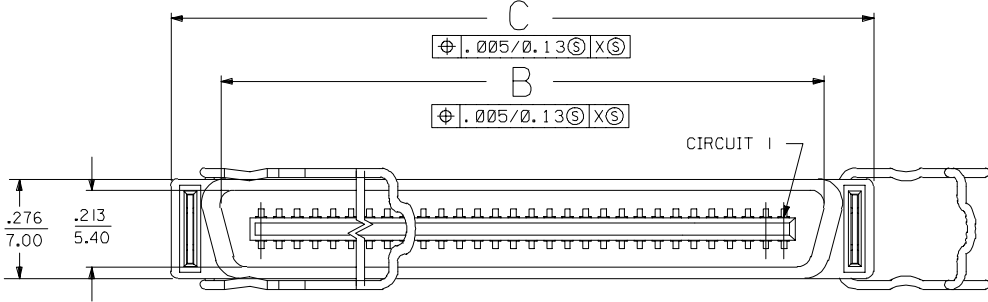
Tel: +86-755-8981 8866 Fax: +86-755-8427 6832

Email & Skype: info@chipsmall.com Web: www.chipsmall.com

Address: A1208, Overseas Decoration Building, #122 Zhenhua RD., Futian, Shenzhen, China



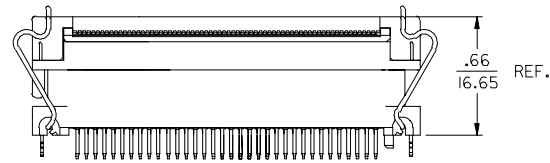
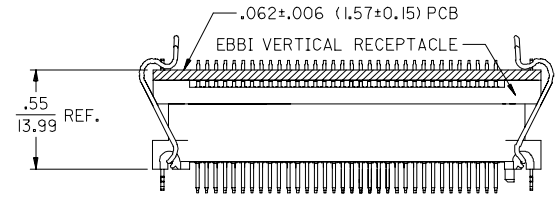
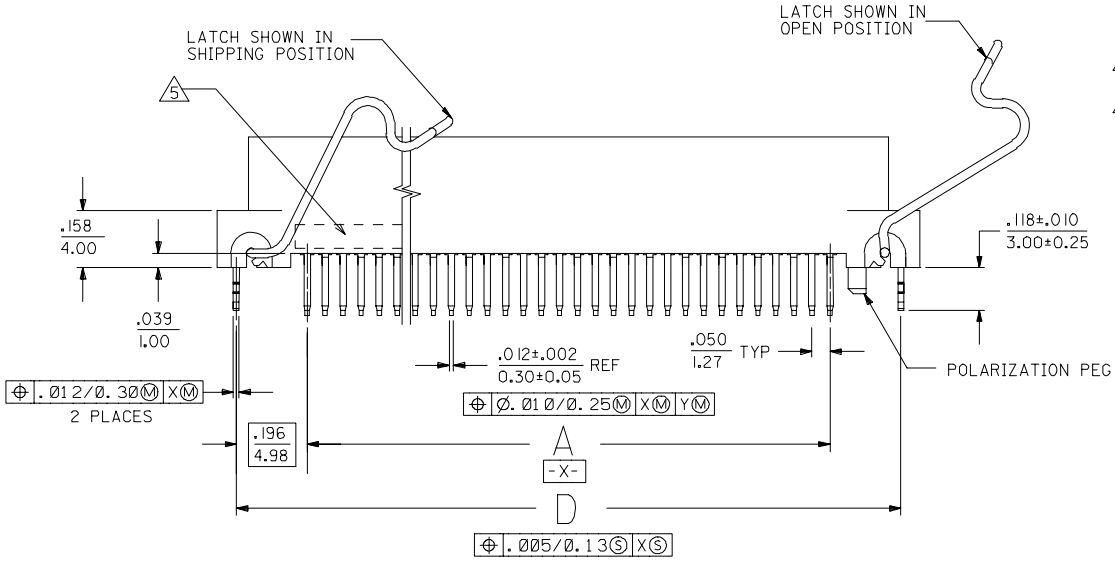
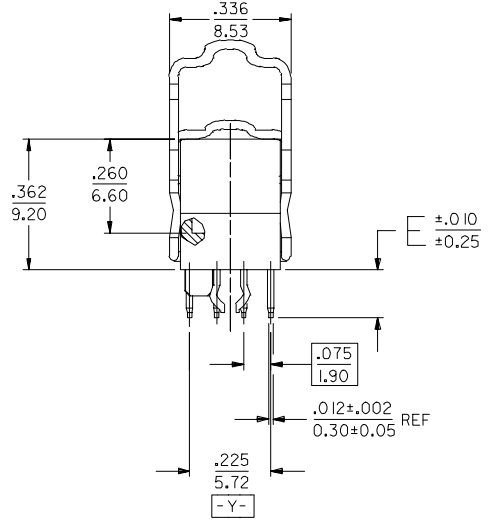
13 12 11 10 9 8 7 6 5 4 3 2 1



NOTES:

- 1) MATERIALS:
HOUSING - LIQUID CRYSTAL POLYMER (LCP), GLASS FILLED, UL94V-0, COLOR: BLACK
TERMINALS - COPPER ALLOY
METAL PEGS - COPPER ALLOY
METAL LATCHES - STAINLESS STEEL.
- 2) PLATING:
TERMINALS:
30 MICROINCH/0.76 MICROMETER MINIMUM GOLD IN CONTACT AREA AND 50 MICROINCH/1.27 MICROMETER MINIMUM TIN IN TAIL AREA OVER NICKEL UNDERPLATING OVERALL.
METAL PEGS:
50 MICROINCHES/1.27 MICROMETER MINIMUM TIN
- 3) ASSEMBLY MATES WITH MOLEX P/N 71660-****. CONFORMS TO PRODUCT SPECIFICATION PS-71660.

▲ RECOMMENDED P.C. BOARD THICKNESS IS .062 (1.6).
 ▲ FOUR DIGIT DATE CODE (WK YR), EXAMPLE => 26 96 LOCATED IN AREA INDICATED.



EBBI VERTICAL RECEPTACLE SHOWN LATCHED TO EBBI PLUG (SDA-71660-3***)

EBBI IDT RECEPTACLE SHOWN LATCHED TO EBBI PLUG (SDA-71660-3***)

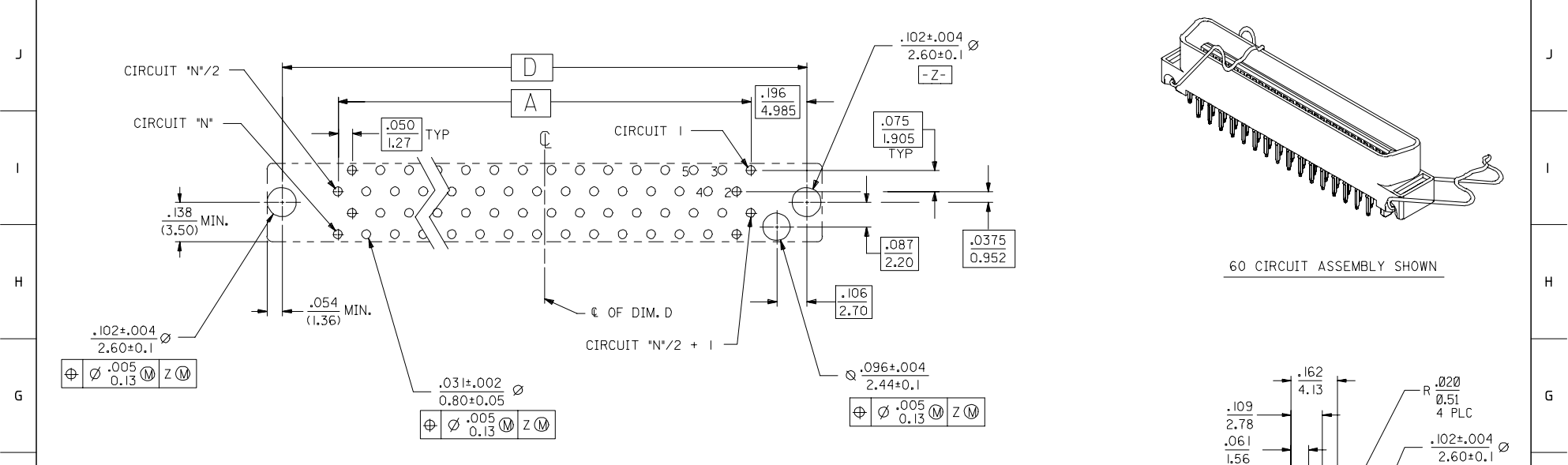
REFERENCE APPLICATION VIEWS

NOTE FOR LEAD FREE CONVERSION:
 THE PRIMARY SHIPPING CARTON WILL BE LABELED "COMPLIANT TO ROHS DIRECTIVE 2002/95/EC AND ELV ANNEX II OF DIRECTIVE 2000/53/EC". CARTONS WITHOUT THIS LABEL MAY CONTAIN PRODUCT WITH LEAD.

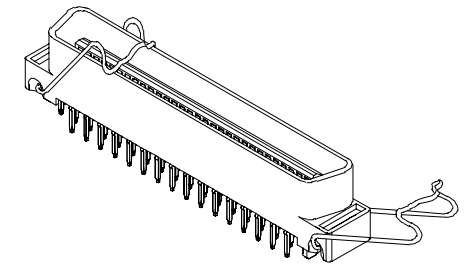
2	C
1	C
SHT	REV

CHG LATCH GEO FC NO: UCP2005-2042 2005/07/19 DRAWNSMART 2005/07/19 CHKD:BBARKER 2005/07/20 APPR:SMILLER	QUALITY SYMBOLS	GENERAL TOLERANCES (UNLESS SPECIFIED)	DIMENSION STYLE	SCALE	DESIGN UNITS	THIRD ANGLE PROJECTION
	=0 =0	mm INCH 4 PLACES ± --- ± --- 3 PLACES ± --- ±.005 2 PLACES ± 0.13 ±.01 1 PLACE ± 0.25 ± --- ANGULAR ±1/2°	IN/MM	4:1	INCH	☉ □ THIRD ANGLE PROJECTION
	DESCRIPTION		DRAWN BY	DATE	TITLE	SALES ASSEMBLY
			DGA	09/15/2005	MOLEX INCORPORATED	
			CHECKED BY	DATE		
			RAN	09/15/2005		
			APPROVED BY	DATE		
			GW	09/15/2005		
		DRAFT WHERE APPLICABLE MUST REMAIN WITHIN DIMENSIONS	MATERIAL NO.	DOCUMENT NO.	SHEET NO.	
			SEE TABLE	SDA-71661-15**	1 OF 2	
			THIS DRAWING CONTAINS INFORMATION THAT IS PROPRIETARY TO MOLEX INCORPORATED AND SHOULD NOT BE USED WITHOUT WRITTEN PERMISSION			

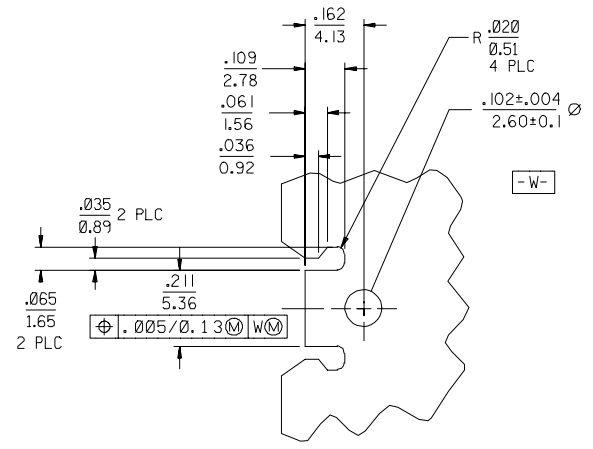
12 11 10 9 8 7 6 5 4 3 2 1



RECOMMENDED PC BOARD LAYOUT COMPONENT SIDE



60 CIRCUIT ASSEMBLY SHOWN



DETAIL FOR RECEPTACLE PCB LATCHING

.134 (3.40)	2.042 (51.88)	2.149 (54.58)	1.875 (47.65)	1.650 (41.91)	68	71661-1569	PK-70873-0845
.134 (3.40)	1.842 (46.80)	1.949 (49.50)	1.676 (42.57)	1.450 (36.83)	60	71661-1561	PK-70873-0845
.110 (2.79)	2.342 (59.50)	2.449 (62.20)	2.176 (55.27)	1.950 (49.53)	80	71661-1580	PK-70873-0846
.110 (2.79)	2.042 (51.88)	2.149 (54.58)	1.875 (47.65)	1.650 (41.91)	68	71661-1568	PK-70873-0845
.110 (2.79)	1.842 (46.80)	1.949 (49.50)	1.676 (42.57)	1.450 (36.83)	60	71661-1560	PK-70873-0845
.110 (2.79)	1.092 (27.75)	1.199 (30.45)	.925 (23.52)	.700 (17.78)	30	71661-1530	PK-70873-0840
E	D	C	B	A	CKT (*N)	MATERIAL NUMBER	PACKAGING SPECIFICATION

CHG ISO GEOMETRY FC NO: UCP2005-2042 DRAWNSMART 2005/07/19 CHKD:BBARKER 2005/07/19 APPR:SMILLER 2005/07/20 REV DESCRIPTION	QUALITY SYMBOLS	GENERAL TOLERANCES (UNLESS SPECIFIED)	DIMENSION STYLE	SCALE	DESIGN UNITS	THIRD ANGLE PROJECTION
	$\nabla=0$ $\nabla=0$	mm INCH 4 PLACES ± --- ± --- 3 PLACES ± --- ±.005 2 PLACES ± 0.13 ±.01 1 PLACE ± 0.25 ± --- ANGULAR ±1/2°	ECOMP/PCB LATCHING DRAWN BY DATE DGA 09/15/1996 CHECKED BY DATE RAN 09/15/1996 APPROVED BY DATE GWF 09/15/1996	INCH LATCHING	INCH	THIRD ANGLE PROJECTION
	DRAFT WHERE APPLICABLE MUST REMAIN WITHIN DIMENSIONS	SEE TABLE	MATERIAL NO. SDA-71661-15**	MOLEX INCORPORATED	SHEET NO. 2 OF 2	SALES ASSEMBLY MOLEX EBBI 50D VERT PLUG WITH BAIL LATCHES MOLEX INCORPORATED
			THIS DRAWING CONTAINS INFORMATION THAT IS PROPRIETARY TO MOLEX INCORPORATED AND SHOULD NOT BE USED WITHOUT WRITTEN PERMISSION			