



Chipsmall Limited consists of a professional team with an average of over 10 year of expertise in the distribution of electronic components. Based in Hongkong, we have already established firm and mutual-benefit business relationships with customers from,Europe,America and south Asia,supplying obsolete and hard-to-find components to meet their specific needs.

With the principle of "Quality Parts,Customers Priority,Honest Operation,and Considerate Service",our business mainly focus on the distribution of electronic components. Line cards we deal with include Microchip,ALPS,ROHM,Xilinx,Pulse,ON,Everlight and Freescale. Main products comprise IC,Modules,Potentiometer,IC Socket,Relay,Connector.Our parts cover such applications as commercial,industrial, and automotives areas.

We are looking forward to setting up business relationship with you and hope to provide you with the best service and solution. Let us make a better world for our industry!



## Contact us

Tel: +86-755-8981 8866 Fax: +86-755-8427 6832

Email & Skype: info@chipsmall.com Web: www.chipsmall.com

Address: A1208, Overseas Decoration Building, #122 Zhenhua RD., Futian, Shenzhen, China

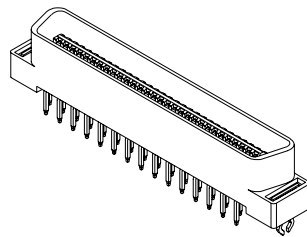
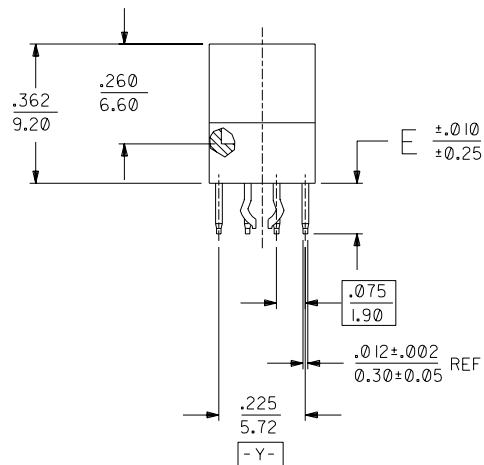
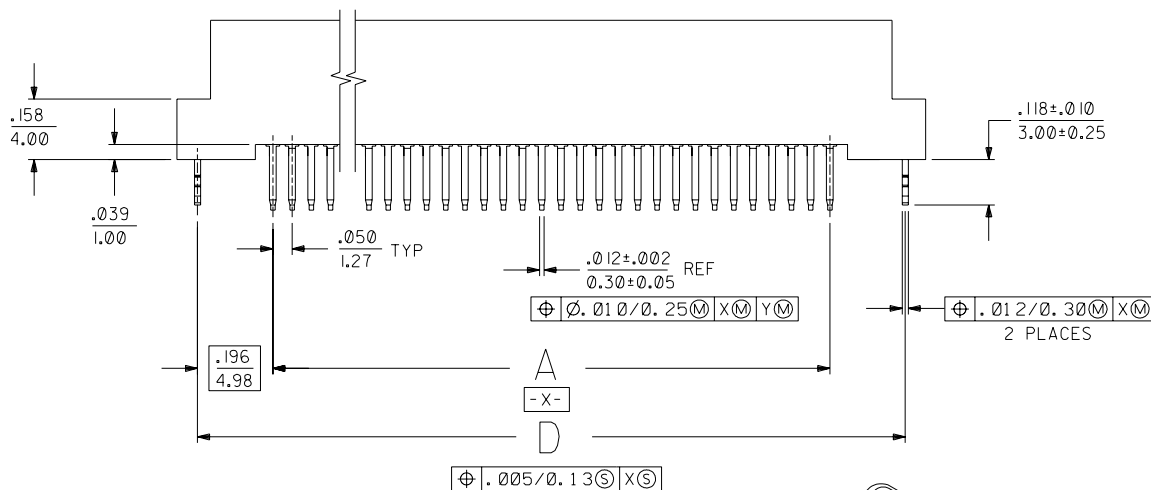
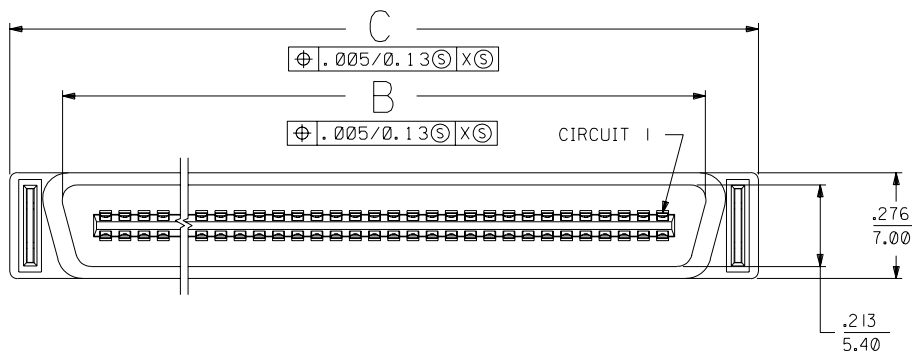


**NOTES:**

- 1) MATERIALS:  
 HOUSING - LIQUID CRYSTAL POLYMER (LCP), GLASS FILLED, UL94V-0, COLOR: BLACK  
 TERMINALS - COPPER ALLOY  
 METAL PEGS - COPPER ALLOY
- 2) TERMINAL FINISH:  
 30 MICROINCH/0.76 MICROMETER MINIMUM GOLD IN CONTACT AREA AND 100 MICROINCH/2.54 MICROMETER MINIMUM TIN IN SOLDER TAIL AREA. NICKEL UNDERPLATE OVER ENTIRE TERMINAL.
- 3) ASSEMBLY MATES WITH MOLEX P/N SDA-71660-\*\*\*\*. CONFORMS TO PRODUCT SPECIFICATION PS-71660.
- 4) PRODUCT IS PACKAGED PER SPECIFICATION PK-71660.

**NOTE FOR LEAD FREE CONVERSION:**

THE PRIMARY SHIPPING CARTON WILL BE LABELED "COMPLIANT TO ROHS DIRECTIVE 2002/95/EC AND ELV ANNEX II OF DIRECTIVE 2000/53/EC". CARTONS WITHOUT THIS LABEL MAY CONTAIN PRODUCT WITH LEAD.



60 CIRCUIT ASSEMBLY SHOWN  
SCALE - 2:1

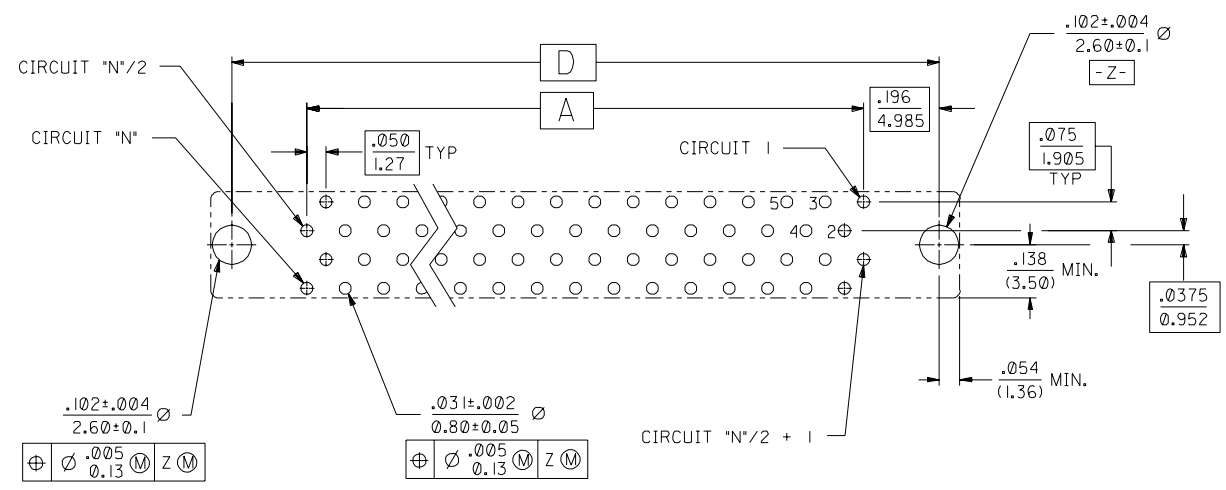
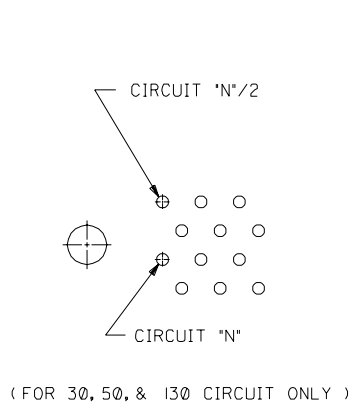
E	LEAD FREE CONV ECN UCP2004-2096 RKADAMS 04/04/26
D	REVISED PER ECN U60641 11-28-95 DRS
C	REVISED PER ECN U40506 4-15-94 RAN
B	REVISED PER ECN U31755 12-3-93 RAN
A	INITIAL RELEASE PER ECN U30874 5-18-93 RAN

2	D
1	E

DIMENSIONS SHOWN (METRIC) INCH UNLESS OTHERWISE SPECIFIED TOLERANCES: ANGULAR ± 1/2°		▽ = 0    ▼ = 0    REVISIONS ONLY ON CAD SYSTEM	
3 PLACE	± .005	TITLE	
2 PLACE	± .01 ± 0.13	SALES ASSEMBLY EBBI 50D VERTICAL PLUG W/O CENTER BOARD LOCK & POLAR. PEG	
1 PLACE	--- ± 0.25	MOLEX INCORPORATED    SHEET NO.    DATE	
DRAFT WHERE APPLICABLE MUST REMAIN WITHIN DIMENSIONS		MOLEX INCORPORATED    U.S.A.    1 OF 2    4/23/93	
PART NO.    DRWG. NO.		SEE TABLE    SDA-71661-9***	
DRWG. BY: RAN	CHK'D. BY: RAN	FILE NAME: 571661K9	THIS DRAWING CONTAINS INFORMATION THAT IS PROPRIETARY TO MOLEX INC. AND SHOULD NOT BE USED WITHOUT WRITTEN PERMISSION.
APP'D. BY: CAB	SCALE: 4: 1	DIV.:	SIZE: C

13 12 11 10 9 8 7 6 5 4 3 2 1

71661



RECOMMENDED PC BOARD LAYOUT  $\Delta$   
 COMPONENT SIDE  
 (FOR 40, 60, 68, 80, 100, & 120 ONLY)

	E	D	C	B	A	CKT ("N")	ITEM NUMBER
D	.110 (2.79)	3.592 (91.25)	3.699 (93.95)	3.426 (87.02)	3.200 (81.28)	130	71661-9430
	.110 (2.79)	3.342 (84.90)	3.449 (87.60)	3.176 (80.67)	2.950 (74.93)	120	71661-9420
	.110 (2.79)	2.842 (72.20)	2.949 (74.90)	2.676 (67.97)	2.450 (62.23)	100	71661-9400
	.110 (2.79)	2.342 (59.50)	2.449 (62.20)	2.176 (55.27)	1.950 (49.53)	80	71661-9380
	.110 (2.79)	2.042 (51.88)	2.149 (54.58)	1.875 (47.65)	1.650 (41.91)	68	71661-9368
C	.110 (2.79)	1.842 (46.80)	1.949 (49.50)	1.676 (42.57)	1.450 (36.83)	60	71661-9360
	.110 (2.79)	1.592 (40.45)	1.699 (43.15)	1.426 (36.22)	1.200 (30.48)	50	71661-9350
	.110 (2.79)	1.342 (34.10)	1.449 (36.80)	1.176 (29.87)	.950 (24.13)	40	71661-9340
	.110 (2.79)	1.092 (27.75)	1.199 (30.45)	.925 (23.52)	.700 (17.78)	30	71661-9330
	.134 (3.40)	3.592 (91.25)	3.699 (93.95)	3.426 (87.02)	3.200 (81.28)	130	71661-9130
	.134 (3.40)	3.342 (84.90)	3.449 (87.60)	3.176 (80.67)	2.950 (74.93)	120	71661-9120
	.134 (3.40)	2.842 (72.20)	2.949 (74.90)	2.676 (67.97)	2.450 (62.23)	100	71661-9100
	.134 (3.40)	2.342 (59.50)	2.449 (62.20)	2.176 (55.27)	1.950 (49.53)	80	71661-9080
	.134 (3.40)	2.042 (51.88)	2.149 (54.58)	1.875 (47.65)	1.650 (41.91)	68	71661-9068
	.134 (3.40)	1.842 (46.80)	1.949 (49.50)	1.676 (42.57)	1.450 (36.83)	60	71661-9060
	.134 (3.40)	1.592 (40.45)	1.699 (43.15)	1.426 (36.22)	1.200 (30.48)	50	71661-9050
	.134 (3.40)	1.342 (34.10)	1.449 (36.80)	1.176 (29.87)	.950 (24.13)	40	71661-9040
	.134 (3.40)	1.092 (27.75)	1.199 (30.45)	.925 (23.52)	.700 (17.78)	30	71661-9030

..D	SEE SHEET 111
..C	SEE SHEET 111

DIMENSIONS SHOWN (METRIC) INCH		▽ = 0		▽ = 0		REVISE ONLY ON CAD SYSTEM	
UNLESS OTHERWISE SPECIFIED TOLERANCES ANGULAR ± 1/2°							
3 PLACE ± .005		INCH		METRIC		---	
2 PLACE ± .01		± 0.13		---		---	
1 PLACE ---		± 0.25		---		---	
DRAFT WHERE APPLICABLE MUST REMAIN WITHIN DIMENSIONS							
DRAWN: RAN		CHK'D: RAN		PART NO.:		DRWG. NO.:	
APP'D: CAB		SCALE: 4:1		FILE NAME: 57166189		SHEET NO. DATE: 2 4/23/93	
SEE TABLE				SDA-71661-9***			
THIS DRAWING CONTAINS INFORMATION THAT IS PROPRIETARY TO MOLEX INC. AND SHOULD NOT BE USED WITHOUT WRITTEN PERMISSION.							

13 12 11 10 9 8 7 6 5 4 3 2 1