



Chipsmall Limited consists of a professional team with an average of over 10 year of expertise in the distribution of electronic components. Based in Hongkong, we have already established firm and mutual-benefit business relationships with customers from,Europe,America and south Asia,supplying obsolete and hard-to-find components to meet their specific needs.

With the principle of "Quality Parts,Customers Priority,Honest Operation,and Considerate Service",our business mainly focus on the distribution of electronic components. Line cards we deal with include Microchip,ALPS,ROHM,Xilinx,Pulse,ON,Everlight and Freescale. Main products comprise IC,Modules,Potentiometer,IC Socket,Relay,Connector.Our parts cover such applications as commercial,industrial, and automotives areas.

We are looking forward to setting up business relationship with you and hope to provide you with the best service and solution. Let us make a better world for our industry!



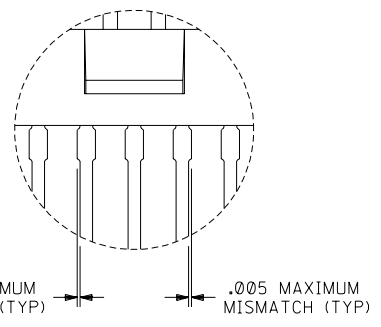
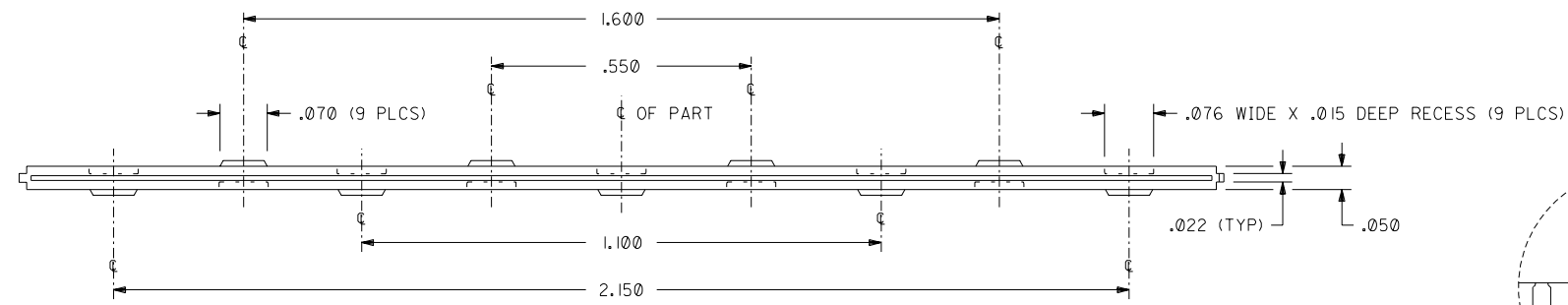
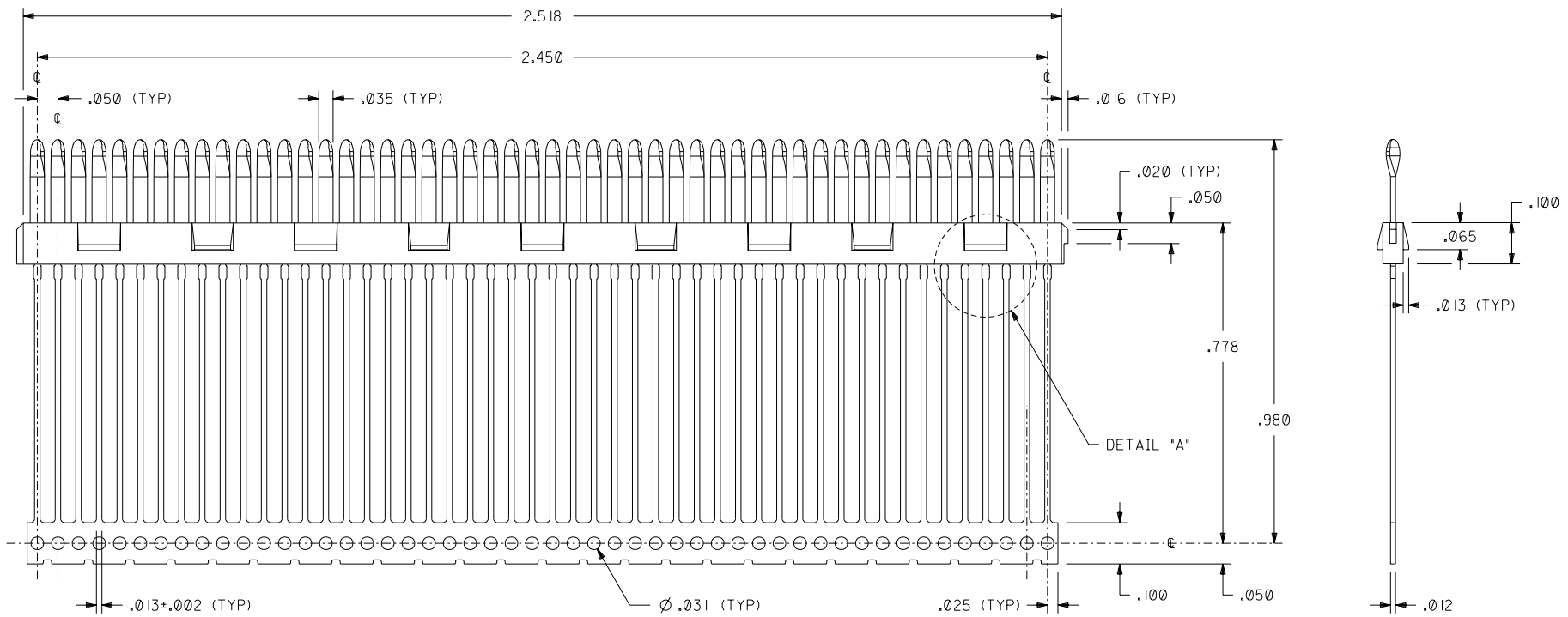
## Contact us

Tel: +86-755-8981 8866 Fax: +86-755-8427 6832

Email & Skype: info@chipsmall.com Web: www.chipsmall.com

Address: A1208, Overseas Decoration Building, #122 Zhenhua RD., Futian, Shenzhen, China





NOTE FOR LEAD FREE CONVERSION:  
 THE PRIMARY SHIPPING CARTON WILL BE LABELED "COMPLIANT TO ROHS DIRECTIVE 2002/95/EC AND ELV ANNEX II OF DIRECTIVE 2000/53/EC". CARTONS WITHOUT THIS LABEL MAY CONTAIN PRODUCT WITH LEAD.

- NOTES:
- MATERIALS:  
 INSULATOR IS GLASS FILLED LCP (LIQUID CRYSTAL POLYMER), U.L. 94 V-0, COLOR: BLACK; TERMINALS ARE A PHOSPHOR BRONZE ALLOY, .012" THICK.
  - TERMINAL PLATING:  
 30 MICROINCHES/(0.762 MICROMETERS) MINIMUM GOLD IN SELECTE AREA;  
 100 MICROINCHES/(2.54 MICROMETERS) MINIMUM TIN IN SELECTE AREA;  
 OVER NICKEL UNDERPLATE OVERALL.
  - PARTS USED IN CONJUNCTION WITH MOLEX PRODUCT SPECIFICATION #PS-71719-9999.
  - PACKAGING PER MOLEX SPECIFICATION #PK-70873-0252.
  - PARTS CONFORM TO MOLEX APPLICATION SPECIFICATION #AS-71715-9999.

DIMENSIONS SHOWN <input type="checkbox"/> INCH <input checked="" type="checkbox"/> METRIC		▽ = 0 ▼ = 0 REVISE ONLY ON CAD SYSTEM	
UNLESS OTHERWISE SPECIFIED TOLERANCES: ANGULAR ± 1/2°		TITLE .050" PITCH LFH, 50 CKT. MALE INSERT-MOLDED CONTACT STRIP, SALES DETAIL	
3 PLACE ± .010 ---		SHEET NO. DATE	
2 PLACE ± --- ± ---		1 OF 1 04/23/96	
1 PLACE --- ± ---		MOLEX INCORPORATED U.S.A. 60532	
DRAFT WHERE APPLICABLE MUST REMAIN WITHIN DIMENSIONS		PART NO. DRWG. NO.	
DRWG. BY GLT		71715-4001 SDA-71715-4001	
CHK'D BY GLT		FILE NAME 57171504 DGN	
APPR'D BY CWF		SCALE 5:1	
L.T.R. REVISIONS		L.T.R. REVISIONS	