



Chipsmall Limited consists of a professional team with an average of over 10 year of expertise in the distribution of electronic components. Based in Hongkong, we have already established firm and mutual-benefit business relationships with customers from,Europe,America and south Asia,supplying obsolete and hard-to-find components to meet their specific needs.

With the principle of “Quality Parts,Customers Priority,Honest Operation,and Considerate Service”,our business mainly focus on the distribution of electronic components. Line cards we deal with include Microchip,ALPS,ROHM,Xilinx,Pulse,ON,Everlight and Freescale. Main products comprise IC,Modules,Potentiometer,IC Socket,Relay,Connector.Our parts cover such applications as commercial,industrial, and automotives areas.

We are looking forward to setting up business relationship with you and hope to provide you with the best service and solution. Let us make a better world for our industry!



## Contact us

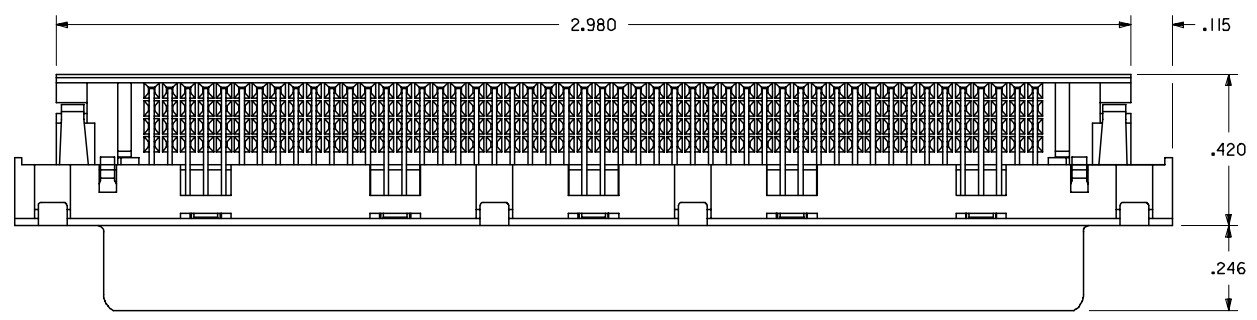
Tel: +86-755-8981 8866 Fax: +86-755-8427 6832

Email & Skype: info@chipsmall.com Web: www.chipsmall.com

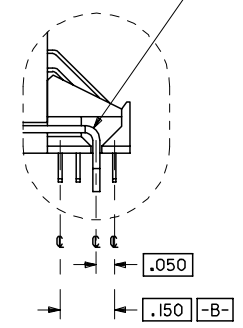
Address: A1208, Overseas Decoration Building, #122 Zhenhua RD., Futian, Shenzhen, China



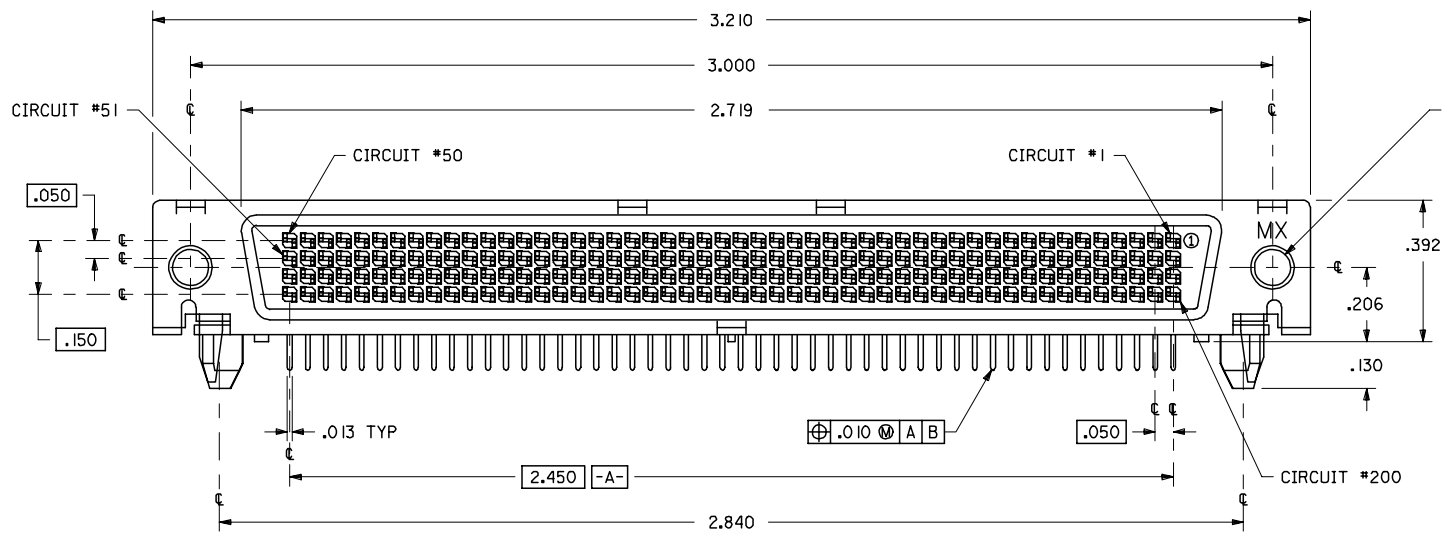
13 12 11 10 9 8 7 6 5 4 3 2 1



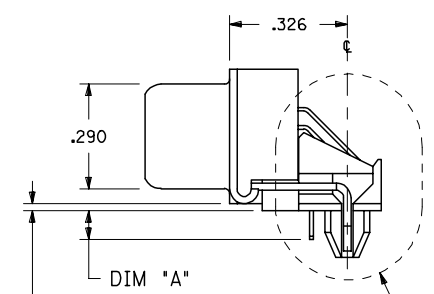
GROUNDING STRAP (2 PLCS)



**PARTIAL END VIEW**  
(MOUNTING PEG OMITTED FOR CLARITY)



M3 THREADED INSERT (2 PLCS)



SEE "PARTIAL END VIEW" FOR SOLDER TAIL LOCATIONS

**NOTES:**

- 1) MATERIALS:  
HOUSING, TAIL ALIGNER, AND INSERT-MOLDED STICKS ARE GLASS FILLED LCP (LIQUID CRYSTAL POLYMER), U.L. 94 V-0, COLOR IS BLACK; THE FEMALE TERMINALS ARE BERYLLIUM COPPER, 0.010" THICK; AND THE OUTER SHELL IS LOW-CARBON STEEL, .020" THICK.
- 2) TERMINAL PLATING:  
30 MICROINCHES/(0.76 MICROMETER) MINIMUM OF GOLD IN SELECTIVE AREA; 100 MICRO-INCHES MINIMUM OF TIN IN SELECTIVE AREA; ALL OVER NICKEL UNDERPLATE OVERALL.
- 3) OUTER SHELL FINISH:  
150 MICROINCHES/(3.81 MICROMETER) MINIMUM OF BRIGHT TIN; OVER 50 MICROINCHES/(3.81 MICROMETER) OF NICKEL; OVER COPPER FLASH (OPTIONAL).
- 4) PARTS CONFORM TO MOLEX PRODUCT SPECIFICATION \*PS-71718-9999.
- 5) PACKAGING PER MOLEX SPECIFICATION \*PK-70873-0299.
- 6) SEE SHEET #2 FOR PART NUMBERS, RECOMMENDED BOARD LAYOUT AND PANEL CUT-OUT.
- 7) PART COMPLIES WITH CLASS B OF COSMETIC SPECIFICATION PS-45499-002

**NOTE FOR LEAD FREE CONVERSION:**

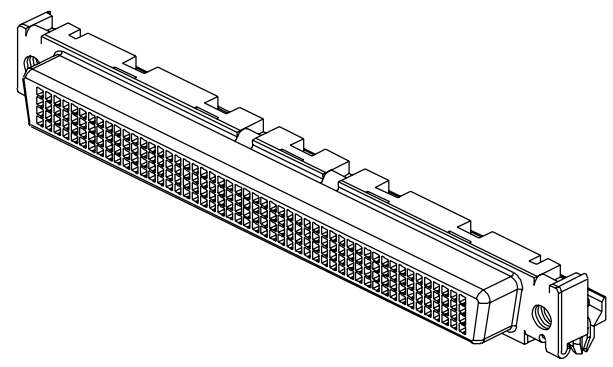
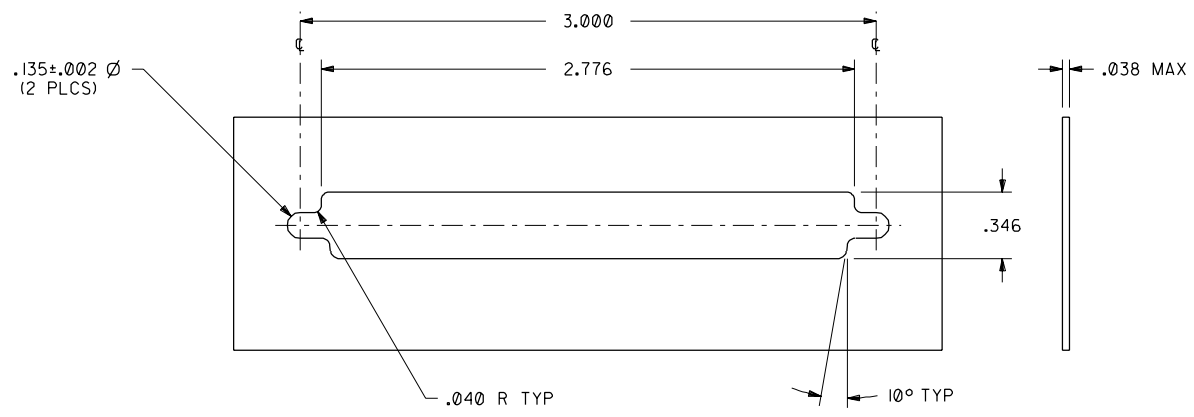
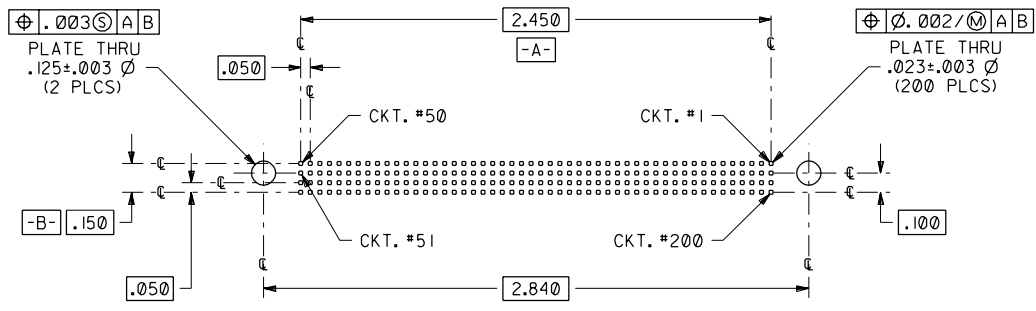
THE PRIMARY SHIPPING CARTON WILL BE LABELED "COMPLIANT TO RoHS DIRECTIVE 2002/95/EC AND ELV ANNEX II OF DIRECTIVE 2000/53/EC". CARTONS WITHOUT THIS LABEL MAY CONTAIN PRODUCT WITH LEAD.

71718-2001	.120±.010
71718-2000	.079±.010
ITEM NUMBER	DIM. A

2	F1
1	H
SHT	REV

ADD NOTE 7 EC NO: UCP2006-3051 2006/07/10 DRAWN: SIBARRA 2006/07/10 CHKD: BMORGAN 2006/07/10 APPR: SMILLER 2006/07/11	QUALITY SYMBOLS ▽=0 ▽=0	GENERAL TOLERANCES (UNLESS SPECIFIED)		DIMENSION STYLE INCH ONLY		SCALE 4:1 DESIGN UNITS INCH THIRD ANGLE PROJECTION	TITLE .050 PITCH LFH 200 CKT RIGHT ANGLE I/O RECEPTACLE SALES ASSY
		mm	INCH	DRAWN BY	DATE		
		4 PLACES ± ---	± ---	GLT	1995/05/15		
		3 PLACES ± ---	± .010	CHECKED BY	DATE		
2 PLACES ± ---	± ---	GLT	1995/05/15	APPROVED BY DATE GWJ 1995/05/15		MATERIAL NO. DOCUMENT NO. SHEET NO.	
1 PLACE ± ---	± ---	ANGULAR ±1/2°		SEE TABLE SDA-71718-2***	1 OF 2		
DRAFT WHERE APPLICABLE MUST REMAIN WITHIN DIMENSIONS		THIS DRAWING CONTAINS INFORMATION THAT IS PROPRIETARY TO MOLEX INCORPORATED AND SHOULD NOT BE USED WITHOUT WRITTEN PERMISSION					

12 11 10 9 8 7 6 5 4 3 2 1



DIMENSIONS SHOWN <input type="checkbox"/> INCH <input checked="" type="checkbox"/> METRIC		UNLESS OTHERWISE SPECIFIED TOLERANCES: ANGULAR ± 1/2°		REVISIONS		REVISIONS		MFG. SH. REV.			
5 PLACE ± .010	---	---	---	FI		SEE SHEET #1		TITLE: .050" PITCH LFH, 200 CKT. RIGHT ANGLE I/O RECEPTACLE. SALES ASSEMBLY			
2 PLACE ± ---	± ---	---	---					PART NO. SDA-71718-2***			
1 PLACE --- ± ---	---	---	---					MOLEX INCORPORATED SHEET NO. 2 DATE 05/15/95			
DRAFT WHERE APPLICABLE MUST REMAIN WITHIN DIMENSIONS								MOLEX INCORPORATED SHEET NO. 2 DATE 05/15/95			
DRWG. BY: GLT	CHK'D. BY: GLT	SCALE: 2:1							SEE CHART		
APP'D. BY: GWF	SCALE: 2:1									THIS DRAWING CONTAINS INFORMATION THAT IS PROPRIETARY TO MOLEX INC. AND SHOULD NOT BE USED WITHOUT WRITTEN PERMISSION.	