



Chipsmall Limited consists of a professional team with an average of over 10 year of expertise in the distribution of electronic components. Based in Hongkong, we have already established firm and mutual-benefit business relationships with customers from,Europe,America and south Asia,supplying obsolete and hard-to-find components to meet their specific needs.

With the principle of "Quality Parts,Customers Priority,Honest Operation,and Considerate Service",our business mainly focus on the distribution of electronic components. Line cards we deal with include Microchip,ALPS,ROHM,Xilinx,Pulse,ON,Everlight and Freescale. Main products comprise IC,Modules,Potentiometer,IC Socket,Relay,Connector.Our parts cover such applications as commercial,industrial, and automotives areas.

We are looking forward to setting up business relationship with you and hope to provide you with the best service and solution. Let us make a better world for our industry!



Contact us

Tel: +86-755-8981 8866 Fax: +86-755-8427 6832

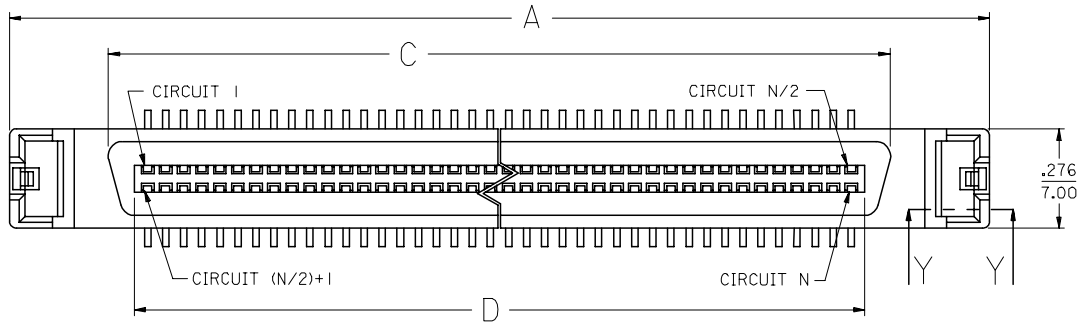
Email & Skype: info@chipsmall.com Web: www.chipsmall.com

Address: A1208, Overseas Decoration Building, #122 Zhenhua RD., Futian, Shenzhen, China

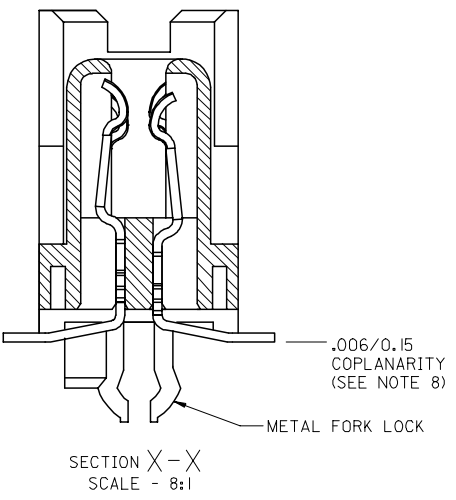
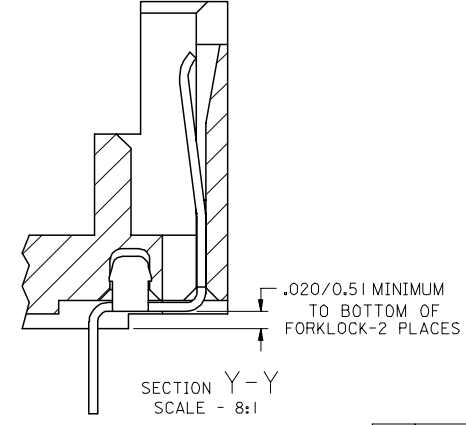
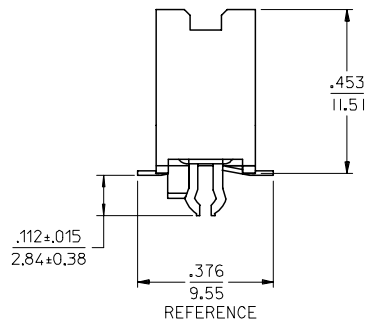
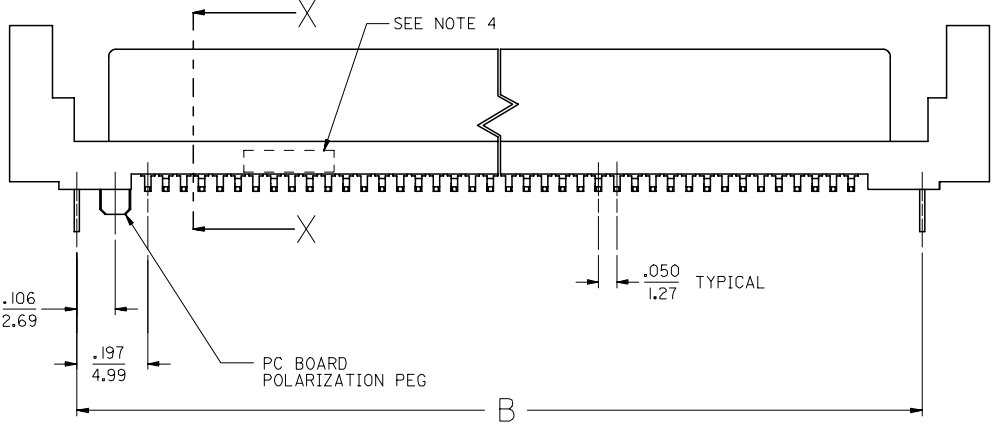


13 12 11 10 9 8 7 6 5 4 3 2 1

J
I
H
G
F
E
D
C
B
A



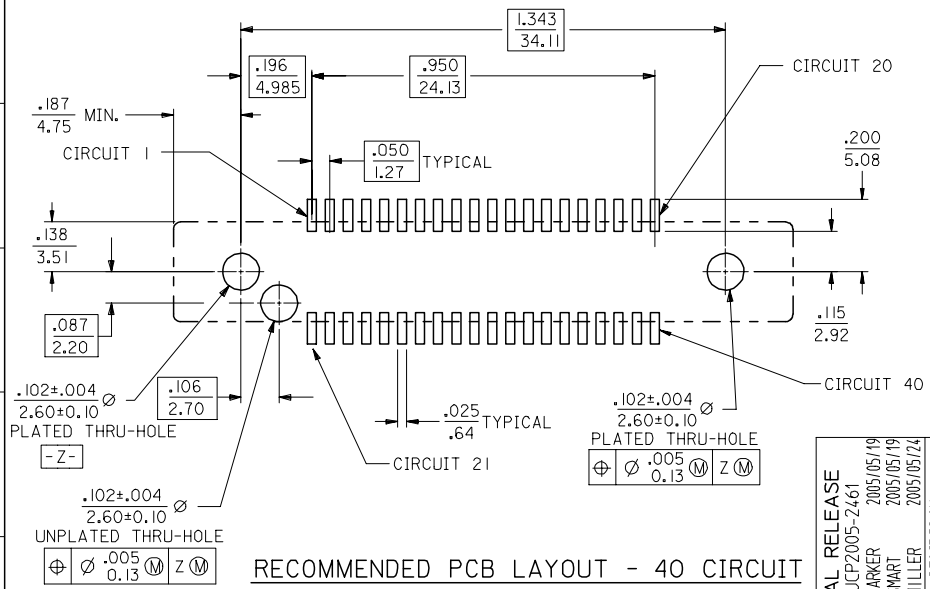
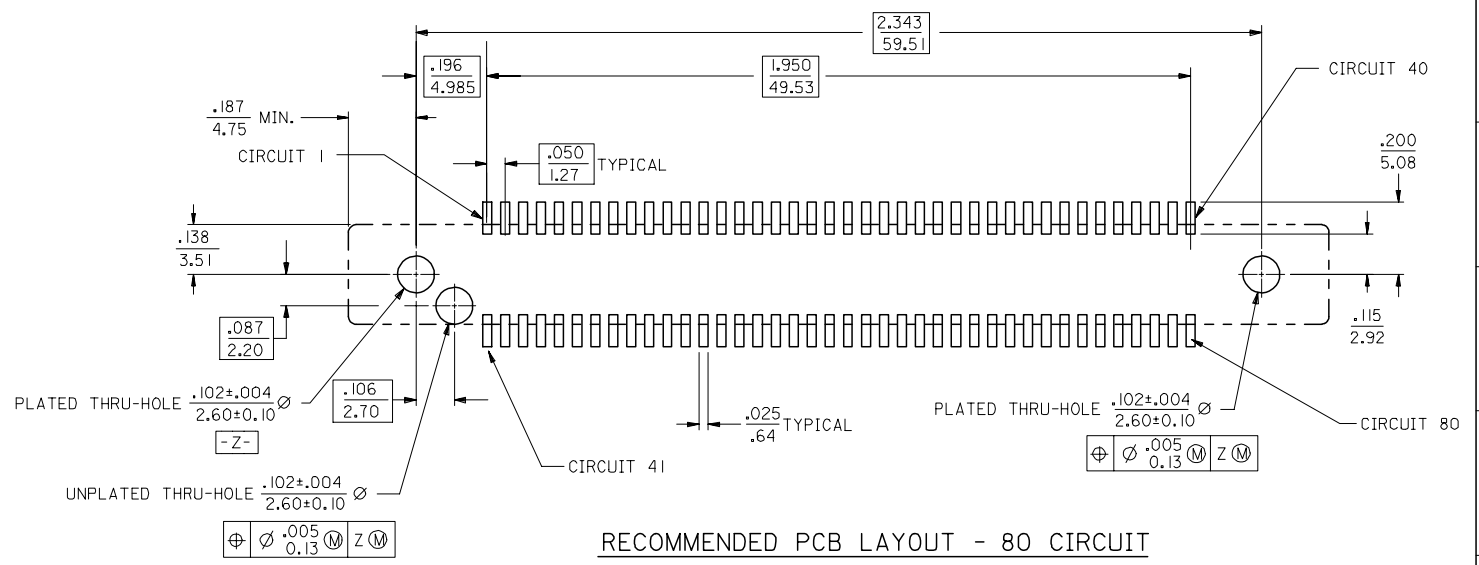
- NOTES:
1. MATERIAL:
HOUSING: 1.R. COMPATIBLE POLYMER, GLASS FILLED, UL 94 V 0, BLACK
TERMINALS: COPPER ALLOY
BOARDLOCK: COPPER ALLOY
 2. FINISH:
TERMINALS: 30 MICROINCHES / 0.76 MICROMETERS GOLD IN CONTACT AREA
100 MICROINCHES/ 2.54 MICROMETERS TIN IN TAIL AREA
NICKEL UNDERPLATE OVERALL.
ESD BOARDLOCK: TIN OVER NICKEL OVERALL.
 3. PRODUCT SPECIFICATION: PS-73826-0000
 4. FOUR DIGIT DATE CODE IN THIS LOCATION (WK YR).
 5. CONTACT GAP WILL ACCOMMODATE MATING CONNECTOR OF:
.063+/-0.003 / 1.60+/-0.08
 6. PACKAGE PER SPECIFICATION PK-70873-5025.
 7. CIRCUIT NUMBERS 1,36 THRU 43, 45, 46, AND 75 THRU 80,
ARE ADVANCED (LONG) TERMINALS FOR SEQUENTIAL MATING.
 8. COPLANARITY TO BE MEASURED USING FIXTURE # 71743-9001 OR EQUIVALENT.
MEASUREMENT TO BE TAKEN AT 50X MAGNIFICATION.
COPLANARITY IS THE DISTANCE BETWEEN THE SEATING PLANE AND THE LOWEST
POINT ON THE SMT TAIL THAT IS FARTHEST AWAY FROM THE SEATING PLANE.
FIXTURING TO BE SUCH THAT ALL TAILS ARE OVER THE SEATING PLANE.



INITIAL RELEASE FC NO: UCP2005-2461 DRAWN BY: DRWNBARKER 2005/05/19 CHKD BY: SMILLER 2005/05/19 APPR: SMILLER 2005/05/24	QUALITY SYMBOLS	GENERAL TOLERANCES (UNLESS SPECIFIED)	DIMENSION STYLE IN/MM	SCALE 1:1	DESIGN UNITS INCH	THIRD ANGLE PROJECTION
	▽=0	mm INCH	DRAWN BY: BBARKER DATE: 05/04/25	TITLE: SALES DRAWING - ASSEMBLY		
	▽=0	4 PLACES ± --- ± ---	CHECKED BY: BSMART DATE: 05/04/25	EBBI VERTICAL RECEPTACLE		
		3 PLACES ± --- ± .005	APPROVED BY: SMILLER DATE: 05/04/25	SMT SCA-2 CONNECTOR		
	2 PLACES ± 0.13 ± .010	MATERIAL NO. SEE CHART		DOCUMENT NO. SD-71743-005		SHEET NO. 1 OF 2
	1 PLACE ± 0.25 ± ---	DRAFT WHERE APPLICABLE MUST REMAIN WITHIN DIMENSIONS		MATERIAL NO. SEE CHART		
	ANGULAR ±1/2°	SIZE C		THIS DRAWING CONTAINS INFORMATION THAT IS PROPRIETARY TO MOLEX INCORPORATED AND SHOULD NOT BE USED WITHOUT WRITTEN PERMISSION		

12 11 10 9 8 7 6 5 4 3 2 1

	13	12	11	10	9	8	7	6	5	4	3	2	1
	MATERIAL NUMBER		CIRCUIT SIZE	DIMENSION A	DIMENSION B	DIMENSION C	DIMENSION D	ADVANCED TERMINALS / CIRCUITS (SECTION Z-Z, SHEET 1)					
J	71743-4180		80	2.717/69.01	2.343/59.51	2.168/55.07	2.025/51.44	1, 36, 37, 38, 39, 40, 41, 42, 43, 45, 46, 75, 76, 77, 78, 79, 80					
	71743-4140		40	1.717/43.61	1.343/34.11	1.168/29.67	1.025/26.04	21, 22, 23, 26, 29, 32, 35, 36, 37, 38, 39, 40					



INITIAL RELEASE FC NO: UCP2005-2461 DRAWN BY: BBARKER 2005/05/19 CHKD BY: BSMART 2005/05/19 APPR: SMILLER 2005/05/24	QUALITY SYMBOLS ▽=0 ▽=0	GENERAL TOLERANCES (UNLESS SPECIFIED)		DIMENSION STYLE IN/MM		SCALE 4:1	DESIGN UNITS INCH	THIRD ANGLE PROJECTION	
		4 PLACES ± --- ± ---	3 PLACES ± --- ± .010	2 PLACES ± 0.25 ± ---	1 PLACE ± --- ± ---	mm	INCH	DRAWN BY BBARKER	DATE 05/04/25
DRAFT WHERE APPLICABLE MUST REMAIN WITHIN DIMENSIONS		ANGULAR ±1/2°		APPROVED BY SMILLER		DATE 05/04/25	MATERIAL NO. DOCUMENT NO.		SHEET NO. 2 OF 2
SEE CHART		MATERIAL NO.		DOCUMENT NO.		MOLLEX INCORPORATED		THIS DRAWING CONTAINS INFORMATION THAT IS PROPRIETARY TO MOLEX INCORPORATED AND SHOULD NOT BE USED WITHOUT WRITTEN PERMISSION	