



Chipsmall Limited consists of a professional team with an average of over 10 year of expertise in the distribution of electronic components. Based in Hongkong, we have already established firm and mutual-benefit business relationships with customers from,Europe,America and south Asia,supplying obsolete and hard-to-find components to meet their specific needs.

With the principle of “Quality Parts,Customers Priority,Honest Operation,and Considerate Service”,our business mainly focus on the distribution of electronic components. Line cards we deal with include Microchip,ALPS,ROHM,Xilinx,Pulse,ON,Everlight and Freescale. Main products comprise IC,Modules,Potentiometer,IC Socket,Relay,Connector.Our parts cover such applications as commercial,industrial, and automotives areas.

We are looking forward to setting up business relationship with you and hope to provide you with the best service and solution. Let us make a better world for our industry!



## Contact us

Tel: +86-755-8981 8866 Fax: +86-755-8427 6832

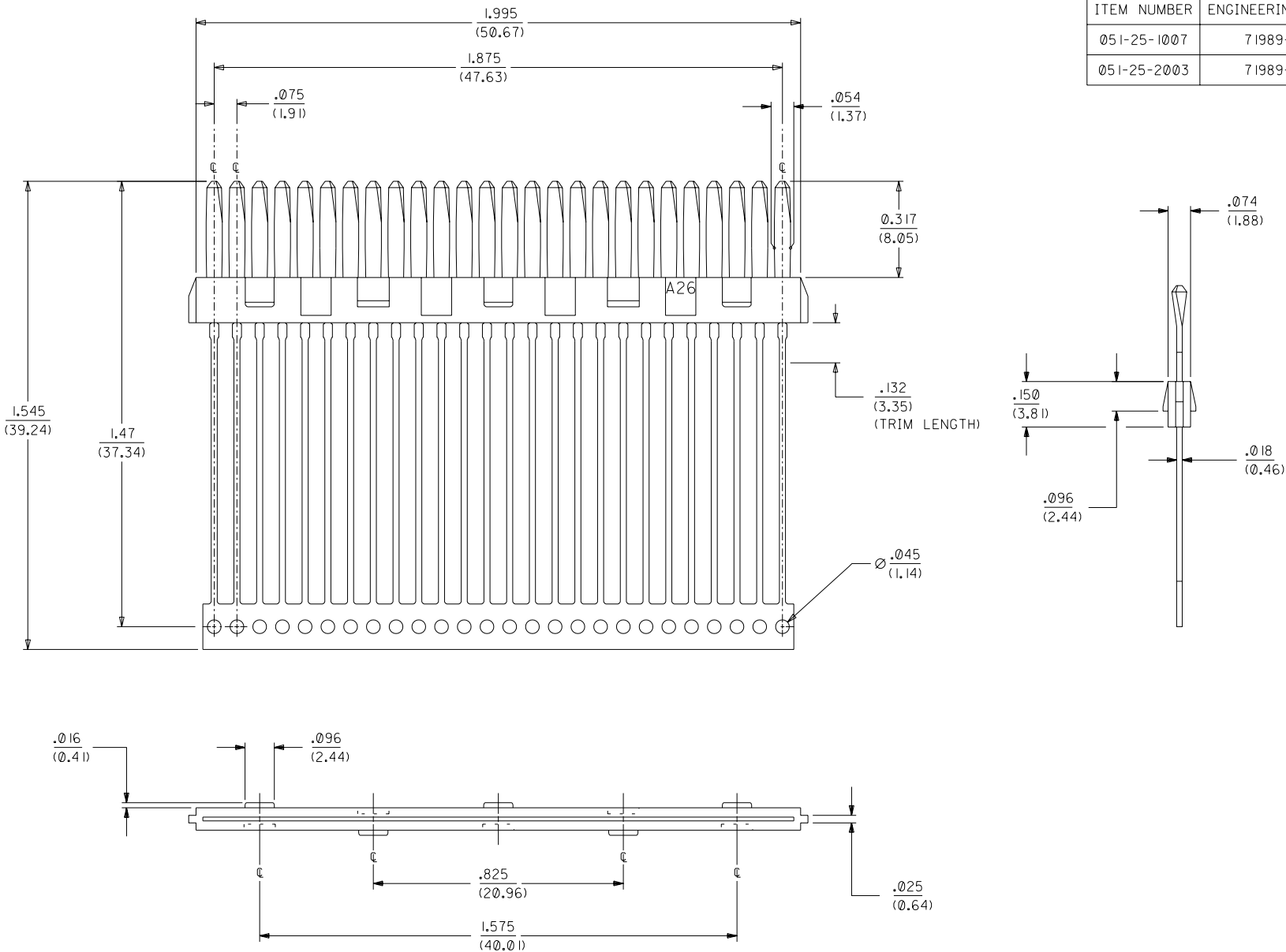
Email & Skype: info@chipsmall.com Web: www.chipsmall.com

Address: A1208, Overseas Decoration Building, #122 Zhenhua RD., Futian, Shenzhen, China



71989

ITEM NUMBER	ENGINEERING NUMBER	DESCRIPTION
051-25-1007	71989-2002	CARRIER ATTACHED
051-25-2003	71989-2003	TRIMMED TO LENGTH



## NOTES:

- INSULATOR MATERIAL IS LIQUID CRYSTAL POLYMER (LCP), RATED U.L. 94 V-0, COLOR IS BLACK
- TERMINAL MATERIAL IS PHOSPHOR BRONZE.
- TERMINAL PLATING IS .000030/(0.00076) MINIMUM GOLD IN CONTACT AREA AND .000100/(0.00254) MINIMUM TIN ON SOLDER TAILS, WITH NICKEL UNDERPLATE OVERALL.  
 \*THE PRIMARY SHIPPING CARTON WILL BE LABELED "COMPLIANT TO RoHS DIRECTIVE 2002/95/EC AND ELV ANNEX II OF DIRECTIVE 2000/53/EC". CARTONS WITHOUT THIS LABEL MAY CONTAIN PRODUCT WITH LEAD.
- ALL DIMENSIONS ARE SHOWN FOR REFERENCE ONLY.
- THIS COMPONENT CONFORMS TO PRODUCT SPECIFICATION PS-70660.
- PACKAGE PER SPECIFICATION PK-70873-0233.

B	ADDED PK SPEC UCP2004-1858 RWHITE 04/03/23
A	INITIAL RELEASE PER UDT1999-0221 SCHMIDG 98/09/29

DIMENSIONS SHOWN (METRIC) INCH		MFG.		SH.	REV.	LTR.	REVISIONS
UNLESS OTHERWISE SPECIFIED TOLERANCES: ANGULAR ± 1/2°		▽ = 0		▼ = 0		REVISE ONLY ON CAD SYSTEM	
3 PLACE	± ---						
2 PLACE	± ---						
1 PLACE	--- ± ---						
DRAFT WHERE APPLICABLE MUST REMAIN WITHIN DIMENSIONS							
DRAWN BY: SCHMIDGALL		CHK'D BY: KER		FILE NAME: S71989201		SHEET NO. DATE: 1 OF 1 98/09/21	
APP'D BY: KER		SCALE: 4: 1		PART NO. SEE CHART		DRWG. NO. SDA-71989-2002	
THIS DRAWING CONTAINS INFORMATION THAT IS PROPRIETARY TO MOLEX INC. AND SHOULD NOT BE USED WITHOUT WRITTEN PERMISSION.							

71989

C