



Chipsmall Limited consists of a professional team with an average of over 10 year of expertise in the distribution of electronic components. Based in Hongkong, we have already established firm and mutual-benefit business relationships with customers from,Europe,America and south Asia,supplying obsolete and hard-to-find components to meet their specific needs.

With the principle of “Quality Parts,Customers Priority,Honest Operation,and Considerate Service”,our business mainly focus on the distribution of electronic components. Line cards we deal with include Microchip,ALPS,ROHM,Xilinx,Pulse,ON,Everlight and Freescale. Main products comprise IC,Modules,Potentiometer,IC Socket,Relay,Connector.Our parts cover such applications as commercial,industrial, and automotives areas.

We are looking forward to setting up business relationship with you and hope to provide you with the best service and solution. Let us make a better world for our industry!



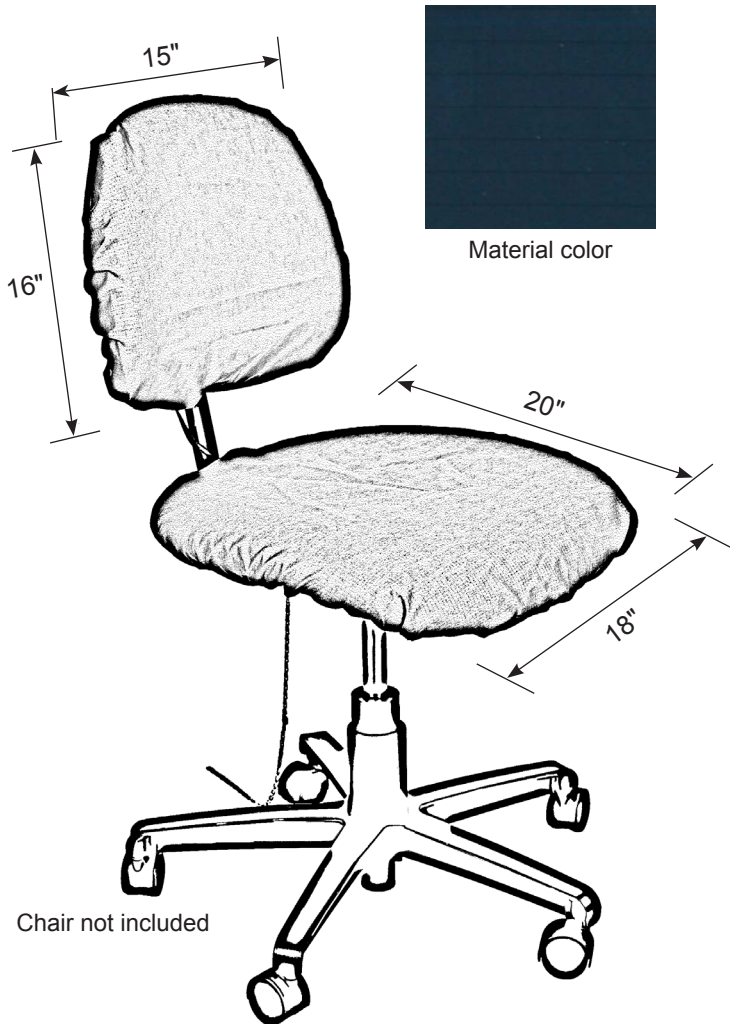
Contact us

Tel: +86-755-8981 8866 Fax: +86-755-8427 6832

Email & Skype: info@chipsmall.com Web: www.chipsmall.com

Address: A1208, Overseas Decoration Building, #122 Zhenhua RD., Futian, Shenzhen, China





Material color

Specifications:

Electrical Properties

Surface Resistivity
Static Decay

Typical Values

< 1 x 10⁸ ohms
<.01 second

Test Method

AATCC 76
FTM 4046

Physical Properties:

Fabric Weight
Fabric Content
Thread Count
Fabric Color
Mean Pore Size
Filtration Efficiency, Particles ≥0.5 μm
Air Porosity @ 125 Pa
Moisture Vapor Transport
Tensile Strength

3.0 oz/yd²
99% polyester, 1% carbon
254
Navy Blue
9 micron
35%
8.6 ft³/min/ft²
1140 g/m²/24 hrs
Warp 157 lbs / Fill 112 lbs

Bubble Point Test
IEST RP CC003.2
ASTM D-96
ASTM 5034

Chair not included

Technical Information from ESD Association:

"Fabric upholstered chairs accomplish this by using conductive fibers woven into the fabric. The fabric is then connected through the components of the chair, through the cylinder, base and casters (or drag chain) to the floor." [ESD Handbook ESD TR20.20 Seating section 5.3.5.2 Types and Selection]

If not otherwise noted, tolerance ±10%

Specifications and procedures subject to change without notice



Made in the United States of America

Static Dissipative Cleanroom Chair Cover

DESCO

DESCO WEST: 3651 WALNUT AVE., CHINO, CA 91710 WEB SITE: Desco.com
PHONE (909) 627-8178
DESCO EAST: ONE COLGATE WAY, CANTON, MA 02021-1407
PHONE (781) 821-8370

DRAWING NUMBER
07201

DATE
June
2014