



Chipsmall Limited consists of a professional team with an average of over 10 year of expertise in the distribution of electronic components. Based in Hongkong, we have already established firm and mutual-benefit business relationships with customers from,Europe,America and south Asia,supplying obsolete and hard-to-find components to meet their specific needs.

With the principle of "Quality Parts,Customers Priority,Honest Operation,and Considerate Service",our business mainly focus on the distribution of electronic components. Line cards we deal with include Microchip,ALPS,ROHM,Xilinx,Pulse,ON,Everlight and Freescale. Main products comprise IC,Modules,Potentiometer,IC Socket,Relay,Connector.Our parts cover such applications as commercial,industrial, and automotives areas.

We are looking forward to setting up business relationship with you and hope to provide you with the best service and solution. Let us make a better world for our industry!



## Contact us

Tel: +86-755-8981 8866 Fax: +86-755-8427 6832

Email & Skype: info@chipsmall.com Web: www.chipsmall.com

Address: A1208, Overseas Decoration Building, #122 Zhenhua RD., Futian, Shenzhen, China



MATERIALS AND FINISHES:

COUPLING NUT ZINC ALLOY  
PLATED NICKEL

BODY BRASS  
PLATED NICKEL

INSULATOR TEFLON

CONTACT BRASS  
PLATED GOLD

CRIMP TUBE BRASS  
PLATED NICKEL

RETAINING RING BRASS  
PLATED NICKEL

SPRING WASHER BERYLLIUM COPPER  
PLATED NICKEL

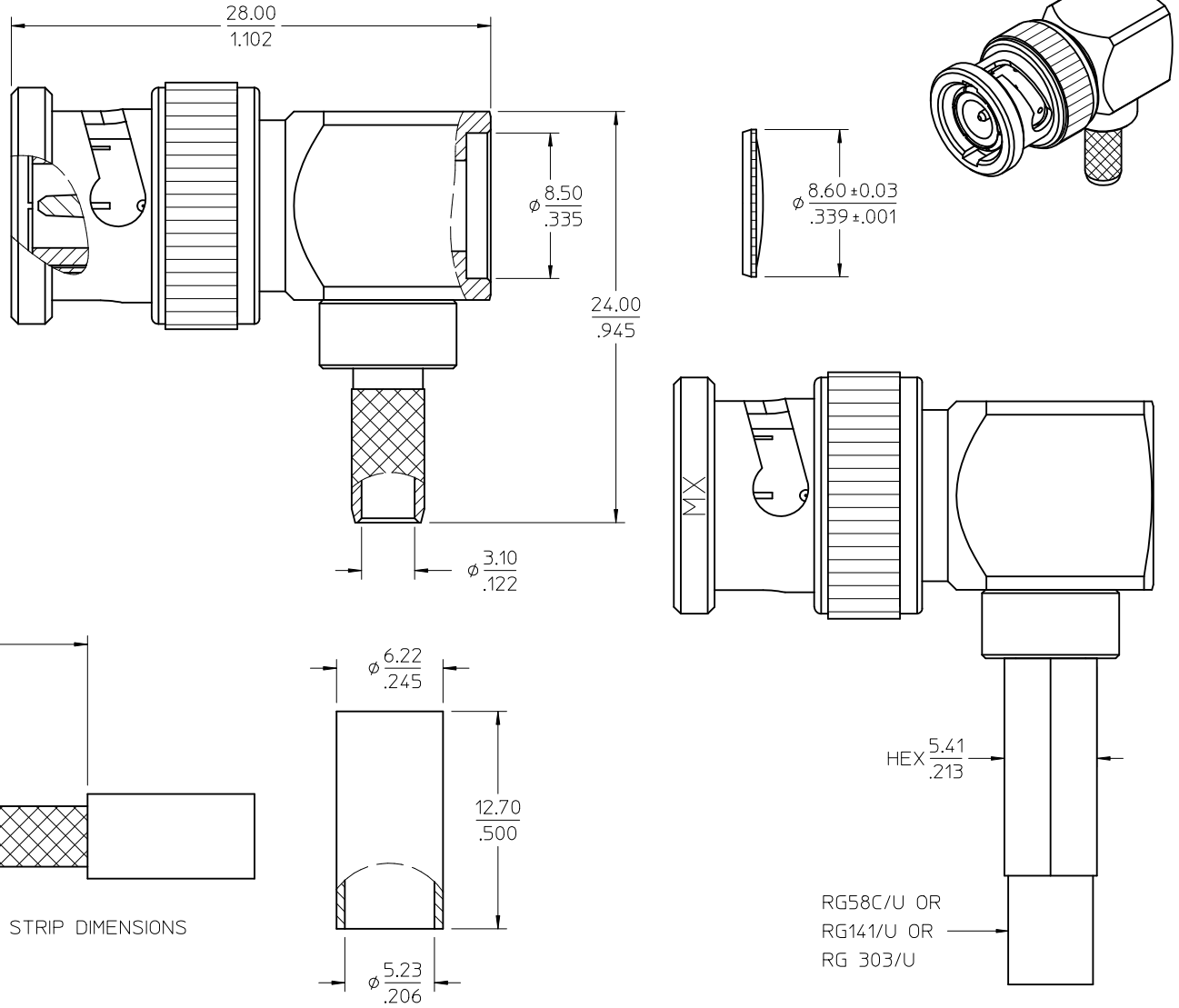
WASHER BRASS  
PLATED NICKEL

GASKET SILICONE RUBBER

COVER BRASS  
PLATED NICKEL

PART # 73100-0015

AS-73597-0010	ASSEMBLY INSTRUCTION
MIL-STD-348A, FIG. 301.1	INTERFACE
SPECIFICATION	DESCRIPTION



RECOMMENDED CABLE STRIP DIMENSIONS

CHG:REDRAW EC NO: URF-2012-0102 DRW:RYEH CHKD: APPR:MHUANG 2011/08/25 DESCRIPTION REV A1	QUALITY SYMBOLS ▽=0 ▽=0	GENERAL TOLERANCES (UNLESS SPECIFIED)		DIMENSION STYLE MM/IN		SCALE 2.5:1	DESIGN UNITS METRIC	THIRD ANGLE PROJECTION	
		4 PLACES ± --- ± --- 3 PLACES ± --- ± --- 2 PLACES ± --- ± --- 1 PLACE ± --- ± ---	mm INCH ± --- ± --- ± --- ± --- ± --- ± --- ± --- ± ---	DRAWN BY RYEH DATE 2011/08/16	CHECKED BY KERRIE DATE 2011/08/16	TITLE BNC PLUG R/A FOR RG58C/U, RG141/U, RG303/U BNC-P/CABLE		MOLEX INCORPORATED	
DRAFT WHERE APPLICABLE MUST REMAIN WITHIN DIMENSIONS		ANGULAR ± 2 °		APPROVED BY MHUANG DATE 2011/08/25		MATERIAL NO. 731000015	DOCUMENT NO. SD-73100-0015	SHEET NO. 1 OF 1	