



Chipsmall Limited consists of a professional team with an average of over 10 year of expertise in the distribution of electronic components. Based in Hongkong, we have already established firm and mutual-benefit business relationships with customers from,Europe,America and south Asia,supplying obsolete and hard-to-find components to meet their specific needs.

With the principle of “Quality Parts,Customers Priority,Honest Operation,and Considerate Service”,our business mainly focus on the distribution of electronic components. Line cards we deal with include Microchip,ALPS,ROHM,Xilinx,Pulse,ON,Everlight and Freescale. Main products comprise IC,Modules,Potentiometer,IC Socket,Relay,Connector.Our parts cover such applications as commercial,industrial, and automotives areas.

We are looking forward to setting up business relationship with you and hope to provide you with the best service and solution. Let us make a better world for our industry!



Contact us

Tel: +86-755-8981 8866 Fax: +86-755-8427 6832

Email & Skype: info@chipsmall.com Web: www.chipsmall.com

Address: A1208, Overseas Decoration Building, #122 Zhenhua RD., Futian, Shenzhen, China



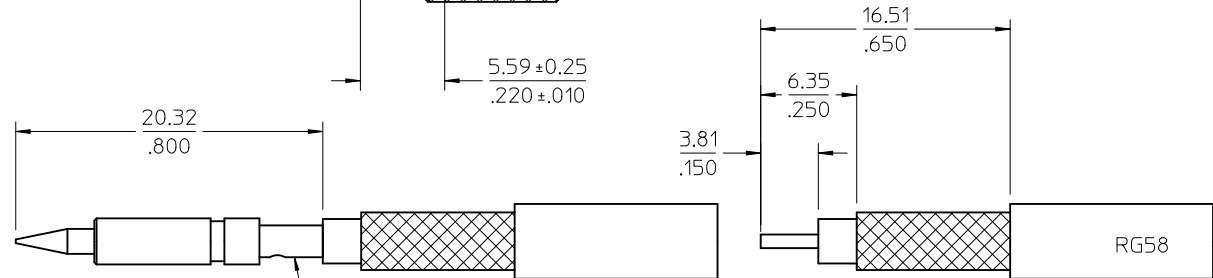
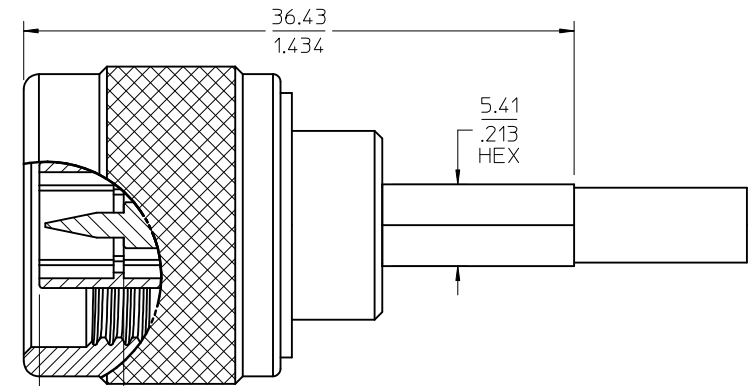
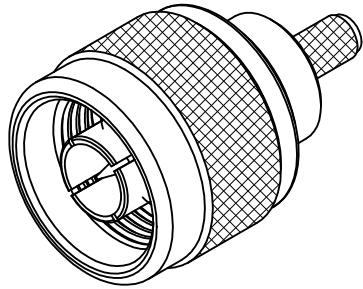
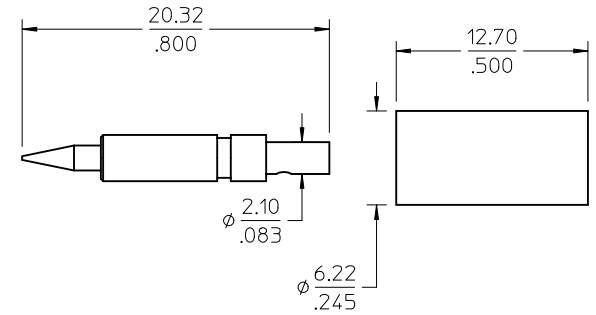
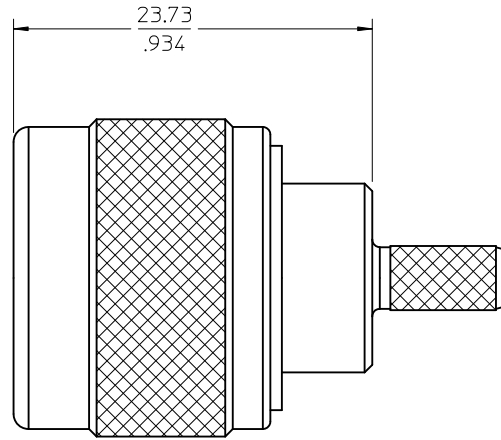
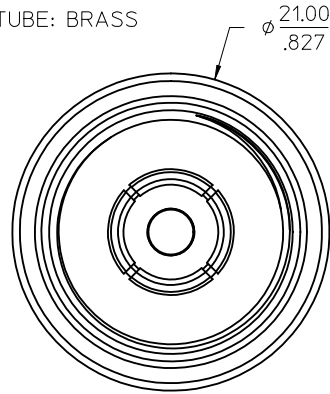
MATERIALS AND FINISHES

BODY, OUTER CONTACT, C'NUT, CRIMP TUBE: BRASS
PLATED NICKEL

CONTACT: BRASS
PLATED GOLD

GASKET: SILICONE RUBBER

SNAP RING: PHOSPHOR BRONZE



SOLDER OR
CRIMP USING
1.73/.068 HEX

73276-2360	1 PIECE 73100-0042 PER BAG
73100-0042	STANDARD
PART NO.	PACKAGING

PS-89675-3220	PRODUCT SPECIFICATION
MIL-STD-348A, FIG. 304.1	INTERFACE
SPECIFICATION	DESCRIPTION

CHG: REDREW IN SD.
ADDED P/N
73276-2360
FOR SINGLE BAG
OPTION. ADDED
ASSY INSTRS.

EC NO: URF2011-0569
DRAWN: AROBERTSON 2011/03/31
CHKD: SSS 2011/03/31
APPR: JWIENER 2011/03/31

B1

QUALITY SYMBOLS
▽=0
▽=0
DESCRIPTION

GENERAL TOLERANCES (UNLESS SPECIFIED)	
4 PLACES ±	---
3 PLACES ±	---
2 PLACES ±	---
1 PLACE ±	---
ANGULAR ± 2 °	
DRAFT WHERE APPLICABLE MUST REMAIN WITHIN DIMENSIONS	

DIMENSION STYLE	
MM/IN	
DRAWN BY	DATE
AROBERTSON	2011/03/31
CHECKED BY	DATE
SSS	2011/03/31
APPROVED BY	DATE
JWIENER	2011/03/31
MATERIAL NO.	SEE TABLE
SIZE	C

SCALE	DESIGN UNITS	THIRD ANGLE PROJECTION
INCH	INCH	☉
TITLE		
N PLUG STRAIGHT 50 OHM FOR RG58 CABLE N-PC		
MOLEX INCORPORATED		
MATERIAL NO.	DOCUMENT NO.	SHEET NO.
SEE TABLE	SD-73100-0042	1 OF 1
THIS DRAWING CONTAINS INFORMATION THAT IS PROPRIETARY TO MOLEX INCORPORATED AND SHOULD NOT BE USED WITHOUT WRITTEN PERMISSION		

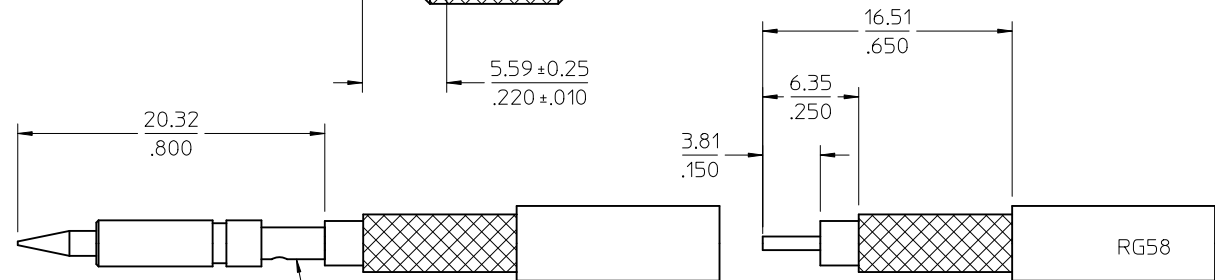
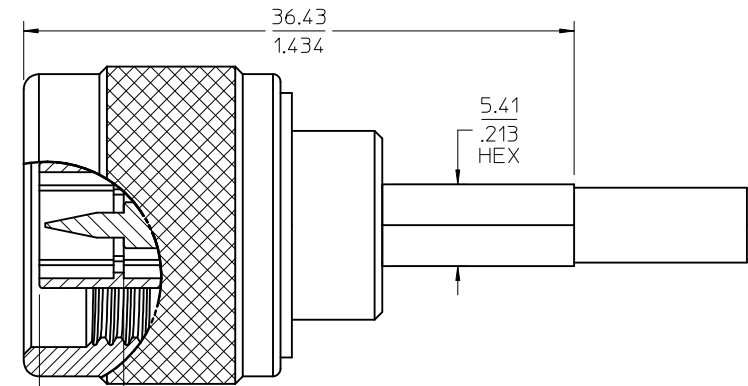
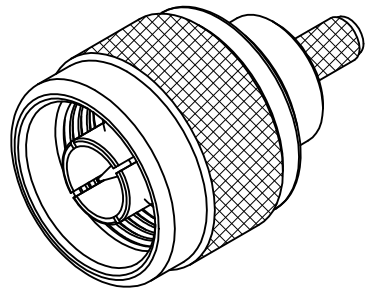
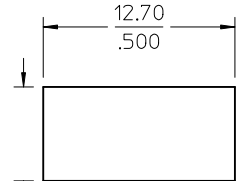
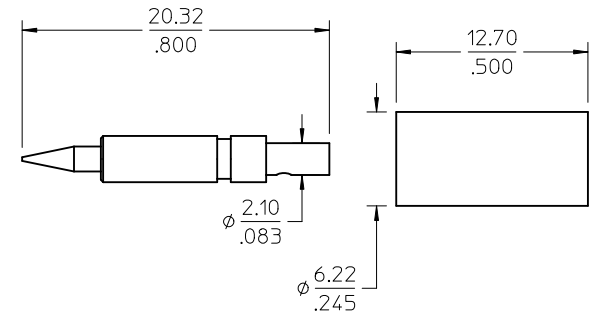
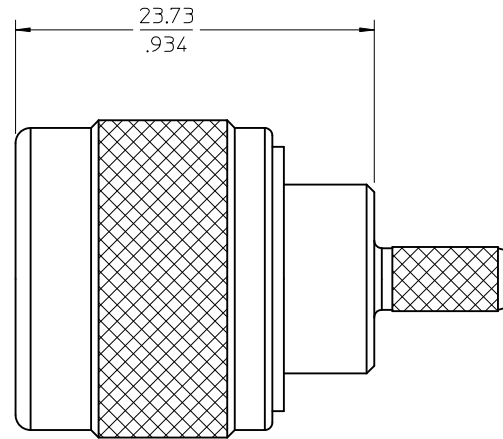
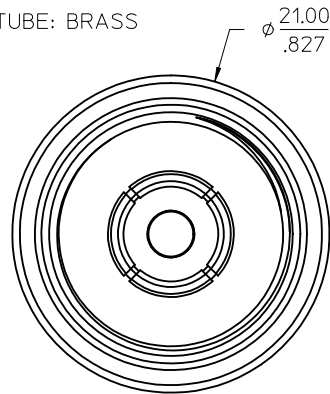
MATERIALS AND FINISHES

BODY, OUTER CONTACT, C'NUT, CRIMP TUBE: BRASS
PLATED NICKEL

CONTACT: BRASS
PLATED GOLD

GASKET: SILICONE RUBBER

SNAP RING: PHOSPHOR BRONZE



73276-2360	1 PIECE 73100-0042 PER BAG
73100-0042	STANDARD
PART NO.	PACKAGING

PS-89675-3220	PRODUCT SPECIFICATION
MIL-STD-348A, FIG. 304.1	INTERFACE
SPECIFICATION	DESCRIPTION

CHG: RELEASE DRAWING.

EC NO: URF2011-0569

DRWN: AROBERTSON 2011/03/31

CHKD: SSS 2011/03/31

APPR: JWIENER 2011/03/31

REV	DESCRIPTION
A	

QUALITY SYMBOLS

▽=0

▽=0

ANGULAR ± 2°

DRAFT WHERE APPLICABLE MUST REMAIN WITHIN DIMENSIONS

GENERAL TOLERANCES (UNLESS SPECIFIED)

	mm	INCH
4 PLACES ±	---	---
3 PLACES ±	---	---
2 PLACES ±	---	---
1 PLACE ±	---	---

DIMENSION STYLE: MM/IN

DRAWN BY: AROBERTSON DATE: 2011/03/31

CHECKED BY: SSS DATE: 2011/03/31

APPROVED BY: JWIENER DATE: 2011/03/31

MATERIAL NO. SEE TABLE

SIZE: C

SCALE: INCH

DESIGN UNITS: INCH

THIRD ANGLE PROJECTION

TITLE: N PLUG STRAIGHT 50 OHM FOR RG58 CABLE N-PC

MOLEX MOLEX INCORPORATED

DOCUMENT NO. SD-73276-236

SHEET NO. 1 OF 1

THIS DRAWING CONTAINS INFORMATION THAT IS PROPRIETARY TO MOLEX INCORPORATED AND SHOULD NOT BE USED WITHOUT WRITTEN PERMISSION