



Chipsmall Limited consists of a professional team with an average of over 10 year of expertise in the distribution of electronic components. Based in Hongkong, we have already established firm and mutual-benefit business relationships with customers from,Europe,America and south Asia,supplying obsolete and hard-to-find components to meet their specific needs.

With the principle of “Quality Parts,Customers Priority,Honest Operation,and Considerate Service”,our business mainly focus on the distribution of electronic components. Line cards we deal with include Microchip,ALPS,ROHM,Xilinx,Pulse,ON,Everlight and Freescale. Main products comprise IC,Modules,Potentiometer,IC Socket,Relay,Connector.Our parts cover such applications as commercial,industrial, and automotives areas.

We are looking forward to setting up business relationship with you and hope to provide you with the best service and solution. Let us make a better world for our industry!



## Contact us

Tel: +86-755-8981 8866 Fax: +86-755-8427 6832

Email & Skype: info@chipsmall.com Web: www.chipsmall.com

Address: A1208, Overseas Decoration Building, #122 Zhenhua RD., Futian, Shenzhen, China



MATERIALS AND FINISHES

BODY ZINC ALLOY  
PLATED NICKEL

CENTER CONTACT PHOSPHOR BRONZE  
PLATED GOLD

INSULATOR POLYPROPYLENE (94 V-2)

HOUSING POLYESTER BUTLYENE TEREPHTHALATE  
COLOR WHITE

MOUNTING POST BRASS  
PLATED TIN

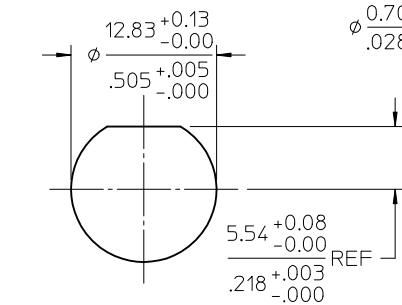
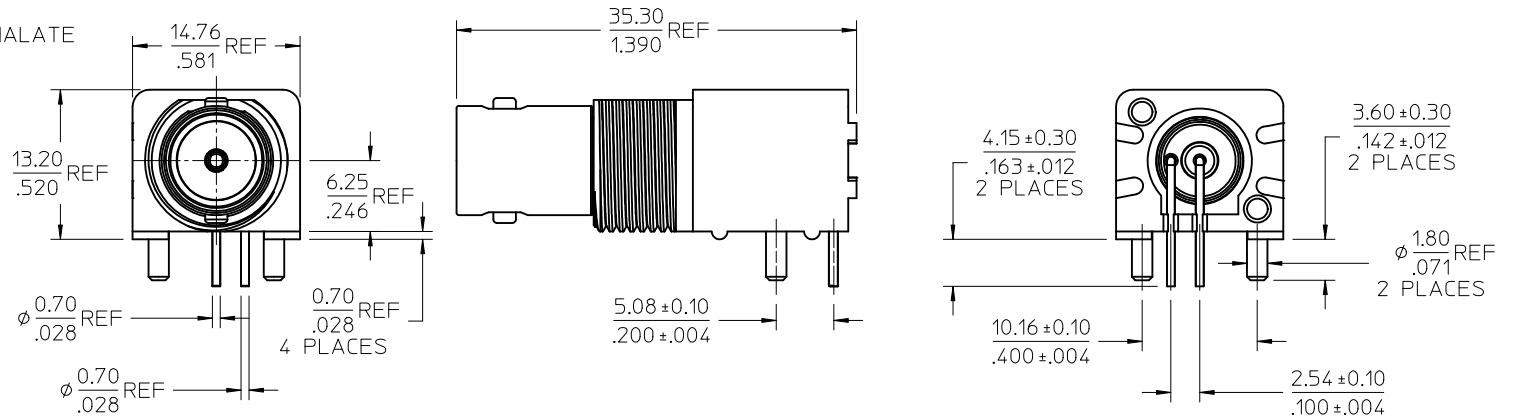
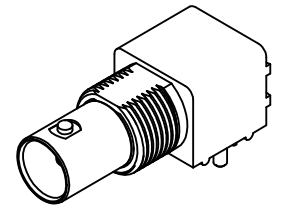
SOLDER TAIL BRASS WIRE  
PLATED TIN

LOCKWASHER PHOSPHOR BRONZE  
PLATED NICKEL

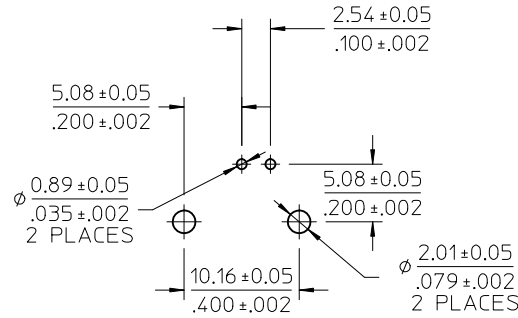
JAM NUT BRASS  
PLATED NICKEL

BNC JACK  
INTERFACE  
75 OHM

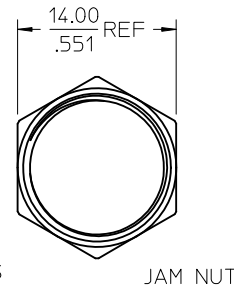
1/2-28 UNEF-2A



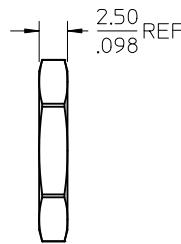
RECOMMENDED MOUNTING HOLE  
PANEL THICKNESS: 5.50(.217) MAX  
RECOMMENDED MOUNTING TORQUE:  
0.56 N-m(5 INCH-LBS)



RECOMMENDED PCB LAYOUT



JAM NUT



LOCKWASHER

PS-89675-1030	ELECT / MECH
SPECIFICATION	DESCRIPTION

73171-2990	73100-0069, ONE PER BAG
73100-0069	PLASTIC TRAYS
PART NO.	PACKAGING

CHG: PS WAS PS-73598-0051	EC NO: URF2012-0549	DESCRIPTION
	DRWN: WIENER 2012/03/14	
	CHKD: SSS 2012/03/14	
	APPR: WIENER 2012/03/20	
REV: A2		

QUALITY SYMBOLS ▽=0 ▽=0	GENERAL TOLERANCES (UNLESS SPECIFIED)	DIMENSION STYLE MM/IN	SCALE	DESIGN UNITS METRIC	THIRD ANGLE PROJECTION
	4 PLACES ± --- ± --- 3 PLACES ± --- ± --- 2 PLACES ± --- ± --- 1 PLACE ± --- ± --- ANGULAR ± 2 °	mm INCH	DRAWN BY DATE CHECKED BY DATE APPROVED BY DATE	TITLE	BNC JACK, R/A, PCB RECEPTACLE, 75 OHMS BNC-J/RA/PCB
DRAFT WHERE APPLICABLE MUST REMAIN WITHIN DIMENSIONS	MATERIAL NO. SEE TABLE	DOCUMENT NO. SD-73100-0069	MOLEX INCORPORATED		
	SIZE C	THIS DRAWING CONTAINS INFORMATION THAT IS PROPRIETARY TO MOLEX INCORPORATED AND SHOULD NOT BE USED WITHOUT WRITTEN PERMISSION			SHEET NO. 1 OF 1