



Chipsmall Limited consists of a professional team with an average of over 10 year of expertise in the distribution of electronic components. Based in Hongkong, we have already established firm and mutual-benefit business relationships with customers from,Europe,America and south Asia,supplying obsolete and hard-to-find components to meet their specific needs.

With the principle of “Quality Parts,Customers Priority,Honest Operation,and Considerate Service”,our business mainly focus on the distribution of electronic components. Line cards we deal with include Microchip,ALPS,ROHM,Xilinx,Pulse,ON,Everlight and Freescale. Main products comprise IC,Modules,Potentiometer,IC Socket,Relay,Connector.Our parts cover such applications as commercial,industrial, and automotives areas.

We are looking forward to setting up business relationship with you and hope to provide you with the best service and solution. Let us make a better world for our industry!



## Contact us

Tel: +86-755-8981 8866 Fax: +86-755-8427 6832

Email & Skype: info@chipsmall.com Web: www.chipsmall.com

Address: A1208, Overseas Decoration Building, #122 Zhenhua RD., Futian, Shenzhen, China



MATERIALS AND FINISHES

BODY ZINC ALLOY  
PLATED NICKEL

CENTER CONTACT PHOSPHOR BRONZE  
PLATED GOLD

INSULATOR POLYPROPYLENE

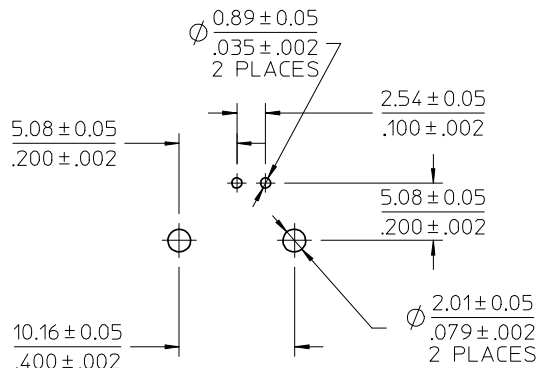
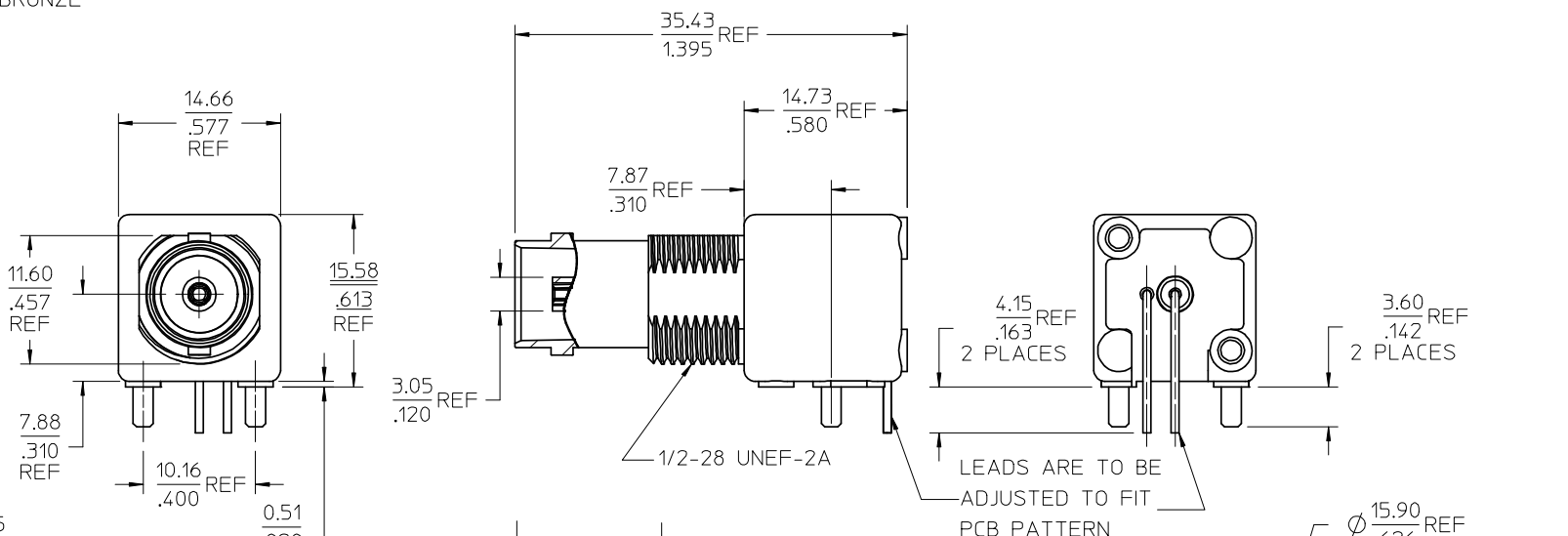
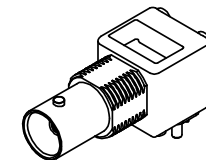
MOUNTING POST BRASS  
PLATED TIN

SOLDER TAIL STEEL  
PLATED TIN

WASHER PHOSPHOR BRONZE  
PLATED NICKEL

JAM NUT BRASS  
PLATED NICKEL

BNC JACK  
75 OHM  
INTERFACE



RECOMMENDED PCB HOLE

RECOMMENDED MOUNTING HOLE  
PANEL THICKNESS: 5.40(.213) MAX  
RECOMMENDED MOUNTING  
TORQUE: 1.36 N-m(12 INCH-LBS) MAX

73171-3020	73100-0080, ONE PER BAG
73100-0080	TRAY PACK
PART NO.	PACKAGING

PS-73598-0051	PRODUCT SPECIFICATION
SPECIFICATION	DESCRIPTION

CHG: ADD 14.73 REF AND 7.87 REF	EC NO: URF2008-0413	2008/02/08	DRWN: WIENER	2008/02/08	CHKD: SHAH	2008/02/11	APPR: WIENER	2008/02/11
B2	DESCRIPTION	QUALITY SYMBOLS	DESCRIPTION	QUALITY SYMBOLS	DESCRIPTION	QUALITY SYMBOLS	DESCRIPTION	QUALITY SYMBOLS

GENERAL TOLERANCES (UNLESS SPECIFIED)		DIMENSION STYLE MM/IN		SCALE	DESIGN UNITS METRIC	THIRD ANGLE PROJECTION
4 PLACES	± .005	mm	INCH	DRAWN BY	DATE	TITLE
3 PLACES	± .005	mm	INCH	DENG	1993/02/04	BNC JACK, R/A RECEPTACLE, 75 OHMS BNC-J/RA/PCB
2 PLACES	± .005	mm	INCH	CHECKED BY	DATE	
1 PLACE	± .005	mm	INCH	APPROVED BY	DATE	
ANGULAR ± 2 °		SEE TABLE		KHW	1993/02/11	MOLEX INCORPORATED
DRAFT WHERE APPLICABLE MUST REMAIN WITHIN DIMENSIONS		MATERIAL NO.		DOCUMENT NO.		SHEET NO.
		SEE TABLE		SD-73100-0080		1 OF 1
THIS DRAWING CONTAINS INFORMATION THAT IS PROPRIETARY TO MOLEX INCORPORATED AND SHOULD NOT BE USED WITHOUT WRITTEN PERMISSION						