



Chipsmall Limited consists of a professional team with an average of over 10 year of expertise in the distribution of electronic components. Based in Hongkong, we have already established firm and mutual-benefit business relationships with customers from,Europe,America and south Asia,supplying obsolete and hard-to-find components to meet their specific needs.

With the principle of “Quality Parts,Customers Priority,Honest Operation,and Considerate Service”,our business mainly focus on the distribution of electronic components. Line cards we deal with include Microchip,ALPS,ROHM,Xilinx,Pulse,ON,Everlight and Freescale. Main products comprise IC,Modules,Potentiometer,IC Socket,Relay,Connector.Our parts cover such applications as commercial,industrial, and automotives areas.

We are looking forward to setting up business relationship with you and hope to provide you with the best service and solution. Let us make a better world for our industry!



Contact us

Tel: +86-755-8981 8866 Fax: +86-755-8427 6832

Email & Skype: info@chipsmall.com Web: www.chipsmall.com

Address: A1208, Overseas Decoration Building, #122 Zhenhua RD., Futian, Shenzhen, China



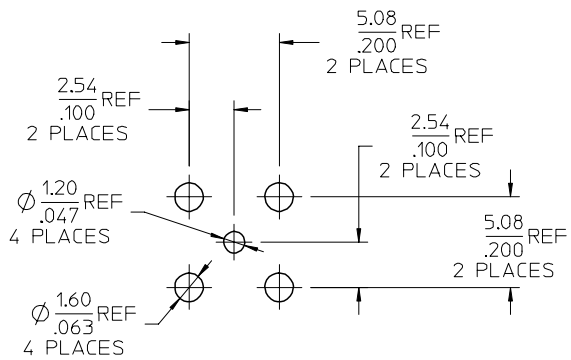
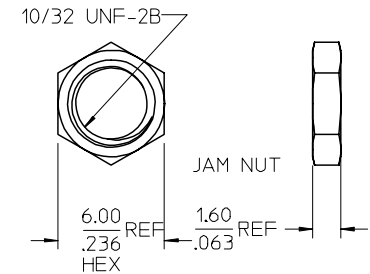
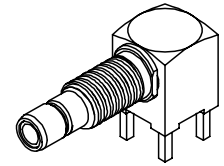
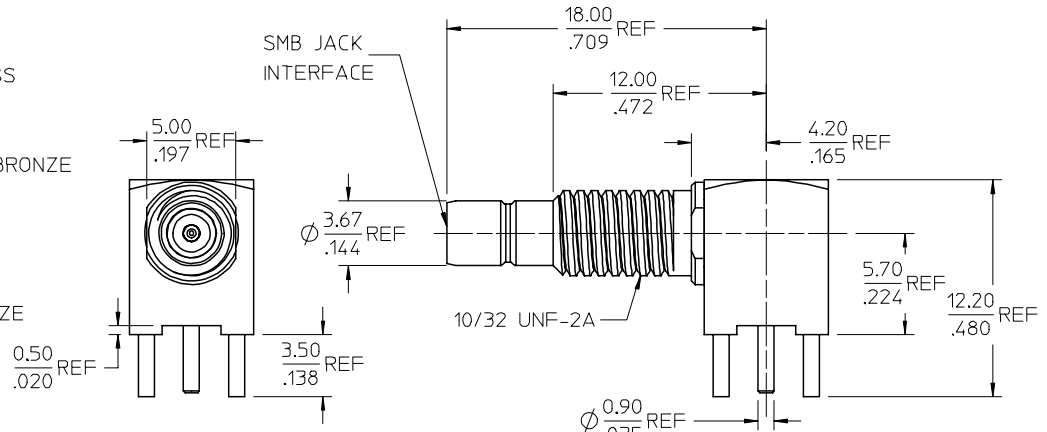
MATERIALS AND FINISHES

BODY, JAM NUT, WASHER BRASS
PLATED GOLD

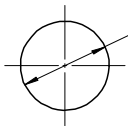
CENTER CONTACT PHOSPHOR BRONZE
PLATED GOLD

INSULATOR TEFLON

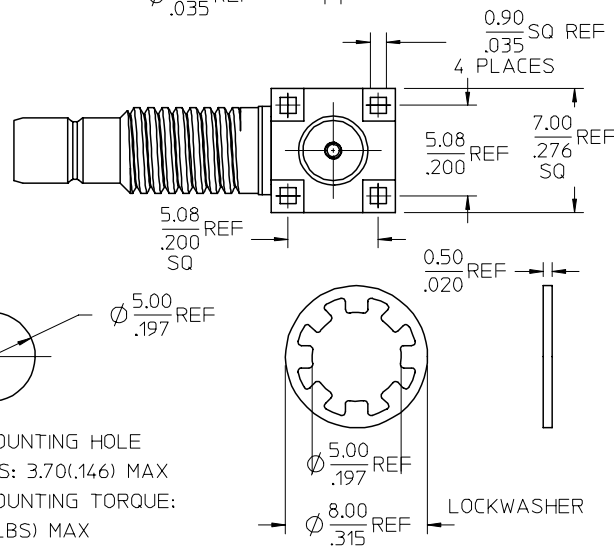
LOCKWASHER PHOSPHOR BRONZE
PLATED GOLD



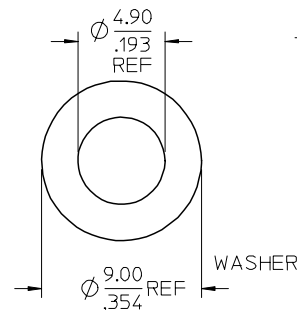
RECOMMENDED PCB HOLE



RECOMMENDED MOUNTING HOLE
PANEL THICKNESS: 3.70(.146) MAX
RECOMMENDED MOUNTING TORQUE:
0.51 N-m(4.50 IN-LBS) MAX



LOCKWASHER



WASHER

NOTE:
RF LEAKAGE AND VSWR ARE NOT
APPLICABLE IN 73598-0099

73396-0570	SMALL TRAY PACKING
73404-2270	73100-0097, ONE PER BAG
73100-0097	PLASTIC TRAYS
PART NO.	PACKAGING

MIL-STD-348A, FIG 311.1	INTERFACE
PS-73598-0099	PRODUCT SPECIFICATION
SPECIFICATION	DESCRIPTION

CHG: ADD NOTE
73396-0570 SMALL
TRAY PACKING
FC NO: URF2008-0101
DRAWN: SCHOU 2007/08/28
CHKD: 2007/08/28
APPR: MJIANG 2007/08/29
REV DESCRIPTION

QUALITY SYMBOLS
=0
=0

GENERAL TOLERANCES (UNLESS SPECIFIED)	
mm	INCH
4 PLACES ±	±
3 PLACES ±	±
2 PLACES ±	±
1 PLACE ±	±
ANGULAR ± 2 °	
DRAFT WHERE APPLICABLE MUST REMAIN WITHIN DIMENSIONS	

DIMENSION STYLE	
MM/IN	
DRAWN BY	DATE
MART IN	1993/07/29
CHECKED BY	DATE
APPROVED BY	DATE
MATERIAL NO.	DOCUMENT NO.
SEE TABLE	SD-73100-0097

SCALE	DESIGN UNITS	THIRD ANGLE PROJECTION
	METRIC	
TITLE SMB JACK R/A PCB, 50 OHMS SMB-J/RA/PCB		
MOLEX INCORPORATED		
SHEET NO. 1 OF 1		