



Chipsmall Limited consists of a professional team with an average of over 10 year of expertise in the distribution of electronic components. Based in Hongkong, we have already established firm and mutual-benefit business relationships with customers from,Europe,America and south Asia,supplying obsolete and hard-to-find components to meet their specific needs.

With the principle of “Quality Parts,Customers Priority,Honest Operation,and Considerate Service”,our business mainly focus on the distribution of electronic components. Line cards we deal with include Microchip,ALPS,ROHM,Xilinx,Pulse,ON,Everlight and Freescale. Main products comprise IC,Modules,Potentiometer,IC Socket,Relay,Connector.Our parts cover such applications as commercial,industrial, and automotives areas.

We are looking forward to setting up business relationship with you and hope to provide you with the best service and solution. Let us make a better world for our industry!



Contact us

Tel: +86-755-8981 8866 Fax: +86-755-8427 6832

Email & Skype: info@chipsmall.com Web: www.chipsmall.com

Address: A1208, Overseas Decoration Building, #122 Zhenhua RD., Futian, Shenzhen, China



MATERIALS AND FINISHES

BODY ZINC ALLOY
PLATED NICKEL

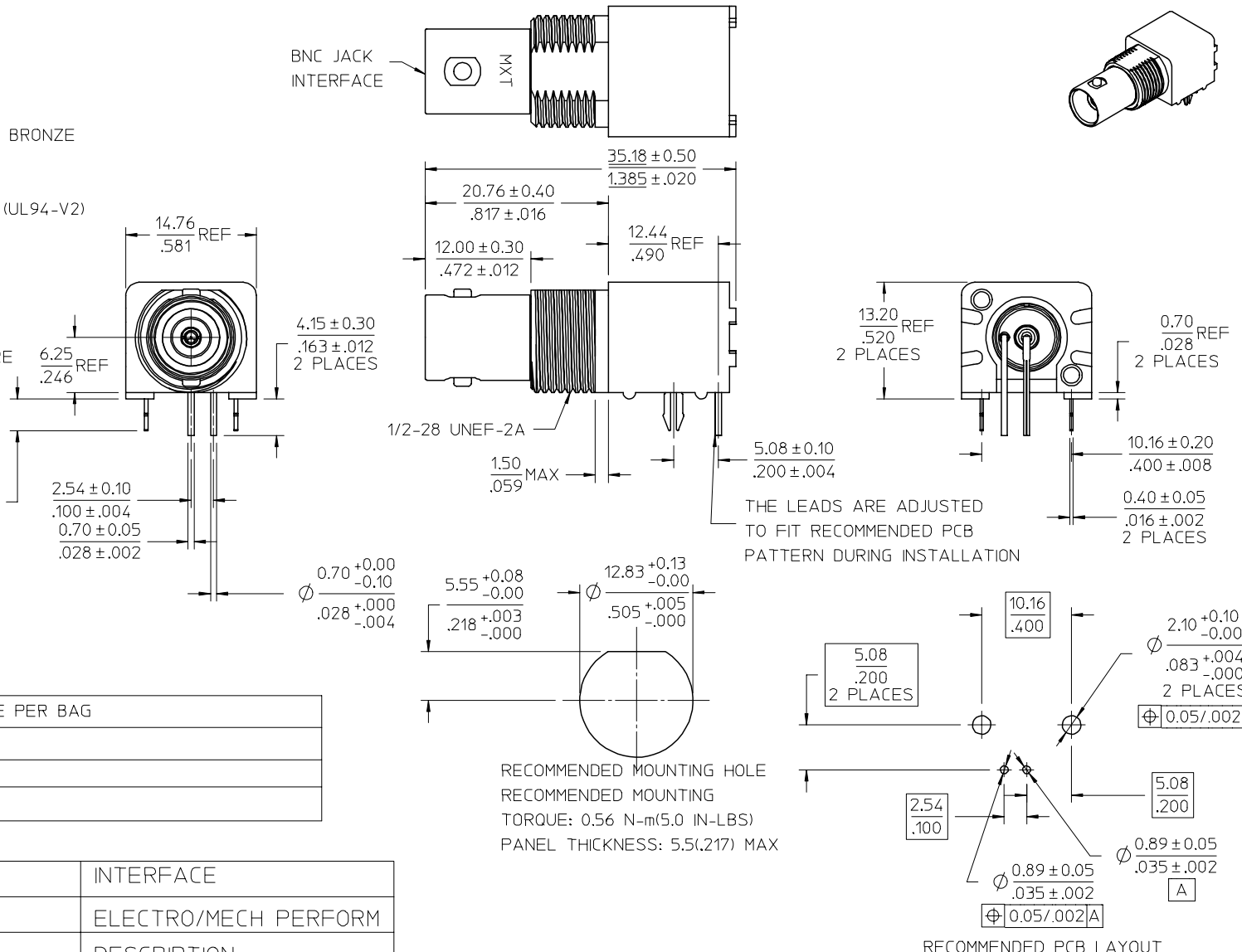
CENTER CONTACT PHOSPHOR BRONZE
PLATED GOLD

INSULATOR POLYPROPYLENE (UL94-V2)

HOUSING P.B.T.
COLOR WHITE

SOLDER TAIL
COPPER COVERED STEEL WIRE
PLATED TIN

BOARD LOCK CLIP
PHOSPHOR BRONZE
PLATED TIN



73171-3040	73100-0131, ONE PER BAG
73100-0131	TRAY PACK
PART NO.	PACKAGING

ES-73599-0000	INTERFACE
PS-73598-0050	ELECTRO/MECH PERFORM
SPECIFICATION	DESCRIPTION

CHG: REDREW IN SD ADDED P/N 73171-3070	FC NO: URF2007-0396 DRAWN: FLAHERTY 2007/05/04 CHKD: SHAH 2007/05/04 APPR: JIMENER 2007/05/04	QUALITY SYMBOLS =0 =0	GENERAL TOLERANCES (UNLESS SPECIFIED)		DIMENSION STYLE MM/IN		SCALE	DESIGN UNITS METRIC	THIRD ANGLE PROJECTION
			4 PLACES ± --- ± ---	3 PLACES ± --- ± ---	2 PLACES ± --- ± ---	1 PLACE ± --- ± ---	ANGULAR ± --- °	DRAWN BY KELLY	DATE 1994/01/14
DRAFT WHERE APPLICABLE MUST REMAIN WITHIN DIMENSIONS			SEE TABLE		MATERIAL NO.		DOCUMENT NO.		SHEET NO.
B1			C		SD-73100-0131		MOLEX INCORPORATED		1 OF 1