



Chipsmall Limited consists of a professional team with an average of over 10 year of expertise in the distribution of electronic components. Based in Hongkong, we have already established firm and mutual-benefit business relationships with customers from,Europe,America and south Asia,supplying obsolete and hard-to-find components to meet their specific needs.

With the principle of “Quality Parts,Customers Priority,Honest Operation,and Considerate Service”,our business mainly focus on the distribution of electronic components. Line cards we deal with include Microchip,ALPS,ROHM,Xilinx,Pulse,ON,Everlight and Freescale. Main products comprise IC,Modules,Potentiometer,IC Socket,Relay,Connector.Our parts cover such applications as commercial,industrial, and automotives areas.

We are looking forward to setting up business relationship with you and hope to provide you with the best service and solution. Let us make a better world for our industry!



Contact us

Tel: +86-755-8981 8866 Fax: +86-755-8427 6832

Email & Skype: info@chipsmall.com Web: www.chipsmall.com

Address: A1208, Overseas Decoration Building, #122 Zhenhua RD., Futian, Shenzhen, China



MATERIALS AND FINISHES

BODY ZINC ALLOY
PLATED NICKEL

CENTER CONTACT PHOSPHOR BRONZE
PLATED GOLD

INSULATOR POLYPROPYLENE (94 V-2)

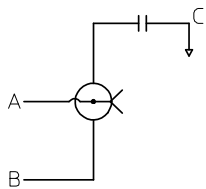
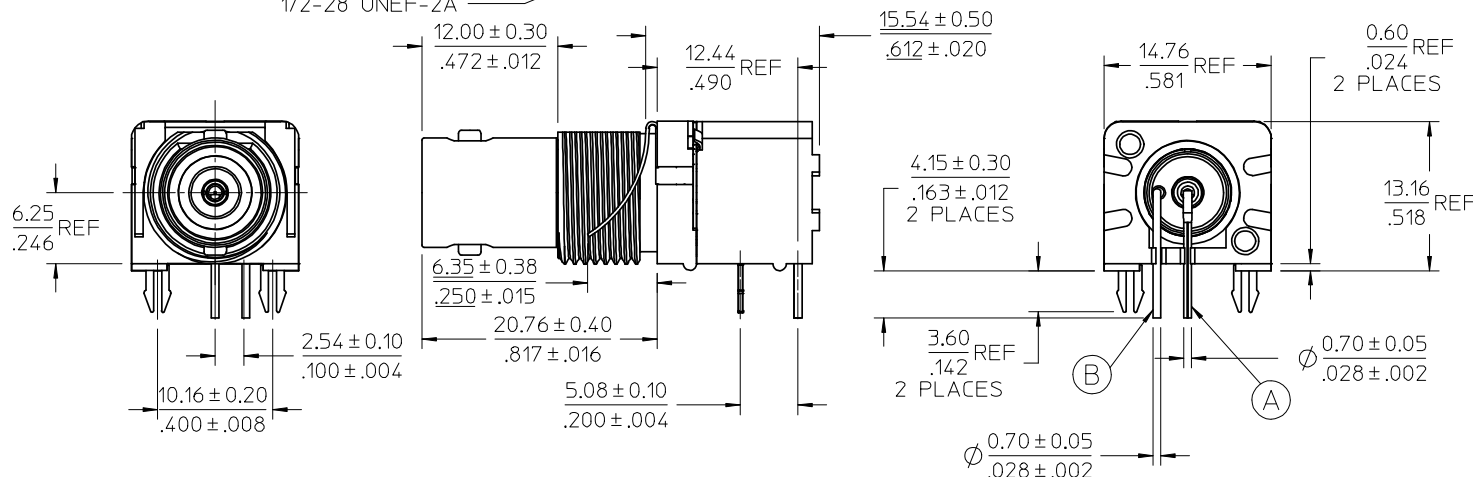
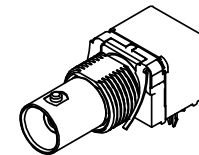
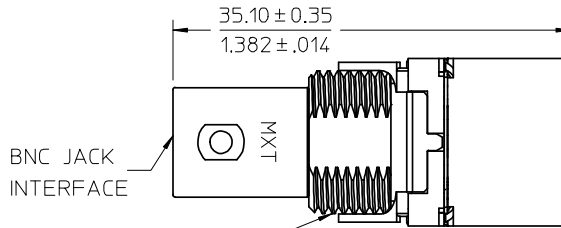
HOUSING VALOX 420-SE0
COLOR BLACK

SOLDER TAIL COPPER OVER STEEL WIRE
PLATED TIN

FRONT CLIP PHOSPHOR BRONZE
PLATED NICKEL

CHIP CAPACITOR MULTILAYER CERAMIC

BOARD LOCK CLIP PHOSPHOR BRONZE
PLATED TIN



SCHEMATIC
9400 ± 20% PF, 1.5 KV W V_{dc}

RECOMMENDED MOUNTING HOLE
RECOMMENDED MOUNTING TORQUE:
0.56 N-m(5.00 IN-LBS)
PANEL THICKNESS: 5.5(.217) MAX

RECOMMENDED PCB HOLE

PART # 73100-0134

ES-73599-0000	INTERFACE
PS-73598-0010	ELECTRO/MECH PERFORM.
SPECIFICATION	DESCRIPTION

CHG: CONVERT TO SOLID DESIGNER EC NO: URF2008-0413 DRWN: WIENER 2008/02/08 CHKD: SHAH 2008/02/08 APPR: WIENER 2008/02/11 REV: B1	QUALITY SYMBOLS ▽=0 ▽=0	GENERAL TOLERANCES (UNLESS SPECIFIED) <table border="1"> <tr> <th></th> <th>mm</th> <th>INCH</th> </tr> <tr> <td>4 PLACES</td> <td>± .005</td> <td>± .0004</td> </tr> <tr> <td>3 PLACES</td> <td>± .004</td> <td>± .0003</td> </tr> <tr> <td>2 PLACES</td> <td>± .003</td> <td>± .0002</td> </tr> <tr> <td>1 PLACE</td> <td>± .002</td> <td>± .0001</td> </tr> </table> ANGULAR ± 2°		mm	INCH	4 PLACES	± .005	± .0004	3 PLACES	± .004	± .0003	2 PLACES	± .003	± .0002	1 PLACE	± .002	± .0001	DIMENSION STYLE MM/IN	SCALE DESIGN UNITS METRIC	THIRD ANGLE PROJECTION
		mm	INCH																	
4 PLACES	± .005	± .0004																		
3 PLACES	± .004	± .0003																		
2 PLACES	± .003	± .0002																		
1 PLACE	± .002	± .0001																		
DRAWN BY THOMPSON DATE 1994/02/16 CHECKED BY IRIS WANG DATE 1994/02/16 APPROVED BY R FIELDS DATE 1994/02/16	TITLE BNC JACK, R/A RECEPTACLE 50 OHMS FILTER BNC-J/PCB/RA/BK	MATERIAL NO. 731000134	DOCUMENT NO. SD-73100-0134	SHEET NO. 1 OF 1	MOLEX INCORPORATED															

DRAFT WHERE APPLICABLE
MUST REMAIN
WITHIN DIMENSIONS

THIS DRAWING CONTAINS INFORMATION THAT IS PROPRIETARY TO MOLEX INCORPORATED AND SHOULD NOT BE USED WITHOUT WRITTEN PERMISSION