



Chipsmall Limited consists of a professional team with an average of over 10 year of expertise in the distribution of electronic components. Based in Hongkong, we have already established firm and mutual-benefit business relationships with customers from,Europe,America and south Asia,supplying obsolete and hard-to-find components to meet their specific needs.

With the principle of “Quality Parts,Customers Priority,Honest Operation,and Considerate Service”,our business mainly focus on the distribution of electronic components. Line cards we deal with include Microchip,ALPS,ROHM,Xilinx,Pulse,ON,Everlight and Freescale. Main products comprise IC,Modules,Potentiometer,IC Socket,Relay,Connector.Our parts cover such applications as commercial,industrial, and automotives areas.

We are looking forward to setting up business relationship with you and hope to provide you with the best service and solution. Let us make a better world for our industry!



Contact us

Tel: +86-755-8981 8866 Fax: +86-755-8427 6832

Email & Skype: info@chipsmall.com Web: www.chipsmall.com

Address: A1208, Overseas Decoration Building, #122 Zhenhua RD., Futian, Shenzhen, China



MATERIALS AND FINISHES

BODY: ZINC ALLOY
PLATED NICKEL

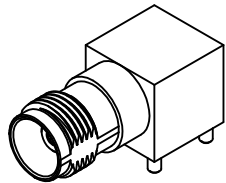
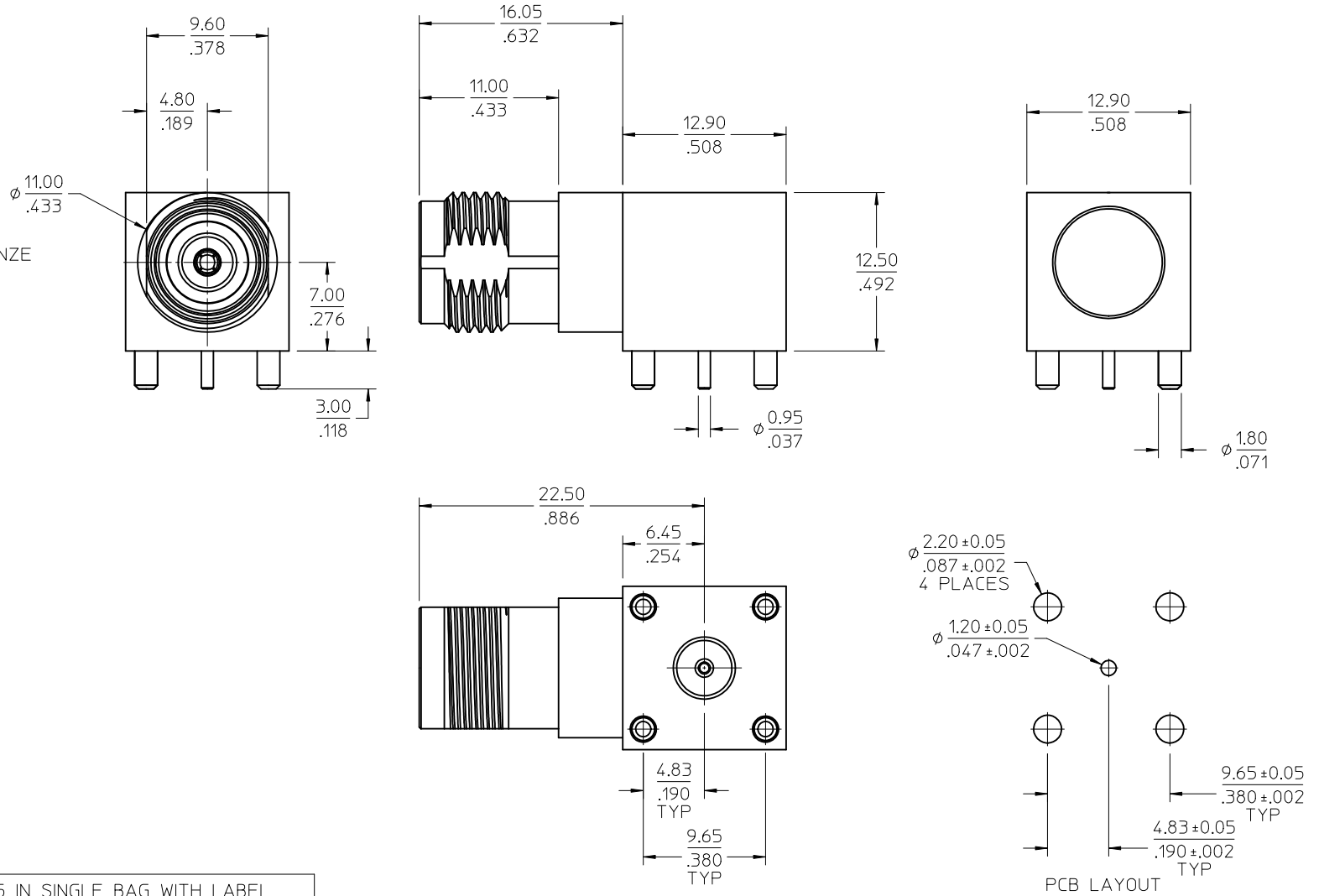
RING, CAP: BRASS
PLATED NICKEL

LEGS: BRASS
PLATED TIN

CONTACT FRONT: PHOSPHOR BRONZE
PLATED GOLD

CONTACT REAR: BRASS
PLATED GOLD

INSULATORS: TEFLON



73216-2710	1 PIECE 73100-0135 IN SINGLE BAG WITH LABEL
73100-0135	STANDARD
PART NO.	PACKAGING

PS-89675-1400	PRODUCT SPECIFICATION
MIL-STD-348A, FIG. 313.2	INTERFACE
SPECIFICATION	DESCRIPTION

CHG: REDREW IN SD. ADDED 73216-2710 FOR SINGLE BAG OPTION.	EC NO: URF2011-0573	2011/03/31
	DRWN: AROBERTSON	2011/03/31
	CHKD: SSS	2011/03/31
	APPR: JWIENER	2011/04/04
REV	A1	

QUALITY SYMBOLS	▼=0
	▽=0

GENERAL TOLERANCES (UNLESS SPECIFIED)	mm	INCH
4 PLACES	± .005	± .0002
3 PLACES	± .005	± .0002
2 PLACES	± .005	± .0002
1 PLACE	± .005	± .0002
ANGULAR ± 2 °		
DRAFT WHERE APPLICABLE MUST REMAIN WITHIN DIMENSIONS		

DIMENSION STYLE		SCALE	DESIGN UNITS
MM/IN			METRIC
THIRD ANGLE PROJECTION			
DRAWN BY	DATE	TITLE	
AROBERTSON	2011/03/31	TNC JACK RA	
CHECKED BY	DATE	PCB TH 50 OHM	
SSS	2011/03/31	TNC-J/PCB	
APPROVED BY	DATE		
JWIENER	2011/04/04		
MATERIAL NO.	DOCUMENT NO.	SHEET NO.	
SEE TABLE	SD-73100-0135	1 OF 1	
THIS DRAWING CONTAINS INFORMATION THAT IS PROPRIETARY TO MOLEX INCORPORATED AND SHOULD NOT BE USED WITHOUT WRITTEN PERMISSION			

MOLEX INCORPORATED	
SD-73100-0135	
1 OF 1	

MATERIALS AND FINISHES

BODY: ZINC ALLOY
PLATED NICKEL

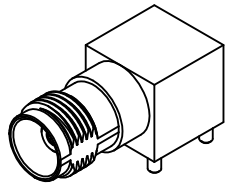
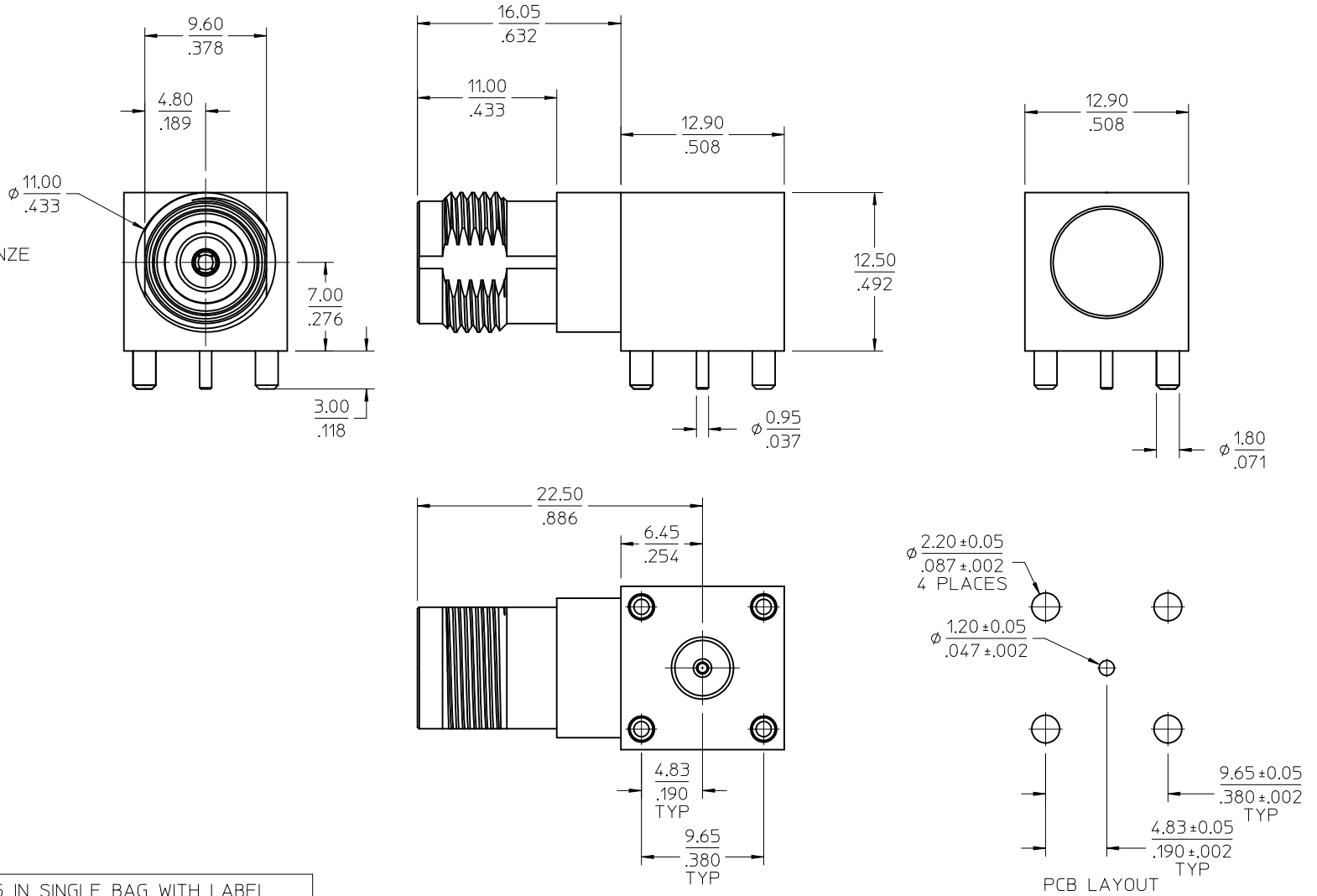
RING, CAP: BRASS
PLATED NICKEL

LEGS: BRASS
PLATED TIN

CONTACT FRONT: PHOSPHOR BRONZE
PLATED GOLD

CONTACT REAR: BRASS
PLATED GOLD

INSULATORS: TEFLON



73216-2710	1 PIECE 73100-0135 IN SINGLE BAG WITH LABEL
73100-0135	STANDARD
PART NO.	PACKAGING

PS-89675-1400	PRODUCT SPECIFICATION
MIL-STD-348A, FIG. 313.2	INTERFACE
SPECIFICATION	DESCRIPTION

CHG: RELEASE DRAWING.	EC NO: URF2011-0573
	DRWN: AROBERTSON 2011/04/01
REV	CHKD: SSS 2011/04/01
	APPR: JWIENER 2011/04/04

QUALITY SYMBOLS	GENERAL TOLERANCES (UNLESS SPECIFIED)
▽=0	mm INCH
▽=0	4 PLACES ± --- ± ---
	3 PLACES ± --- ± ---
	2 PLACES ± --- ± ---
	1 PLACE ± --- ± ---
	ANGULAR ± 2 °
	DRAFT WHERE APPLICABLE MUST REMAIN WITHIN DIMENSIONS

DIMENSION STYLE	SCALE	DESIGN UNITS	THIRD ANGLE PROJECTION
MM/IN	METRIC	METRIC	
DRAWN BY	DATE	TITLE	
AROBERTSON	2011/04/01	TNC JACK RA PCB TH 50 OHM TNC-J/PCB, EWR-4676	
CHECKED BY	DATE		
SSS	2011/04/01		
APPROVED BY	DATE		
JWIENER	2011/04/04		
MATERIAL NO.	DOCUMENT NO.		
SEE TABLE	SD-73216-271		
SIZE			

MATERIAL NO.		DOCUMENT NO.		SHEET NO.	
SEE TABLE		SD-73216-271		1 OF 1	
THIS DRAWING CONTAINS INFORMATION THAT IS PROPRIETARY TO MOLEX INCORPORATED AND SHOULD NOT BE USED WITHOUT WRITTEN PERMISSION					