



Chipsmall Limited consists of a professional team with an average of over 10 year of expertise in the distribution of electronic components. Based in Hongkong, we have already established firm and mutual-benefit business relationships with customers from,Europe,America and south Asia,supplying obsolete and hard-to-find components to meet their specific needs.

With the principle of “Quality Parts,Customers Priority,Honest Operation,and Considerate Service”,our business mainly focus on the distribution of electronic components. Line cards we deal with include Microchip,ALPS,ROHM,Xilinx,Pulse,ON,Everlight and Freescale. Main products comprise IC,Modules,Potentiometer,IC Socket,Relay,Connector.Our parts cover such applications as commercial,industrial, and automotives areas.

We are looking forward to setting up business relationship with you and hope to provide you with the best service and solution. Let us make a better world for our industry!



Contact us

Tel: +86-755-8981 8866 Fax: +86-755-8427 6832

Email & Skype: info@chipsmall.com Web: www.chipsmall.com

Address: A1208, Overseas Decoration Building, #122 Zhenhua RD., Futian, Shenzhen, China



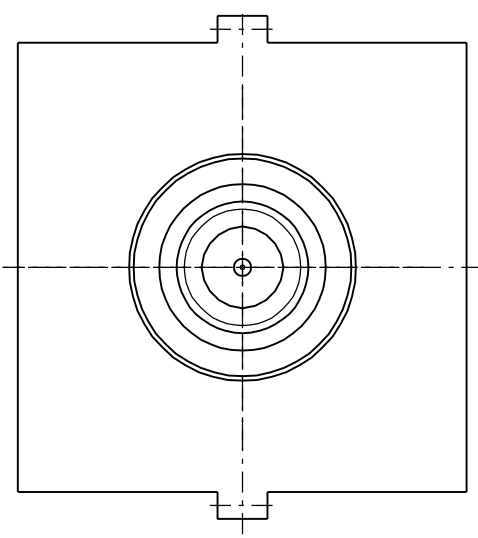
ENG. NO.

EDP NO.

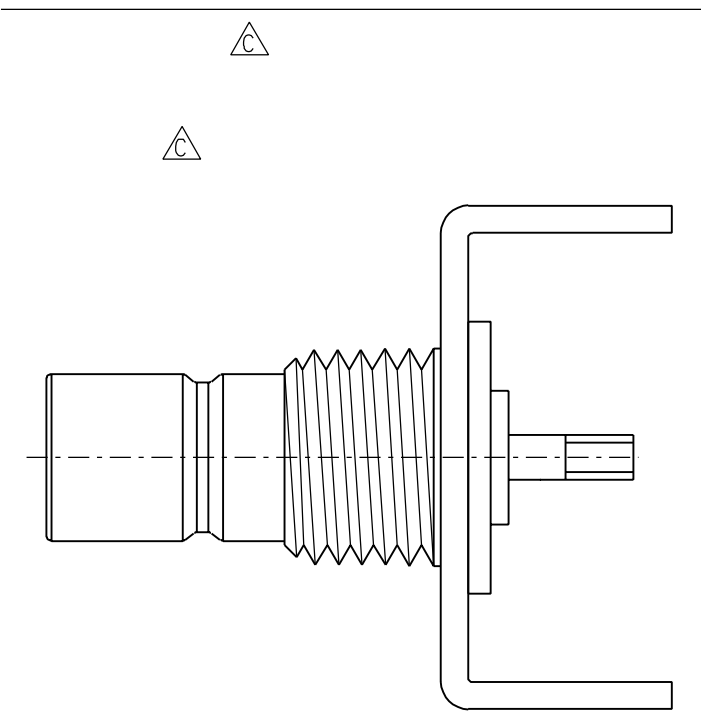
SIMILAR ITEM

CADFILE NO.

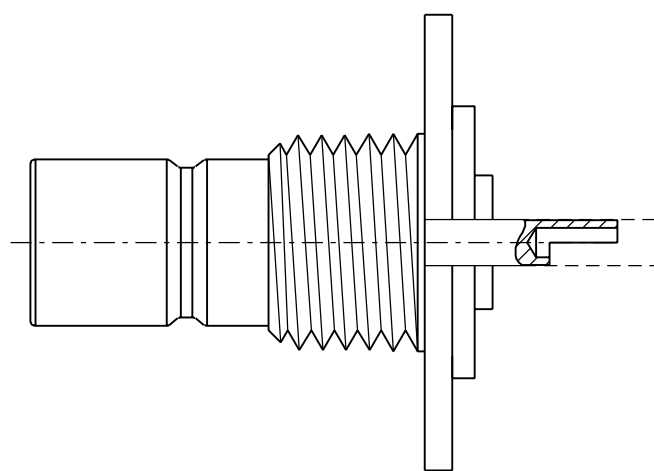
DO NOT SCALE DRAWING



TYP.

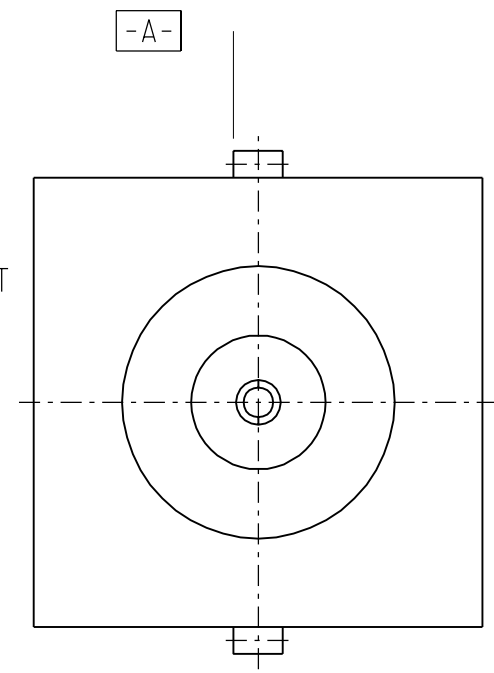


SPECIAL 75 OHM SMB JACK ASSEMBLY

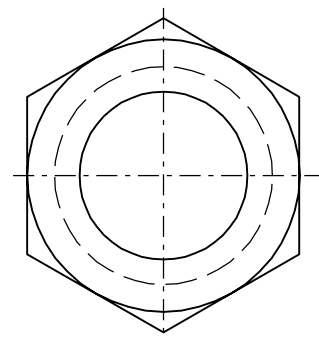


SLOT ALIGNMENT

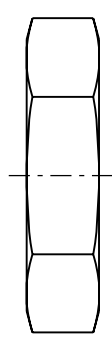
∥ A 0.15



RECOMMENDED PANEL MOUNTING HOLE
 PANEL THICKNESS: 1.775±0.025
 MOUNTING TORQUE: 7-10 INCH/POUNDS



NUT



CONSTRUCTION :

- BODY ----- BRASS
- DIELECTRIC ----- TEFLON
- CONTACT ----- BRASS
- FLANGE ----- PHOSPHOR BRONZE
- NUT ----- BRASS

FINISH:

- BODY ----- GOLD PLATING
- CONTACT ----- GOLD PLATING
- FLANGE ----- TIN PLATING (200-400)Å
- NUT ----- GOLD PLATING

MECHANICAL AND ELECTRICAL CHARACTERISTICS:

△ PER PRODUCT SPECIFICATION: PS-73598-0093
 (INSERTION LOSS IS NOT APPLICABLE)

MATERIAL AND FINISHES:

△ PER PRODUCT SPECIFICATION: PS-73598-0093

PACKAGING :

△ TRAY

LTR	REVISION RECORD	ECN	DR	DATE	APPR'D BY :
C	Chg To 2 Length Dims	0562	<i>R. Field</i>	95/7/31	
B	Chg To: TRAY PKG	0538	<i>R. Field</i>	95/3/13	
A	RELEASE	0503	<i>R. Field</i>	95/2/10	
STANDARD ITEM					<input type="checkbox"/> YES <input checked="" type="checkbox"/> NO

MATERIAL :
 FINISH :
 SCALE : 6:1 UNIT : mm(INCH)
 DRAWN BY : *R. Field* 94/11/15
 CHK'D BY :
 APPR'D BY :

MOLEX
 TAIWAN LTD.
 (R.F. DIVISION)

GENERAL TOLERANCES
 ANGLE : ± 3° DIM. ± 0.25 (±.01)

DRW. NO.: SDA-73100-0158 REV C

TITLE : SPECIAL 75 OHM SMB
 STRAIGHT JACK BULKHEAD
 (2-LEG) PCB RECEPTACLE