



Chipsmall Limited consists of a professional team with an average of over 10 year of expertise in the distribution of electronic components. Based in Hongkong, we have already established firm and mutual-benefit business relationships with customers from,Europe,America and south Asia,supplying obsolete and hard-to-find components to meet their specific needs.

With the principle of “Quality Parts,Customers Priority,Honest Operation,and Considerate Service”,our business mainly focus on the distribution of electronic components. Line cards we deal with include Microchip,ALPS,ROHM,Xilinx,Pulse,ON,Everlight and Freescale. Main products comprise IC,Modules,Potentiometer,IC Socket,Relay,Connector.Our parts cover such applications as commercial,industrial, and automotives areas.

We are looking forward to setting up business relationship with you and hope to provide you with the best service and solution. Let us make a better world for our industry!



Contact us

Tel: +86-755-8981 8866 Fax: +86-755-8427 6832

Email & Skype: info@chipsmall.com Web: www.chipsmall.com

Address: A1208, Overseas Decoration Building, #122 Zhenhua RD., Futian, Shenzhen, China



MATERIALS AND FINISHES

BODY ZINC ALLOY
PLATED NICKEL 70 MICROINCHES MIN

CENTER CONTACT PHOSPHOR BRONZE
PLATED GOLD 8 MICROINCHES MIN

INSULATOR POLYPROPYLENE

HOUSING VALOX 420-SEO BLACK

SOLDER TAIL COPPER OVER STEEL WIRE
PLATED TIN 200 MICROINCHES MIN

BOARD LOCK CLIP PHOSPHOR BRONZE
PLATED TIN 150 MICROINCHES MIN

FRONT CLIP PHOSPHOR BRONZE
PLATED NICKEL 70 MICROINCHES MIN

CHIP CAPACITOR MULTILAYER CERAMIC

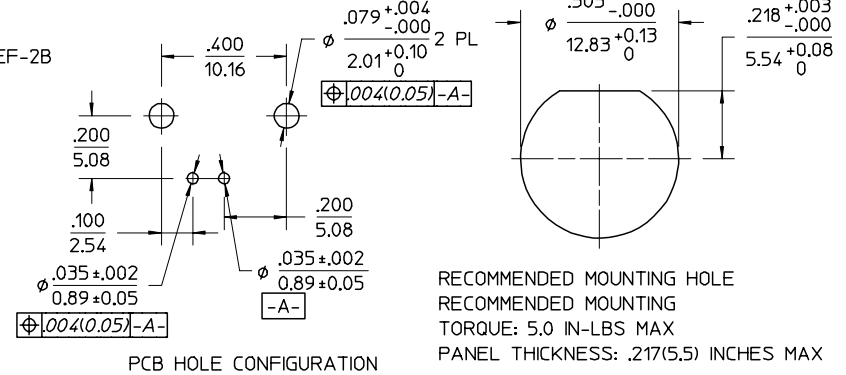
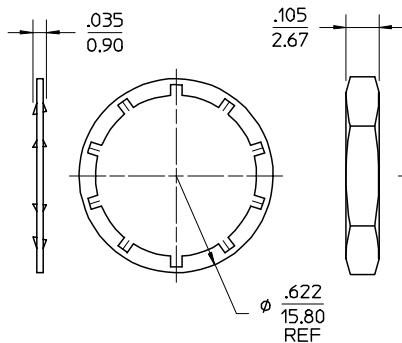
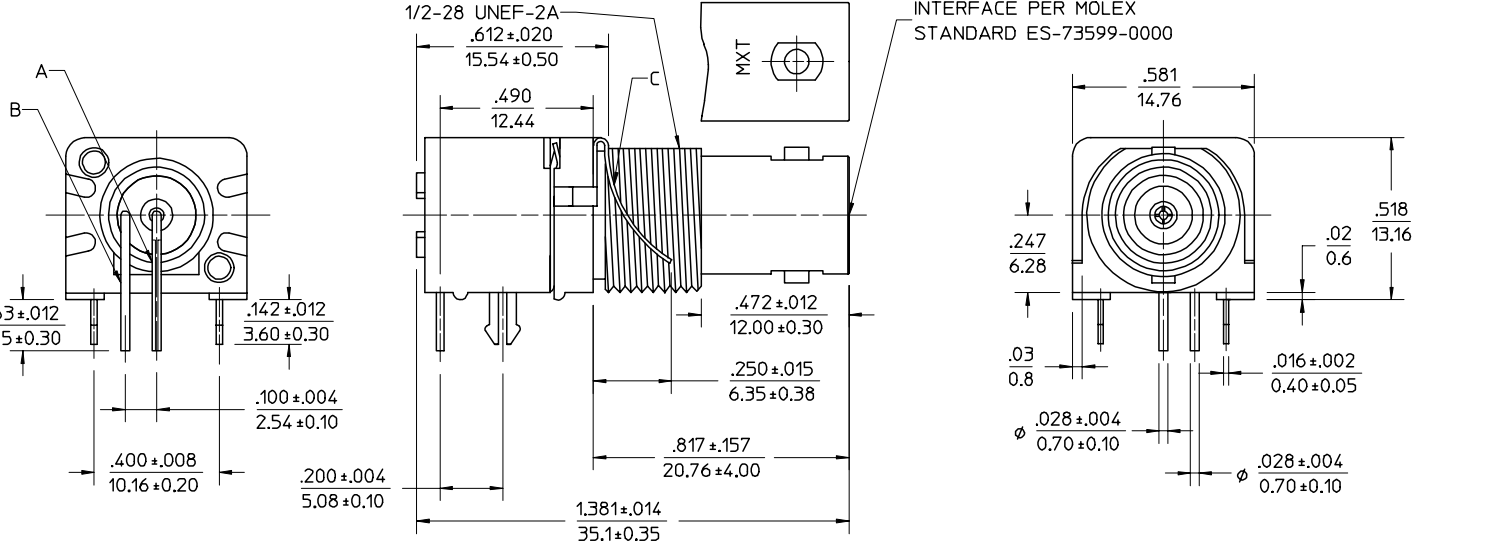
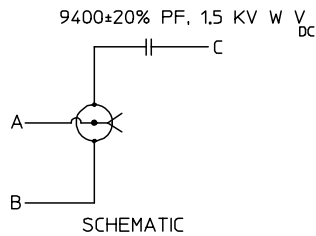
NUT BRASS
PLATED NICKEL 70 MICROINCHES MIN

WASHER PHOSPHOR BRONZE
PLATED NICKEL 70 MICROINCHES MIN

MECHANICAL & ELECTRICAL CHARACTERISTICS:
PER PS-73598-0010

PACKAGING:
TRAY PACKAGING

PART # 73100-0162



CHG: DIM 0.7±0.1WAS ±0.05	DRAWN: CLLI 2004/10/04	CHKD: 2004/10/04	APPR: MIUANG 2004/10/06	DESCRIPTION	QUALITY SYMBOLS	GENERAL TOLERANCES (UNLESS SPECIFIED)	DIMENSION STYLE	SCALE	DESIGN UNITS	THIRD ANGLE PROJECTION													
					<p>▽=0</p> <p>∇=0</p>	<table border="1"> <thead> <tr> <th></th> <th>mm</th> <th>INCH</th> </tr> </thead> <tbody> <tr> <td>4 PLACES</td> <td>± ---</td> <td>± ---</td> </tr> <tr> <td>3 PLACES</td> <td>± ---</td> <td>± ---</td> </tr> <tr> <td>2 PLACES</td> <td>± 0.25</td> <td>± ---</td> </tr> <tr> <td>1 PLACE</td> <td>± 0.25</td> <td>± ---</td> </tr> <tr> <td colspan="3">ANGULAR ± 3 °</td> </tr> </tbody> </table>		mm	INCH	4 PLACES	± ---	± ---	3 PLACES	± ---	± ---	2 PLACES	± 0.25	± ---	1 PLACE	± 0.25	± ---	ANGULAR ± 3 °	
	mm	INCH																					
4 PLACES	± ---	± ---																					
3 PLACES	± ---	± ---																					
2 PLACES	± 0.25	± ---																					
1 PLACE	± 0.25	± ---																					
ANGULAR ± 3 °																							
DRAWN BY: ROGER DATE: 1994/10/13 CHECKED BY: WANG DATE: 1994/10/18 APPROVED BY: MIESN DATE: 1994/10/23 MATERIAL NO.: 73100-0162					TITLE: 50 OHM FILTER BNC R/A PCB RECEPTACLE BNC-PCB/RA/BK		MOLEX INCORPORATED		SHEET NO.: 1 OF 1														
DRAFT WHERE APPLICABLE MUST REMAIN WITHIN DIMENSIONS					DOCUMENT NO.: SD-73100-0162		THIS DRAWING CONTAINS INFORMATION THAT IS PROPRIETARY TO MOLEX INCORPORATED AND SHOULD NOT BE USED WITHOUT WRITTEN PERMISSION																