



Chipsmall Limited consists of a professional team with an average of over 10 year of expertise in the distribution of electronic components. Based in Hongkong, we have already established firm and mutual-benefit business relationships with customers from,Europe,America and south Asia,supplying obsolete and hard-to-find components to meet their specific needs.

With the principle of “Quality Parts,Customers Priority,Honest Operation,and Considerate Service”,our business mainly focus on the distribution of electronic components. Line cards we deal with include Microchip,ALPS,ROHM,Xilinx,Pulse,ON,Everlight and Freescale. Main products comprise IC,Modules,Potentiometer,IC Socket,Relay,Connector.Our parts cover such applications as commercial,industrial, and automotives areas.

We are looking forward to setting up business relationship with you and hope to provide you with the best service and solution. Let us make a better world for our industry!



Contact us

Tel: +86-755-8981 8866 Fax: +86-755-8427 6832

Email & Skype: info@chipsmall.com Web: www.chipsmall.com

Address: A1208, Overseas Decoration Building, #122 Zhenhua RD., Futian, Shenzhen, China



MATERIALS AND FINISHES

BODY: ZINC ALLOY
PLATED NICKEL

CENTER CONTACT: PHOSPHOR BRONZE
PLATED GOLD

INSULATOR: PBT

HOUSING: LCP
COLOR NATURAL

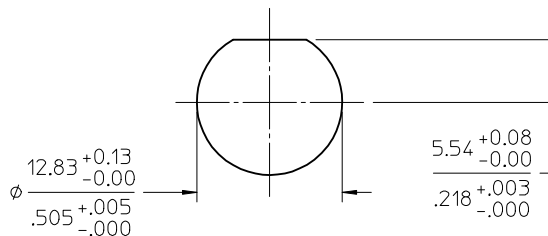
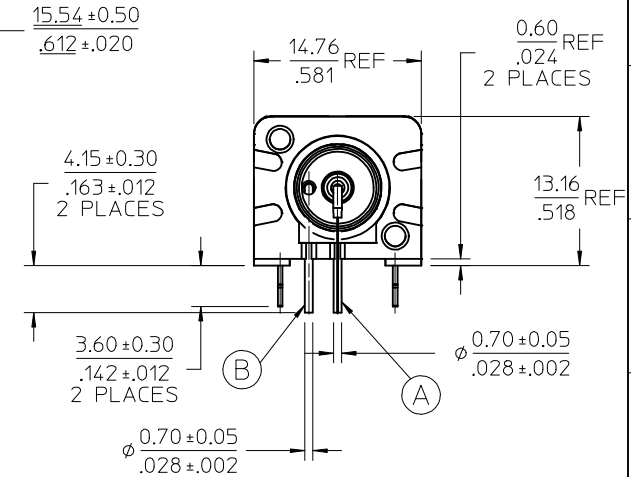
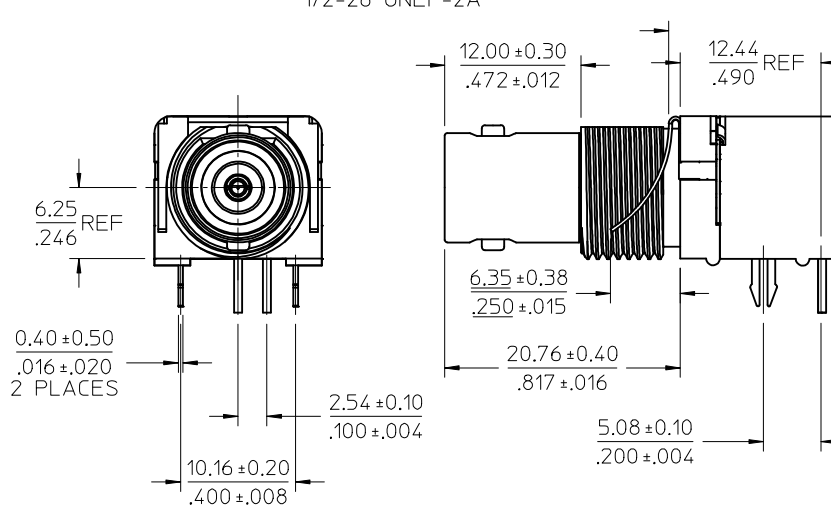
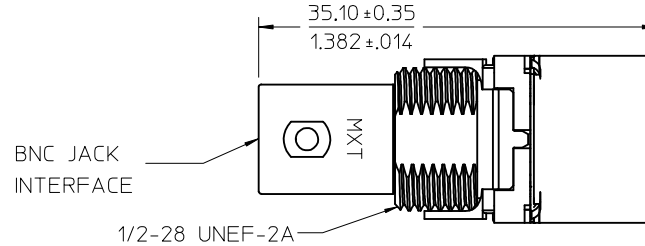
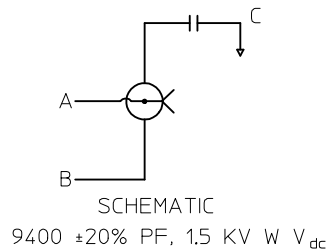
SOLDER TAIL: COPPER OVER STEEL WIRE
PLATED TIN

FRONT/REAR CLIP: PHOSPHOR BRONZE
PLATED NICKEL

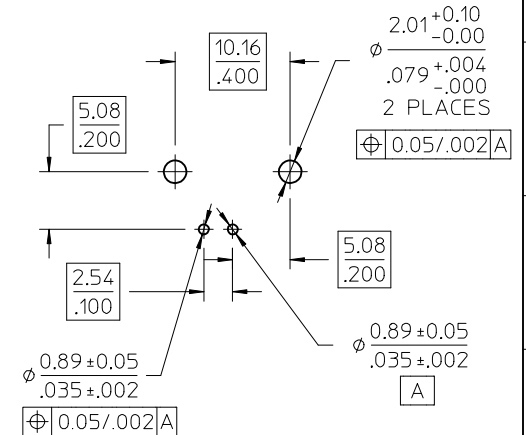
CHIP CAPACITOR: MULTILAYER CERAMIC

BOARD LOCK CLIP: PHOSPHOR BRONZE
PLATED TIN

PACKAGING: BY TRAY



RECOMMENDED MOUNTING HOLE
RECOMMENDED MOUNTING TORQUE:
0.56 N-m(5.00 IN-LBS)
PANEL THICKNESS: 5.5 (.217) MAX



RECOMMENDED PCB LAYOUT

PART # 73100-0166

PS-89675-1030

ELECTRO/MECH PERFORM.

SPECIFICATION

DESCRIPTION

CHG: ADD PACKAGING
PER RF15-E224

EC NO: URF2015-0673
DRW: CME102 2015/05/28

CHKD: CME102

APPR: YCHENG 2015/06/04

REV: B4

QUALITY SYMBOLS

▽=0

▽=0

GENERAL TOLERANCES (UNLESS SPECIFIED)

	mm	INCH
4 PLACES	± .005	± .0004
3 PLACES	± .003	± .0003
2 PLACES	± .002	± .0002
1 PLACE	± .001	± .0001

ANGULAR ± 2 °

DRAFT WHERE APPLICABLE
MUST REMAIN
WITHIN DIMENSIONS

DIMENSION STYLE
MM/IN

DRAWN BY
JWIENER

CHECKED BY
SSS

APPROVED BY
JWIENER

MATERIAL NO.

DATE
2013/05/08

DATE
2013/05/08

DATE
2013/05/09

DATE
2013/05/09

SEE TABLE

SCALE
DESIGN UNITS
METRIC

THIRD ANGLE PROJECTION

TITLE
BNC JACK R/A PCB TH
FILTER 50 OHM HIGH TEMP
BNC-J/RA/PCB EWR-1088

MOLEX INCORPORATED

DOCUMENT NO.
SD-73100-0166

SHEET NO.
1 OF 1

THIS DRAWING CONTAINS INFORMATION THAT IS PROPRIETARY TO MOLEX INCORPORATED AND SHOULD NOT BE USED WITHOUT WRITTEN PERMISSION