



Chipsmall Limited consists of a professional team with an average of over 10 year of expertise in the distribution of electronic components. Based in Hongkong, we have already established firm and mutual-benefit business relationships with customers from,Europe,America and south Asia,supplying obsolete and hard-to-find components to meet their specific needs.

With the principle of “Quality Parts,Customers Priority,Honest Operation,and Considerate Service”,our business mainly focus on the distribution of electronic components. Line cards we deal with include Microchip,ALPS,ROHM,Xilinx,Pulse,ON,Everlight and Freescale. Main products comprise IC,Modules,Potentiometer,IC Socket,Relay,Connector.Our parts cover such applications as commercial,industrial, and automotives areas.

We are looking forward to setting up business relationship with you and hope to provide you with the best service and solution. Let us make a better world for our industry!



## Contact us

Tel: +86-755-8981 8866 Fax: +86-755-8427 6832

Email & Skype: info@chipsmall.com Web: www.chipsmall.com

Address: A1208, Overseas Decoration Building, #122 Zhenhua RD., Futian, Shenzhen, China



MATERIALS AND FINISHES

BODY ZINC ALLOY  
PLATED NICKEL

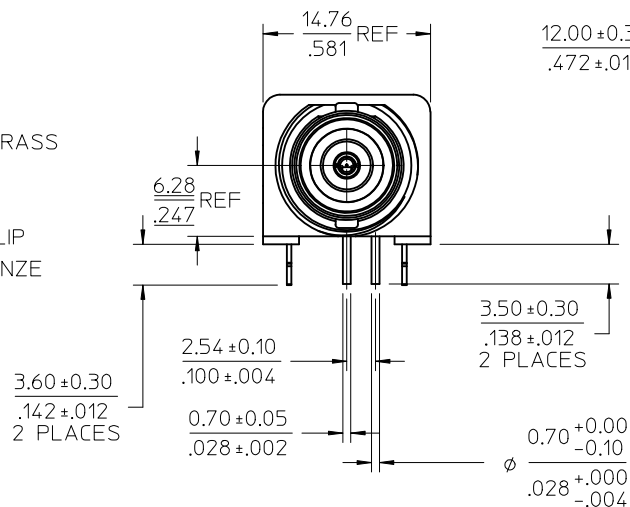
CENTER CONTACT PHOSPHOR BRONZE  
PLATED GOLD

INSULATOR POLYPROPYLENE

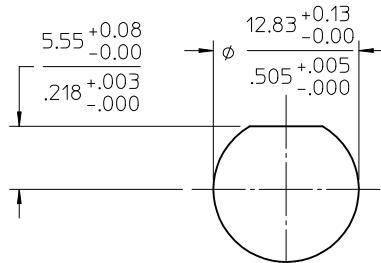
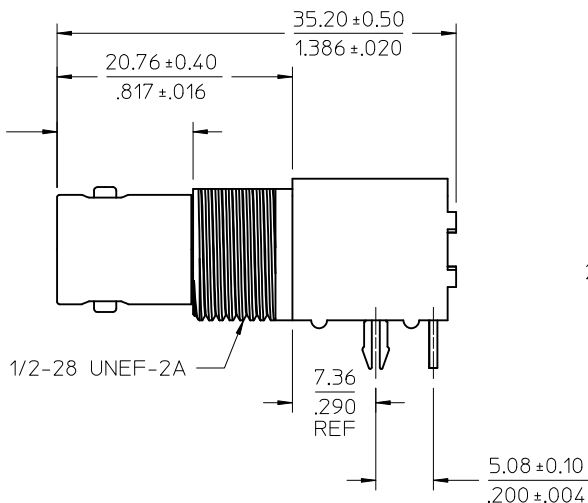
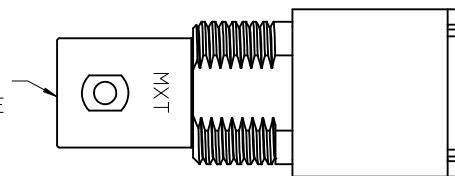
HOUSING P.B.T.  
COLOR BLACK

SOLDER TAIL BRASS  
PLATED TIN

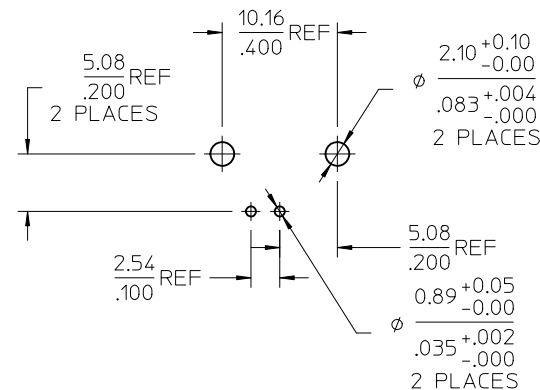
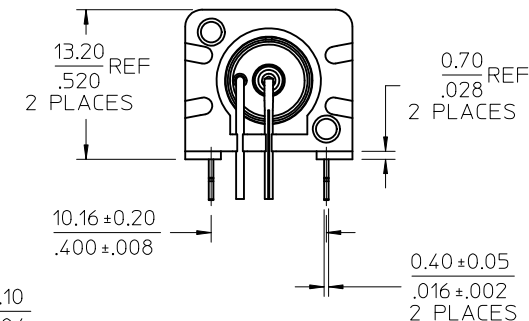
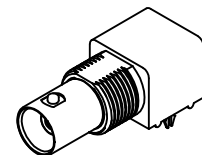
BOARD LOCK CLIP  
PHOSPHOR BRONZE  
PLATED TIN



BNC JACK  
INTERFACE



RECOMMENDED MOUNTING HOLE  
RECOMMENDED MOUNTING  
TORQUE: 0.56 N-m (5.0 IN-LBS)  
PANEL THICKNESS: 5.5 (.217) MAX



RECOMMENDED PCB LAYOUT

73171-3060	73100-0167, ONE PER BAG
73100-0167	TRAY PACK
PART NO.	PACKAGING

PS-89675-1030	ELECTRO/MECH PERFORM
SPECIFICATION	DESCRIPTION

CHG: PS WAS 73598-0050	EC NO: URF2011-0750	2011/06/24	DRWN: WIENER	2011/06/24	CHKD: SSS	2011/06/29	APPR: WIENER	DESCRIPTION
B3	REV	DESCRIPTION	QUALITY SYMBOLS	▽=0	▽=0			

GENERAL TOLERANCES (UNLESS SPECIFIED)	mm	INCH
4 PLACES	± .005	± .0004
3 PLACES	± .008	± .0005
2 PLACES	± .012	± .0007
1 PLACE	± .015	± .0009
ANGULAR	± .005°	
DRAFT WHERE APPLICABLE MUST REMAIN WITHIN DIMENSIONS		

DIMENSION STYLE	MM/IN
DRAWN BY	DATE
IRIS	1995/02/14
CHECKED BY	DATE
APPROVED BY	DATE
MATERIAL NO.	SEE TABLE
DOCUMENT NO.	SD-73100-0167

SCALE	DESIGN UNITS	THIRD ANGLE PROJECTION
	METRIC	
BNC JACK R/A PCB TH COMMERCIAL 50 OHM BNC-J/RA/PCB		
MOLEX INCORPORATED		
SHEET NO.	1 OF 1	
THIS DRAWING CONTAINS INFORMATION THAT IS PROPRIETARY TO MOLEX INCORPORATED AND SHOULD NOT BE USED WITHOUT WRITTEN PERMISSION		