



Chipsmall Limited consists of a professional team with an average of over 10 year of expertise in the distribution of electronic components. Based in Hongkong, we have already established firm and mutual-benefit business relationships with customers from,Europe,America and south Asia,supplying obsolete and hard-to-find components to meet their specific needs.

With the principle of “Quality Parts,Customers Priority,Honest Operation,and Considerate Service”,our business mainly focus on the distribution of electronic components. Line cards we deal with include Microchip,ALPS,ROHM,Xilinx,Pulse,ON,Everlight and Freescale. Main products comprise IC,Modules,Potentiometer,IC Socket,Relay,Connector.Our parts cover such applications as commercial,industrial, and automotives areas.

We are looking forward to setting up business relationship with you and hope to provide you with the best service and solution. Let us make a better world for our industry!



Contact us

Tel: +86-755-8981 8866 Fax: +86-755-8427 6832

Email & Skype: info@chipsmall.com Web: www.chipsmall.com

Address: A1208, Overseas Decoration Building, #122 Zhenhua RD., Futian, Shenzhen, China



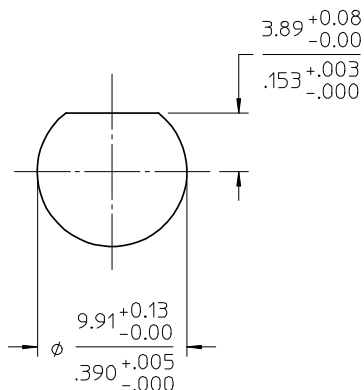
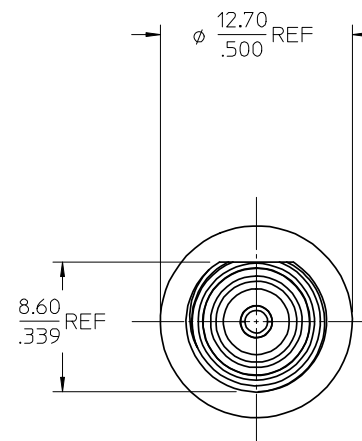
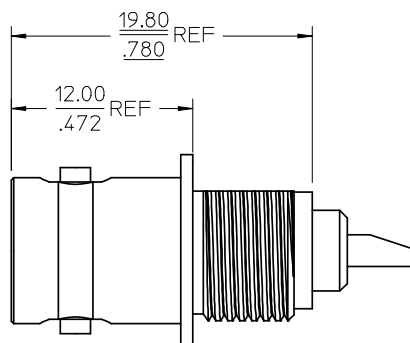
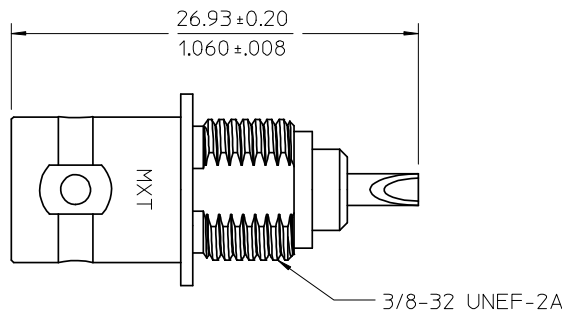
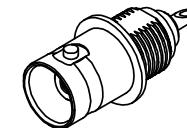
MATERIALS AND FINISHES

BODY, NUT BRASS
PLATED NICKEL

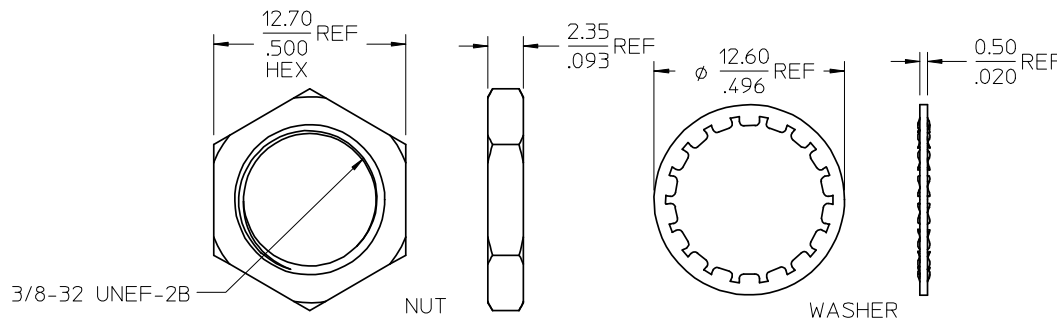
CENTER CONTACT PHOSPHOR BRONZE
PLATED GOLD

INSULATOR TEFLON

LOCKWASHER PHOSPHOR BRONZE
PLATED NICKEL



RECOMMENDED MOUNTING HOLE
MAXIMUM PANEL THICKNESS: 2.65(.104)



PS-73598-0019	ELETR/MECH PERFORM.
SPECIFICATION	DESCRIPTION

73171-3080	73100-0195, ONE PER BAG
73100-0195	BULK
PART NO.	PACKAGING

CHG: REDREW IN SD	QUALITY SYMBOLS
ADDED P/N	▽=0
73171-3080	▽=0
DIM 26.93±0.20	
WAS 27.55±0.20	
EC NO: URF-2007-0396	
DRW:FLAHERTY 2007/05/01	
CHKD:SSHAH 2007/05/01	
APPR:JWENER 2007/05/01	
REV: G1	

GENERAL TOLERANCES (UNLESS SPECIFIED)	DIMENSION STYLE	SCALE	DESIGN UNITS	THIRD ANGLE PROJECTION
mm INCH	MM/IN		METRIC	
4 PLACES ± --- ± ---	DRAWN BY DATE	TITLE		
3 PLACES ± --- ± ---	NORMAN 1995/01/05	BNC JACK, BULKHEAD WITH SOLDER POT, 50 OHMS BNC-JR/BK		
2 PLACES ± --- ± ---	CHECKED BY DATE	MOLEX INCORPORATED		
1 PLACE ± --- ± ---	SAM	MATERIAL NO. DOCUMENT NO.		
ANGULAR ± 2 °	APPROVED BY DATE	SD-73100-0195		
	WALLY	SHEET NO. 1 OF 1		
DRAFT WHERE APPLICABLE MUST REMAIN WITHIN DIMENSIONS	SIZE C	THIS DRAWING CONTAINS INFORMATION THAT IS PROPRIETARY TO MOLEX INCORPORATED AND SHOULD NOT BE USED WITHOUT WRITTEN PERMISSION		