



Chipsmall Limited consists of a professional team with an average of over 10 year of expertise in the distribution of electronic components. Based in Hongkong, we have already established firm and mutual-benefit business relationships with customers from,Europe,America and south Asia,supplying obsolete and hard-to-find components to meet their specific needs.

With the principle of “Quality Parts,Customers Priority,Honest Operation,and Considerate Service”,our business mainly focus on the distribution of electronic components. Line cards we deal with include Microchip,ALPS,ROHM,Xilinx,Pulse,ON,Everlight and Freescale. Main products comprise IC,Modules,Potentiometer,IC Socket,Relay,Connector.Our parts cover such applications as commercial,industrial, and automotives areas.

We are looking forward to setting up business relationship with you and hope to provide you with the best service and solution. Let us make a better world for our industry!



Contact us

Tel: +86-755-8981 8866 Fax: +86-755-8427 6832

Email & Skype: info@chipsmall.com Web: www.chipsmall.com

Address: A1208, Overseas Decoration Building, #122 Zhenhua RD., Futian, Shenzhen, China



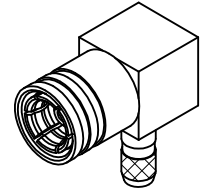
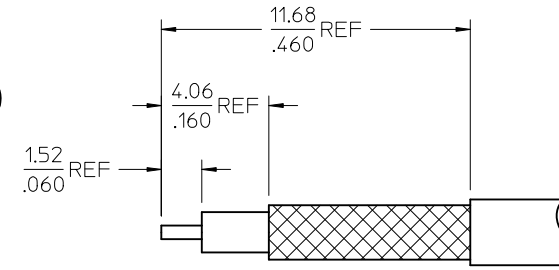
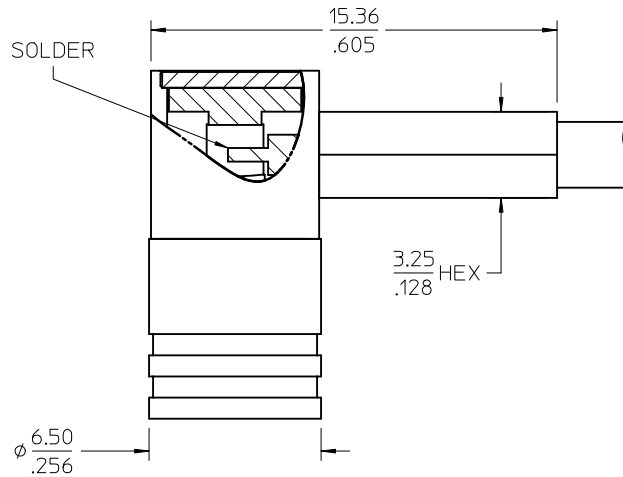
MATERIALS AND FINISHES

BODY, FERRULE, CAP: BRASS
PLATED GOLD

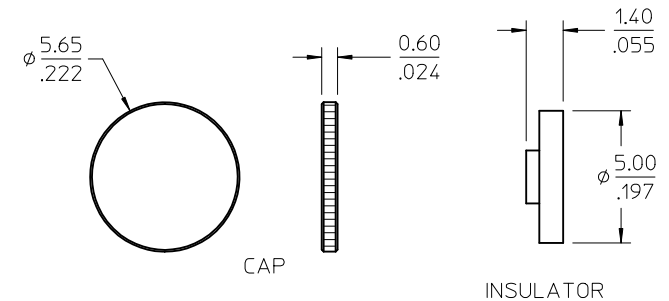
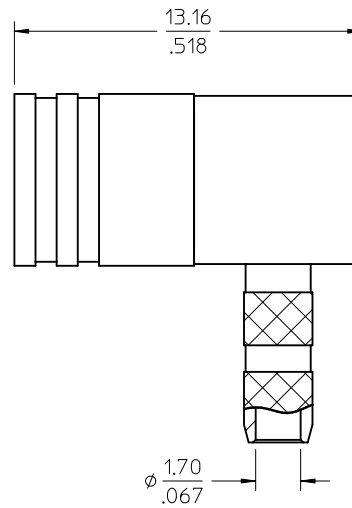
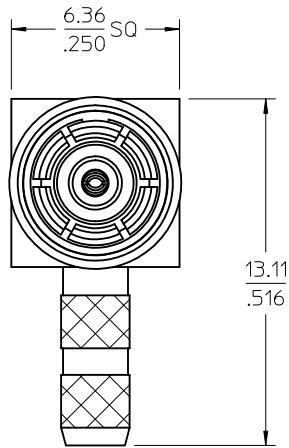
CENTER CONTACT: BERYLLIUM COPPER
PLATED GOLD

INSULATOR: TEFLON

RETAINING RING: BERYLLIUM COPPER

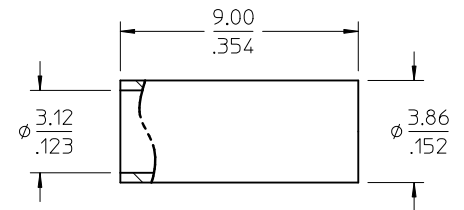


RECOMMENDED STRIP DIMENSIONS



CAP

INSULATOR



FERRULE

73396-0610	SMALL TRAY PACKING
73404-2320	73100-0257, ONE PER BAG
73100-0257	BULK
PART NO.	PACKAGING

PS-89675-3540	ELECTRO/MECH. PERFORM.
SPECIFICATION	DESCRIPTION

CHG: UPDATE VIEWS PS WAS 73598-0099 DELETE AS-73597-0063	EC NO: URF2011-0323	DRWN: JWIENER 2010/12/06	CHKD: JSS 2010/12/06	APPR: JWIENER 2010/12/07
REV	DESCRIPTION	QUALITY SYMBOLS		
B4				

GENERAL TOLERANCES (UNLESS SPECIFIED)	
	MM/IN
4 PLACES	± .005 / ± .0004
3 PLACES	± .003 / ± .0003
2 PLACES	± .002 / ± .0002
1 PLACE	± .001 / ± .0001
ANGULAR ± .005°	
DRAFT WHERE APPLICABLE MUST REMAIN WITHIN DIMENSIONS	

DRAWN BY	DATE	TITLE
JWIENER	1995/08/29	SMB PLUG R/A 50 OHM RG-316 CABLE SMB-PC/RA
CHECKED BY	DATE	
APPROVED BY	DATE	
JWIENER	2010/12/07	
MATERIAL NO.	DOCUMENT NO.	
SEE TABLE	SD-73100-0257	
SIZE	THIS DRAWING CONTAINS INFORMATION THAT IS PROPRIETARY TO MOLEX INCORPORATED AND SHOULD NOT BE USED WITHOUT WRITTEN PERMISSION	
C		