



Chipsmall Limited consists of a professional team with an average of over 10 year of expertise in the distribution of electronic components. Based in Hongkong, we have already established firm and mutual-benefit business relationships with customers from,Europe,America and south Asia,supplying obsolete and hard-to-find components to meet their specific needs.

With the principle of “Quality Parts,Customers Priority,Honest Operation,and Considerate Service”,our business mainly focus on the distribution of electronic components. Line cards we deal with include Microchip,ALPS,ROHM,Xilinx,Pulse,ON,Everlight and Freescale. Main products comprise IC,Modules,Potentiometer,IC Socket,Relay,Connector.Our parts cover such applications as commercial,industrial, and automotives areas.

We are looking forward to setting up business relationship with you and hope to provide you with the best service and solution. Let us make a better world for our industry!



Contact us

Tel: +86-755-8981 8866 Fax: +86-755-8427 6832

Email & Skype: info@chipsmall.com Web: www.chipsmall.com

Address: A1208, Overseas Decoration Building, #122 Zhenhua RD., Futian, Shenzhen, China

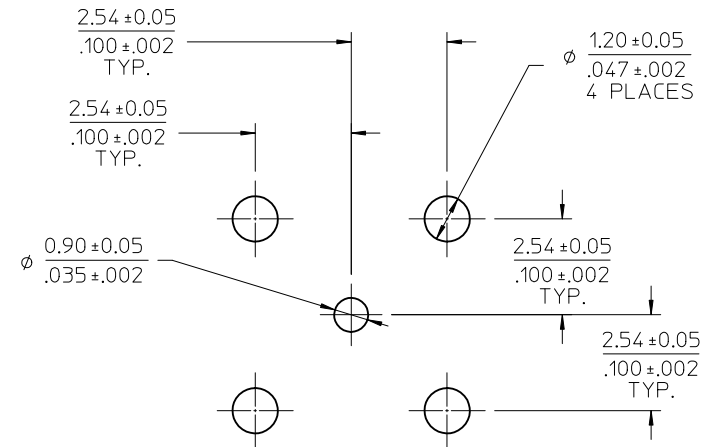
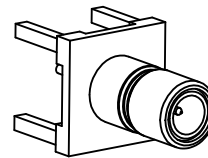
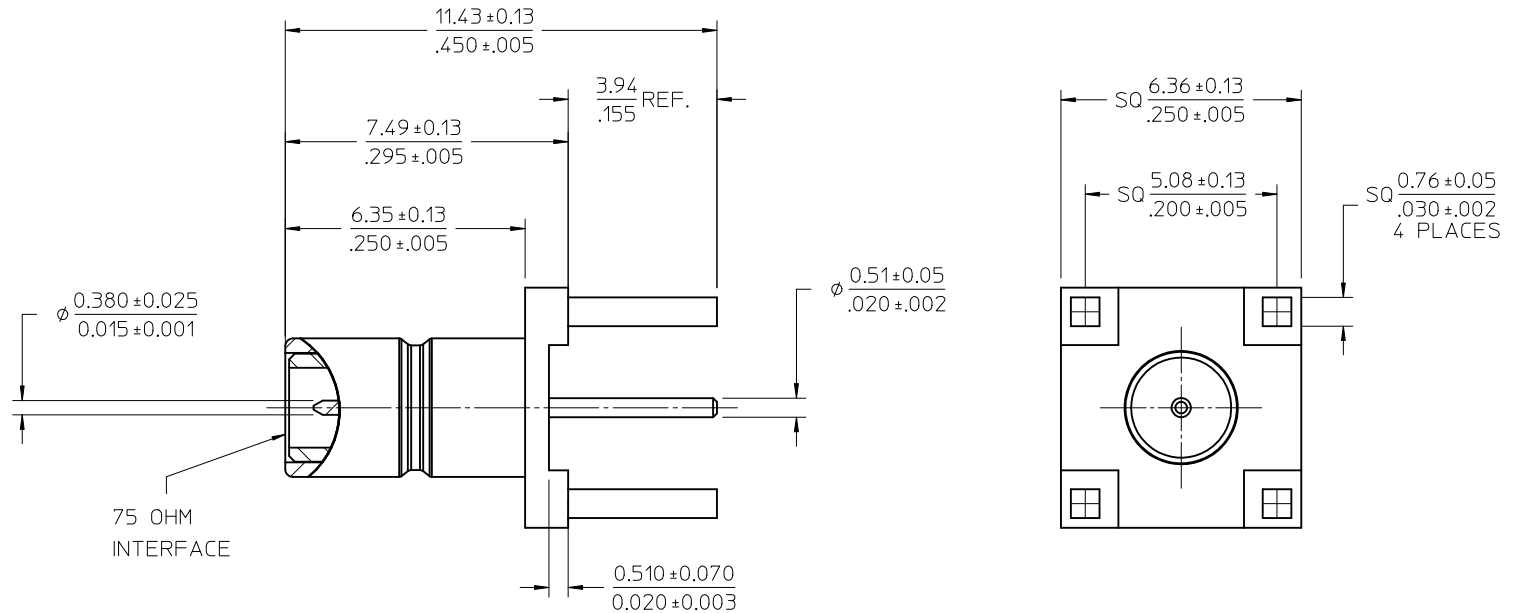


MATERIAL AND FINISHES

BODY, CENTER CONTACT: BRASS
PLATED GOLD

INSULATOR: TEFLON

PACKAGING (SEE TABLE)



RECOMMENDED PCB MOUNTING HOLD

PS-89675-3540	PRODUCT SPECIFICATION
SPECIFICATION	DESCRIPTION

73404-3010	1 PIECE 73100-0258 IN SINGLE BAG WITH LABEL
73100-0258	STANDARD
PART NO.	PACKAGING

CHG: ADDED P/N
73404-3010 FOR
SINGLE BAG
OPTION.

EC NO: URF2011-0573
DRAWN: ROBERTSON 2011/03/31
CHKD: SSS 2011/03/31
APPR: JWIENER 2011/04/04
A2

QUALITY SYMBOLS
▽=0
▽=0

GENERAL TOLERANCES (UNLESS SPECIFIED)

	mm	INCH
4 PLACES	± .005	± .0002
3 PLACES	± .005	± .0002
2 PLACES	± .005	± .0002
1 PLACE	± .005	± .0002

ANGULAR ± 2°

DRAFT WHERE APPLICABLE
MUST REMAIN
WITHIN DIMENSIONS

DIMENSION STYLE
MM/IN

DRAWN BY	DATE
SAM	1995/10/23
CHECKED BY	DATE
KERRIE	1995/10/23
APPROVED BY	DATE
MISEN	1995/10/23

MATERIAL NO.
SEE TABLE

SIZE
C

SCALE
DESIGN UNITS
METRIC

THIRD ANGLE PROJECTION

TITLE
SPECIAL 75 OHM SMB JACK
VERTICAL PCB TH
SMB-J/PCB

MOLEX MOLEX INCORPORATED

DOCUMENT NO.
SD-73100-0258

SHEET NO.
1 OF 1

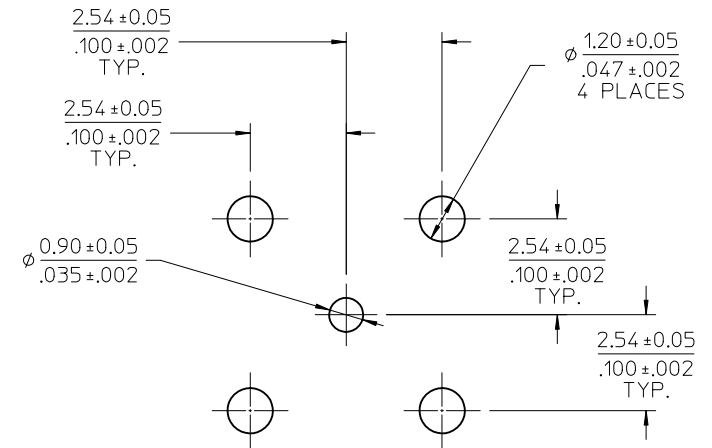
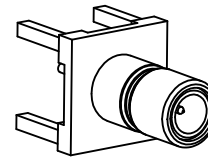
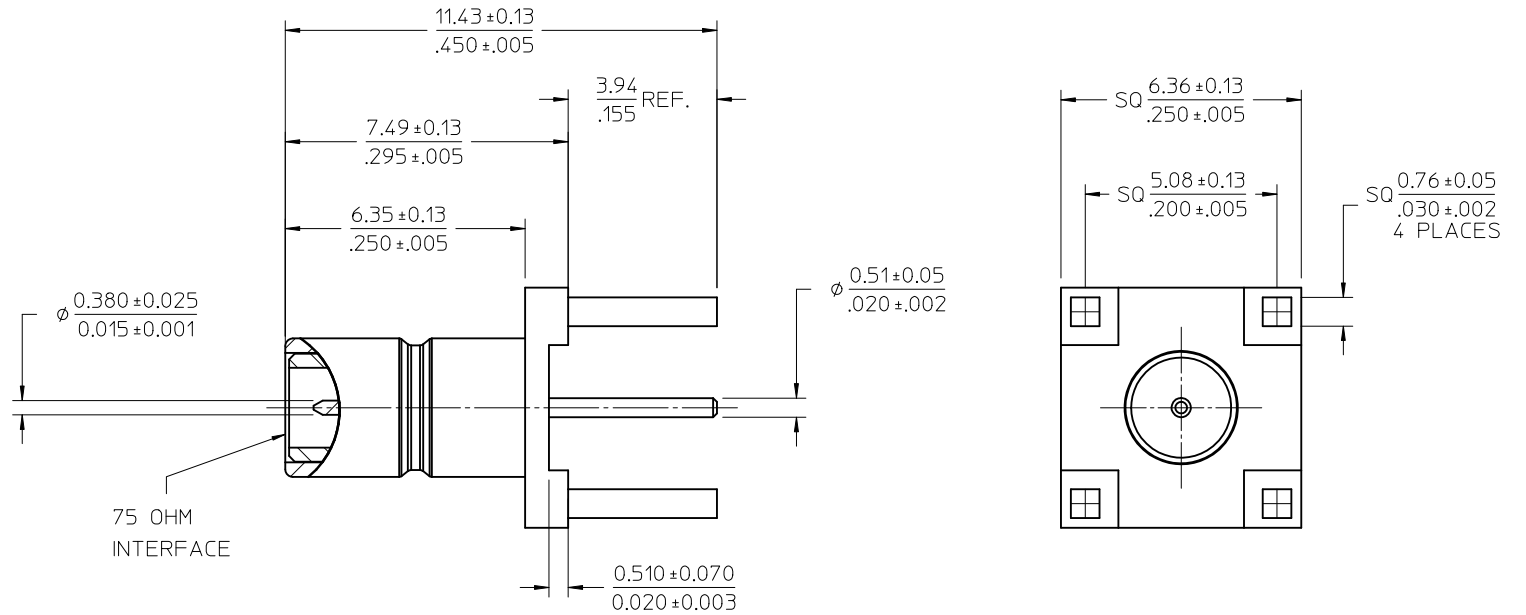
THIS DRAWING CONTAINS INFORMATION THAT IS PROPRIETARY TO MOLEX INCORPORATED AND SHOULD NOT BE USED WITHOUT WRITTEN PERMISSION

MATERIAL AND FINISHES

BODY, CENTER CONTACT: BRASS
PLATED GOLD

INSULATOR: TEFLON

PACKAGING (SEE TABLE)



RECOMMENDED PCB MOUNTING HOLD

PS-89675-3540	PRODUCT SPECIFICATION
SPECIFICATION	DESCRIPTION

73404-3010	1 PIECE 73100-0258 IN SINGLE BAG WITH LABEL
73100-0258	STANDARD
PART NO.	PACKAGING

CHG: RELEASE
DRAWING.

EC NO: URF2011-0573
DRAWN: AROBERTSON 2011/03/31
CHKD: SSS 2011/03/31
APPR: JW IENER 2011/04/04

REV	DESCRIPTION
A	

QUALITY SYMBOLS	
▽=0	
▽=0	
GENERAL TOLERANCES (UNLESS SPECIFIED)	
4 PLACES	± .005
3 PLACES	± .005
2 PLACES	± .005
1 PLACE	± .005
ANGULAR ± 2°	
DRAFT WHERE APPLICABLE MUST REMAIN WITHIN DIMENSIONS	

DIMENSION STYLE	
MM/IN	
DRAWN BY	DATE
AROBERTSON	2011/03/31
CHECKED BY	DATE
SSS	2011/03/31
APPROVED BY	DATE
JW IENER	2011/04/04
MATERIAL NO.	
SEE TABLE	
SIZE	
THIS DRAWING CONTAINS INFORMATION THAT IS PROPRIETARY TO MOLEX INCORPORATED AND SHOULD NOT BE USED WITHOUT WRITTEN PERMISSION	

SCALE	DESIGN UNITS	THIRD ANGLE PROJECTION
	METRIC	
TITLE		
SPECIAL 75 OHM SMB JACK VERTICAL PCB TH SMB-J/PCB, EWR-4676		
MOLEX MOLEX INCORPORATED		
DOCUMENT NO.	SHEET NO.	
SD-73404-301	1 OF 1	