



Chipsmall Limited consists of a professional team with an average of over 10 year of expertise in the distribution of electronic components. Based in Hongkong, we have already established firm and mutual-benefit business relationships with customers from,Europe,America and south Asia,supplying obsolete and hard-to-find components to meet their specific needs.

With the principle of “Quality Parts,Customers Priority,Honest Operation,and Considerate Service”,our business mainly focus on the distribution of electronic components. Line cards we deal with include Microchip,ALPS,ROHM,Xilinx,Pulse,ON,Everlight and Freescale. Main products comprise IC,Modules,Potentiometer,IC Socket,Relay,Connector.Our parts cover such applications as commercial,industrial, and automotives areas.

We are looking forward to setting up business relationship with you and hope to provide you with the best service and solution. Let us make a better world for our industry!



Contact us

Tel: +86-755-8981 8866 Fax: +86-755-8427 6832

Email & Skype: info@chipsmall.com Web: www.chipsmall.com

Address: A1208, Overseas Decoration Building, #122 Zhenhua RD., Futian, Shenzhen, China



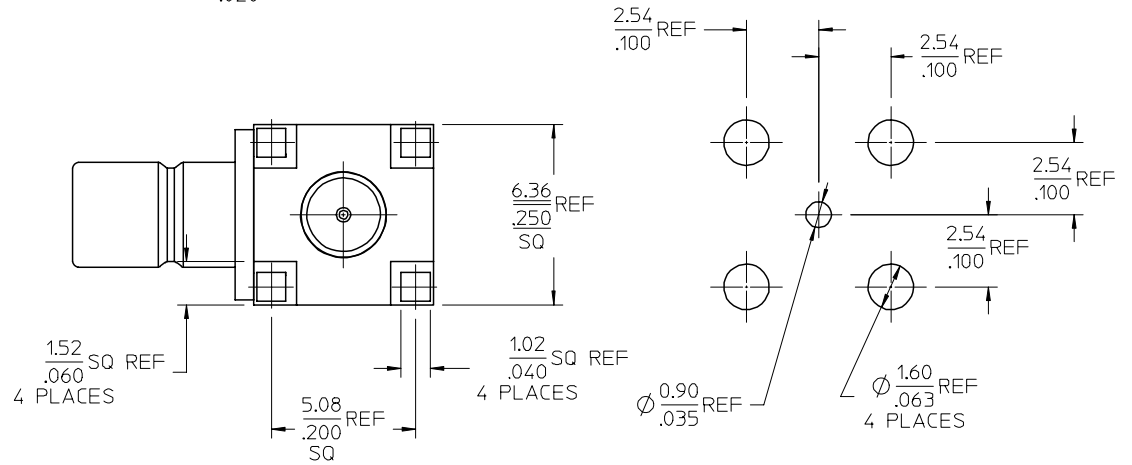
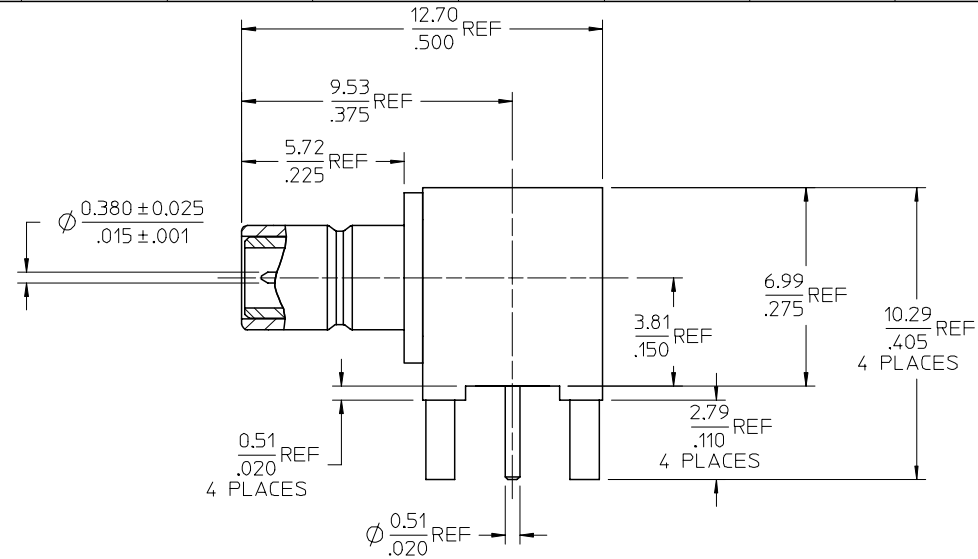
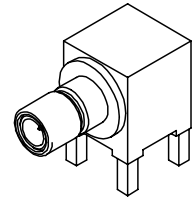
13 12 11 10 9 8 7 6 5 4 3 2 1

MATERIALS AND FINISHES

BODY BRASS
PLATED GOLD

CENTER CONTACT BRASS
PLATED GOLD

INSULATOR TEFLON



PS-73598-0104	ELECTRO/MECH. PERFORM.
SPECIFICATION	DESCRIPTION

73404-2330	73100-0259, ONE PER BAG
73100-0259	TRAY
PART NO.	PACKAGING

CHG: REDREW IN SD ADDED P/N 73404-2330	EC NO: URF2007-0396	2007/05/01
DRWN: FLAHERTY	CHKD: SHAH	2007/05/01
APPR: JIMENER	DESCRIPTION	
B1		

GENERAL TOLERANCES (UNLESS SPECIFIED)	
4 PLACES ± ---	± ---
3 PLACES ± ---	± ---
2 PLACES ± ---	± ---
1 PLACE ± ---	± ---
ANGULAR ± 2 °	

DIMENSION STYLE	
MM/IN	
DRAWN BY	DATE
SEAN	1995/10/11
CHECKED BY	DATE
APPROVED BY	DATE

SCALE	DESIGN UNITS	THIRD ANGLE PROJECTION
	METRIC	

SMB JACK, R/A, PCB
SPECIAL RECEPTACLE
SMB-J/RA/PCB

molex MOLEX INCORPORATED

DRAFT WHERE APPLICABLE MUST REMAIN WITHIN DIMENSIONS	SIZE C	MATERIAL NO. SEE TABLE	DOCUMENT NO. SD-73100-0259	SHEET NO. 1 OF 1
--	-----------	---------------------------	-------------------------------	---------------------

12 11 10 9 8 7 6 5 4 3 2 1