



Chipsmall Limited consists of a professional team with an average of over 10 year of expertise in the distribution of electronic components. Based in Hongkong, we have already established firm and mutual-benefit business relationships with customers from,Europe,America and south Asia,supplying obsolete and hard-to-find components to meet their specific needs.

With the principle of “Quality Parts,Customers Priority,Honest Operation,and Considerate Service”,our business mainly focus on the distribution of electronic components. Line cards we deal with include Microchip,ALPS,ROHM,Xilinx,Pulse,ON,Everlight and Freescale. Main products comprise IC,Modules,Potentiometer,IC Socket,Relay,Connector.Our parts cover such applications as commercial,industrial, and automotives areas.

We are looking forward to setting up business relationship with you and hope to provide you with the best service and solution. Let us make a better world for our industry!



## Contact us

Tel: +86-755-8981 8866 Fax: +86-755-8427 6832

Email & Skype: info@chipsmall.com Web: www.chipsmall.com

Address: A1208, Overseas Decoration Building, #122 Zhenhua RD., Futian, Shenzhen, China



MATERIALS AND FINISHES

BODY ZINC ALLOY  
PLATED NICKEL

CENTER CONTACT PHOSPHOR BRONZE  
PLATED GOLD

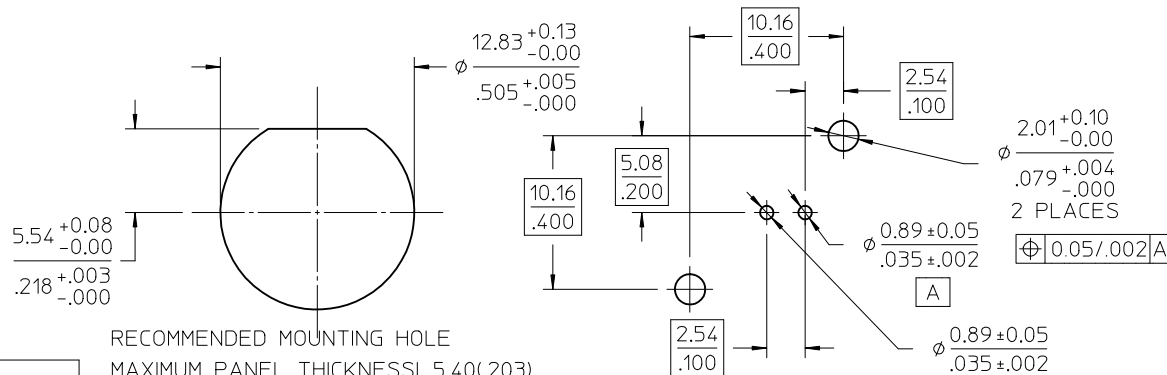
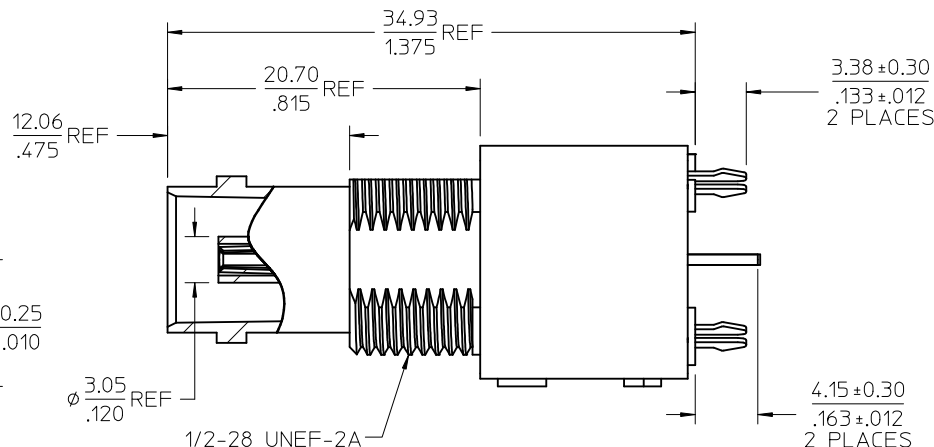
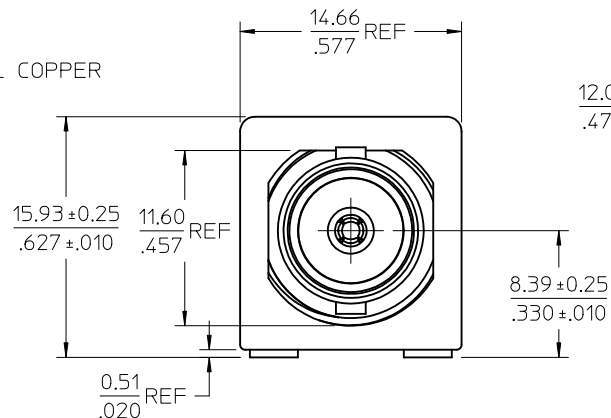
INSULATOR POLYPROYLENE (94V0)

BOARD LOCK PHOSPHOR BRONZE  
PLATED TIN

SOLDER TAIL COPPER  
PLATED TIN

BNC JACK  
75 OHMS  
INTERFACE

LEADS ARE TO BE  
ADJUSTED TO FIT  
PCB PATTERN



PART # 73101-0030

RECOMMENDED MOUNTING HOLE  
MAXIMUM PANEL THICKNESS: 5.40(.203)  
RECOMMENDED MOUNTING TORQUE:  
1.36 N-m(12 INCH-LBS)

RECOMMENDED PCB HOLE  
CONFIGURATION

PS-73598-0051	PRODUCT SPECIFICATION
SPECIFICATION	DESCRIPTION

CHG: CORRECT TYPO OF SOLDER TAIL PER RF11-E022 EC NO: 2010/09/23 DRW: DRWINRYEH CHKD: 2010/09/30 APPR: MHUANG REV: C2	QUALITY SYMBOLS ▽=0 ▽=0	GENERAL TOLERANCES (UNLESS SPECIFIED)		DIMENSION STYLE MM/IN		SCALE	DESIGN UNITS	THIRD ANGLE PROJECTION		
		4 PLACES ± --- ± --- 3 PLACES ± --- ± --- 2 PLACES ± --- ± --- 1 PLACE ± --- ± --- ANGULAR ± 2 °	mmm INCH ± --- ± --- ± --- ± --- ± --- ± --- ± --- ± ---	DRAWN BY WILSON	DATE 1996/03/01	TITLE	METRIC	BNC JACK, VERTICAL PCB, DIE CAST, 75 OHMS BNC-J/PCB		MOLEX INCORPORATED
DRAFT WHERE APPLICABLE MUST REMAIN WITHIN DIMENSIONS		APPROVED BY MHUANG		DATE 2010/09/30		MATERIAL NO. 731010030		DOCUMENT NO. SD-73101-003		SHEET NO. 1 OF 1
THIS DRAWING CONTAINS INFORMATION THAT IS PROPRIETARY TO MOLEX INCORPORATED AND SHOULD NOT BE USED WITHOUT WRITTEN PERMISSION										