



Chipsmall Limited consists of a professional team with an average of over 10 year of expertise in the distribution of electronic components. Based in Hongkong, we have already established firm and mutual-benefit business relationships with customers from,Europe,America and south Asia,supplying obsolete and hard-to-find components to meet their specific needs.

With the principle of “Quality Parts,Customers Priority,Honest Operation,and Considerate Service”,our business mainly focus on the distribution of electronic components. Line cards we deal with include Microchip,ALPS,ROHM,Xilinx,Pulse,ON,Everlight and Freescale. Main products comprise IC,Modules,Potentiometer,IC Socket,Relay,Connector.Our parts cover such applications as commercial,industrial, and automotives areas.

We are looking forward to setting up business relationship with you and hope to provide you with the best service and solution. Let us make a better world for our industry!



Contact us

Tel: +86-755-8981 8866 Fax: +86-755-8427 6832

Email & Skype: info@chipsmall.com Web: www.chipsmall.com

Address: A1208, Overseas Decoration Building, #122 Zhenhua RD., Futian, Shenzhen, China



MATERIALS AND FINISHES

BODY: ZINC ALLOY
PLATED NICKEL

SOLDER TAIL(GROUND): COPPER OVER STEEL
PLATED TIN

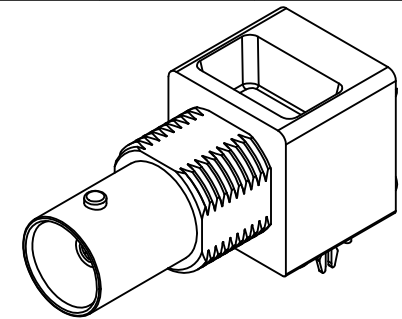
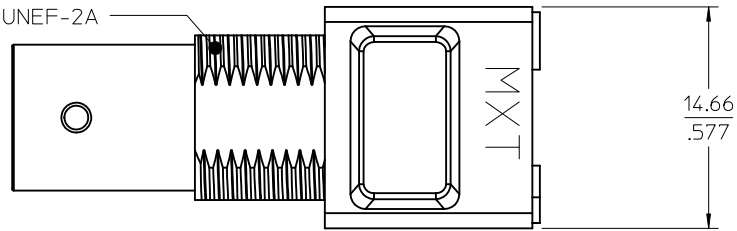
SOLDER TAIL(SIGNAL): COPPER OVER STEEL
PLATED GOLD

CENTER CONTACT: PHOSPHOR BRONZE
PLATED GOLD

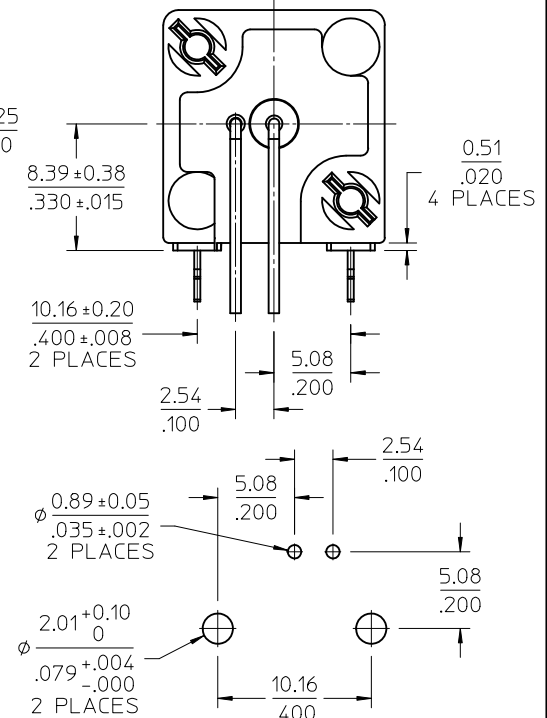
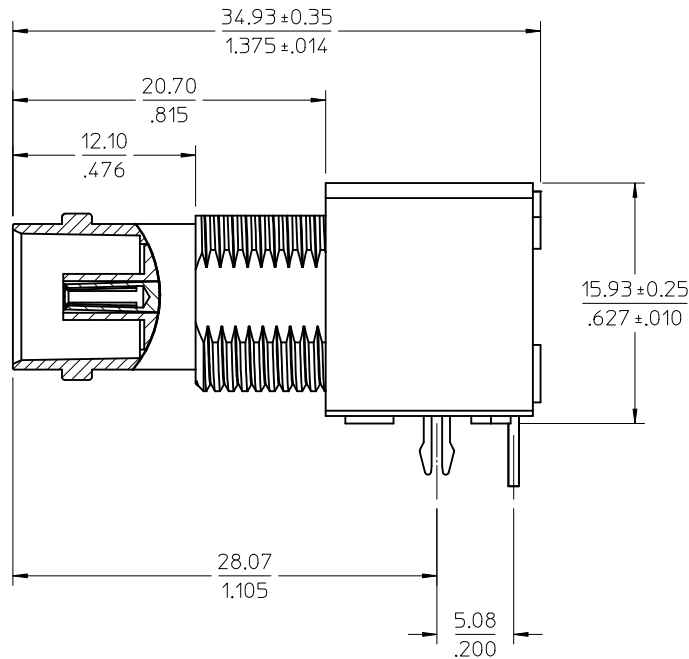
INSULATOR: POLYPROPYLENE (94V2)

BOARD LOCK: PHOSPHOR BRONZE
PLATED TIN

1/2-28 UNEF-2A



NOTE:
LEADS MAY NEED TO BE
ADJUSTED TO FIT PCB



5.54^{+0.08}₀
.218^{+0.003}_{-.000}

4.15±0.30
.163±.012
2 PLACES

5.32
.210

12.59
.496

3.38±0.30
.133±.012
2 PLACES

12.83^{+0.13}₀
∅ .505^{+0.005}_{-.000}

RECOMMENDED MOUNTING HOLE
PANEL THICKNESS: 5.40(.216) MAX
RECOMMENDED MOUNTING TORQUE:
1.36 N-m(12 INCH LBS) MAX

73171-4310	QTY (1) OF 73101-0040 IN SINGLE BAG WITH LABEL
73101-0040	BULK
PART NO.	PACKAGING

PS-89675-1030	PRODUCT SPECIFICATION
SPECIFICATION	DESCRIPTION

ORIGINALLY DRAWING BY WILSON 1996/03/01

CHG: ADD 73171-4310 EC NO: URF2012-0419 DRW: BOMALLEY 2012/01/17 CHK: AZR 2012/01/17 APPR: JWIENER 2012/01/24	QUALITY SYMBOLS ▽=0 ▽=0	GENERAL TOLERANCES (UNLESS SPECIFIED)	DIMENSION STYLE MM/IN	SCALE METRIC	DESIGN UNITS METRIC	THIRD ANGLE PROJECTION	
		4 PLACES ± --- ± --- 3 PLACES ± --- ± --- 2 PLACES ± --- ± --- 1 PLACE ± --- ± --- ANGULAR ± 2 °	DRAWN BY AROBERTSON 2011/07/29	DATE 2011/07/29	TITLE BNC JACK, R/A PCB 75 OHM BOARD LOCKS BNC-J/PCB, EWR-1149	MOLEX INCORPORATED	SHEET NO. 1 OF 1
		DRAFT WHERE APPLICABLE MUST REMAIN WITHIN DIMENSIONS	APPROVED BY JWIENER 2011/07/29	DATE 2011/07/29	MOLEX INCORPORATED	DOCUMENT NO. SD-73101-0040	THIS DRAWING CONTAINS INFORMATION THAT IS PROPRIETARY TO MOLEX INCORPORATED AND SHOULD NOT BE USED WITHOUT WRITTEN PERMISSION