



Chipsmall Limited consists of a professional team with an average of over 10 year of expertise in the distribution of electronic components. Based in Hongkong, we have already established firm and mutual-benefit business relationships with customers from,Europe,America and south Asia,supplying obsolete and hard-to-find components to meet their specific needs.

With the principle of “Quality Parts,Customers Priority,Honest Operation,and Considerate Service”,our business mainly focus on the distribution of electronic components. Line cards we deal with include Microchip,ALPS,ROHM,Xilinx,Pulse,ON,Everlight and Freescale. Main products comprise IC,Modules,Potentiometer,IC Socket,Relay,Connector.Our parts cover such applications as commercial,industrial, and automotives areas.

We are looking forward to setting up business relationship with you and hope to provide you with the best service and solution. Let us make a better world for our industry!



## Contact us

Tel: +86-755-8981 8866 Fax: +86-755-8427 6832

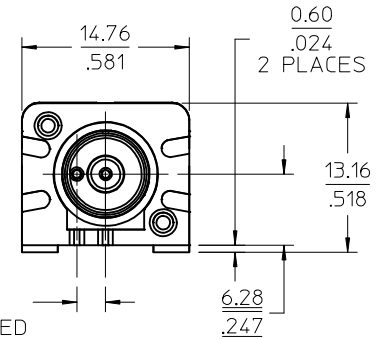
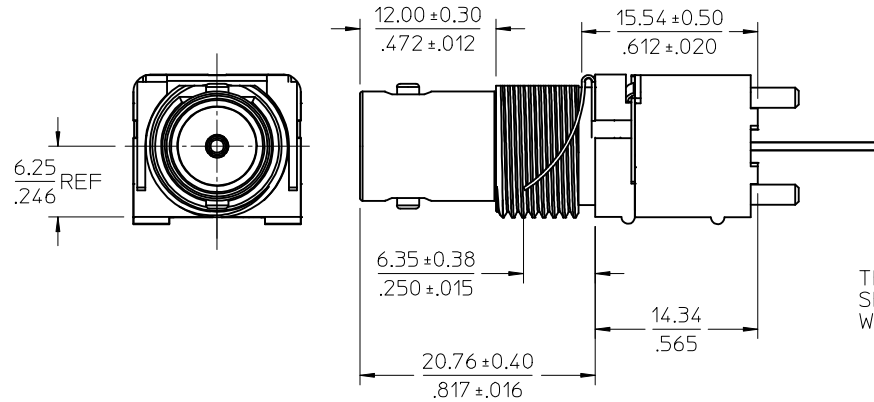
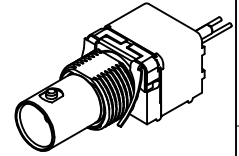
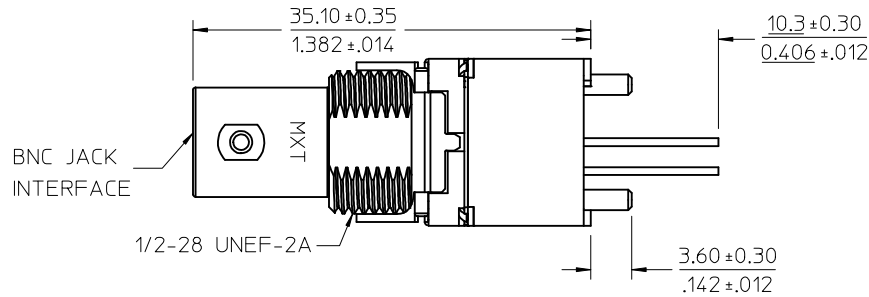
Email & Skype: info@chipsmall.com Web: www.chipsmall.com

Address: A1208, Overseas Decoration Building, #122 Zhenhua RD., Futian, Shenzhen, China

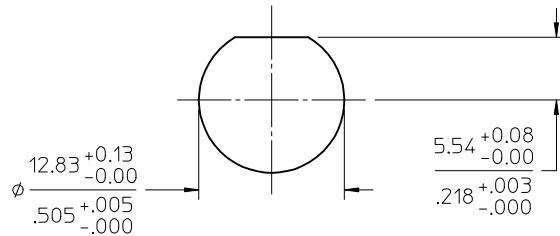
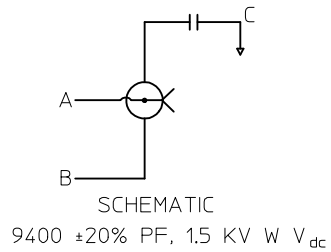


MATERIALS AND FINISHES

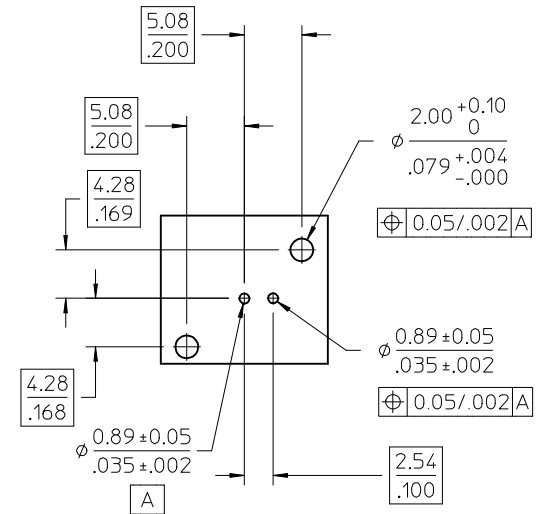
- BODY ZINC ALLOY  
PLATED NICKEL
- CENTER CONTACT PHOSPHOR BRONZE  
PLATED GOLD
- INSULATOR POLYPROPYLENE (94 V-2)
- HOUSING VALOX 420-SEO  
COLOR BLACK
- SOLDER TAIL COPPER OVER STEEL WIRE  
PLATED TIN
- FRONT CLIP PHOSPHOR BRONZE  
PLATED NICKEL
- CHIP CAPACITOR MULTILAYER CERAMIC
- MOUNTING POSTS: BRASS  
PLATED TIN



THIS DIMENSION SHOULD BE INSPECTED WITH GO-NO GO GAGE



RECOMMENDED MOUNTING HOLE  
RECOMMENDED MOUNTING TORQUE:  
0.56 N-m (5.00 IN-LBS)  
PANEL THICKNESS: 5.5 (.217) MAX



RECOMMENDED PCB HOLE

ES-73599-0000	INTERFACE
PS-73598-0010	ELECTRO/MECH PERFORM.
SPECIFICATION	DESCRIPTION

CHG: REDREW IN SD 5.08 WAS 4.28 EC NO: URF-2009-0740 DRW: DRWINSSHAH 2009/06/24 CHKD: AROBERTSON 2009/06/24 APPR: JWENER 2009/06/24	QUALITY SYMBOLS ▽=0 ▽=0	GENERAL TOLERANCES (UNLESS SPECIFIED) mm INCH 4 PLACES ± --- ± --- 3 PLACES ± --- ± --- 2 PLACES ± --- ± --- 1 PLACE ± --- ± --- ANGULAR ± 2°	DIMENSION STYLE MM/IN DRAWN BY DATE IRIS 1996/06/26 CHECKED BY DATE JACK 1996/08/15 APPROVED BY DATE	SCALE DESIGN UNITS METRIC THIRD ANGLE PROJECTION	TITLE BNC JACK, VERTICAL, PCB 75 OHMS, FILTER BNC-J/PCB/BK	MATERIAL NO. SEE TABLE SIZE C	MOLEX INCORPORATED DOCUMENT NO. SD-73101-0071	SHEET NO. 1 OF 1