



Chipsmall Limited consists of a professional team with an average of over 10 year of expertise in the distribution of electronic components. Based in Hongkong, we have already established firm and mutual-benefit business relationships with customers from,Europe,America and south Asia,supplying obsolete and hard-to-find components to meet their specific needs.

With the principle of "Quality Parts,Customers Priority,Honest Operation,and Considerate Service",our business mainly focus on the distribution of electronic components. Line cards we deal with include Microchip,ALPS,ROHM,Xilinx,Pulse,ON,Everlight and Freescale. Main products comprise IC,Modules,Potentiometer,IC Socket,Relay,Connector.Our parts cover such applications as commercial,industrial, and automotives areas.

We are looking forward to setting up business relationship with you and hope to provide you with the best service and solution. Let us make a better world for our industry!



Contact us

Tel: +86-755-8981 8866 Fax: +86-755-8427 6832

Email & Skype: info@chipsmall.com Web: www.chipsmall.com

Address: A1208, Overseas Decoration Building, #122 Zhenhua RD., Futian, Shenzhen, China



MATERIALS AND FINISHES

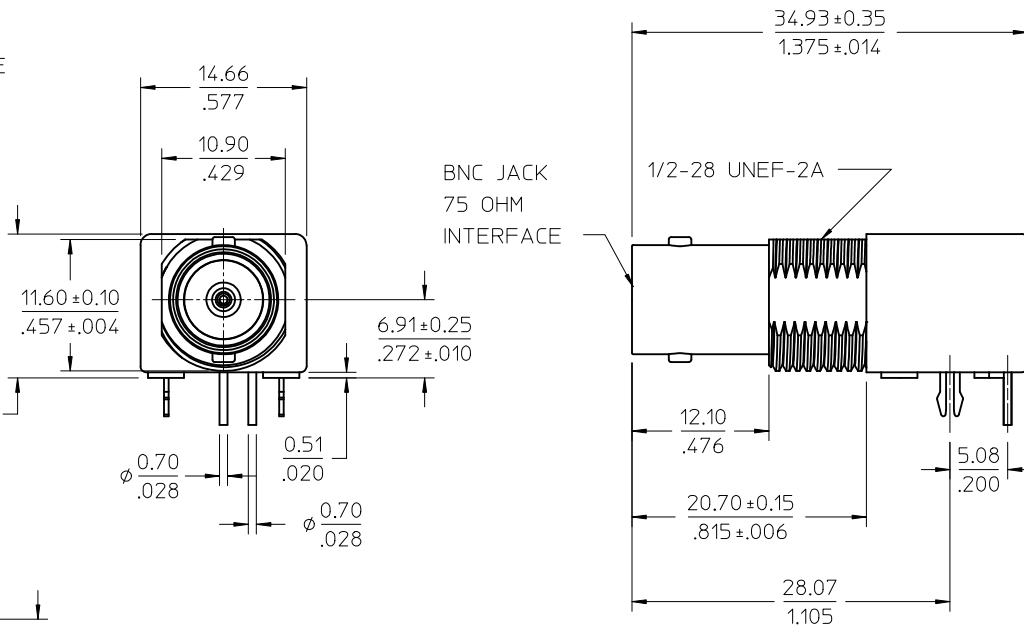
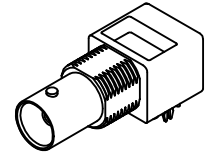
BODY ZINC ALLOY
PLATED NICKEL

CENTER CONTACT PHOSPHOR BRONZE
PLATED GOLD

INSULATOR POLYPROPYLENE(94V2)

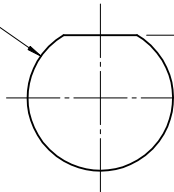
BOARD LOCK PHOSPHOR BRONZE
PLATED TIN

SOLDER TAIL COPPER OVER STEEL
PLATED TIN



BNC JACK
75 OHM
INTERFACE

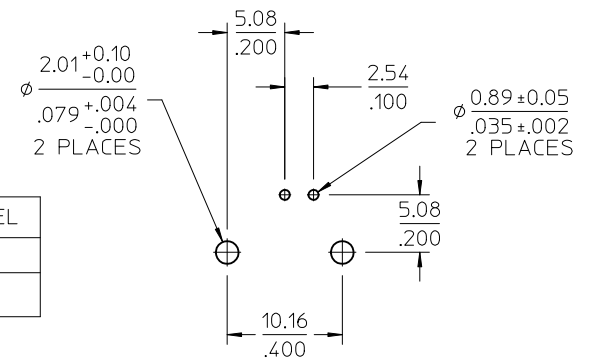
12.83 +0.13
-0.00
∅ .505 +.005
-.000



5.54 +0.08
-0.00
.218 +.003
-.000

RECOMMENDED MOUNTING HOLE
PANEL THICKNESS: 5.40(.216) MAX
RECOMMENDED MOUNTING TORQUE:
1.36 N-m(12 INCH LBS) MAX

73171-4330	QTY (1) OF 73101-0120 IN SINGLE BAG WITH LABEL
73101-0120	BULK
PART NO.	PACKAGING



NOTE:
LEADS MAY NEED TO BE
ADJUSTED TO FIT PCB

RECOMMENDED PCB LAYOUT

PART # 73101-0120

PS-89675-1030	PRODUCT SPECIFICATION
SPECIFICATION	DESCRIPTION

CHG: ADD 73171-4330 EC NO: DRWINBOMALLEY 2012/01/17 CHKD:AZR 2012/01/17 APPR: JWIENER 2012/01/24 REV: B4	QUALITY SYMBOLS ▽=0 ▽=0	GENERAL TOLERANCES (UNLESS SPECIFIED) mm INCH 4 PLACES ± --- ± --- 3 PLACES ± --- ± --- 2 PLACES ± --- ± --- 1 PLACE ± --- ± --- ANGULAR ± ---°	DIMENSION STYLE MM/IN	SCALE	DESIGN UNITS METRIC	THIRD ANGLE PROJECTION
			DRAWN BY LYNN LIN	DATE 1996/07/12	TITLE BNC JAC R/A PCB 75 OHMS DIE CAST BNC-J/RA/PCB EWR-2677	MATERIAL NO. 731010120
DRAFT WHERE APPLICABLE MUST REMAIN WITHIN DIMENSIONS		THIS DRAWING CONTAINS INFORMATION THAT IS PROPRIETARY TO MOLEX INCORPORATED AND SHOULD NOT BE USED WITHOUT WRITTEN PERMISSION				