



Chipsmall Limited consists of a professional team with an average of over 10 year of expertise in the distribution of electronic components. Based in Hongkong, we have already established firm and mutual-benefit business relationships with customers from,Europe,America and south Asia,supplying obsolete and hard-to-find components to meet their specific needs.

With the principle of “Quality Parts,Customers Priority,Honest Operation,and Considerate Service”,our business mainly focus on the distribution of electronic components. Line cards we deal with include Microchip,ALPS,ROHM,Xilinx,Pulse,ON,Everlight and Freescale. Main products comprise IC,Modules,Potentiometer,IC Socket,Relay,Connector.Our parts cover such applications as commercial,industrial, and automotives areas.

We are looking forward to setting up business relationship with you and hope to provide you with the best service and solution. Let us make a better world for our industry!



Contact us

Tel: +86-755-8981 8866 Fax: +86-755-8427 6832

Email & Skype: info@chipsmall.com Web: www.chipsmall.com

Address: A1208, Overseas Decoration Building, #122 Zhenhua RD., Futian, Shenzhen, China



MATERIALS AND FINISHES

BODY ZINC ALLOY
PLATED NICKEL

CENTER CONTACT PHOSPHOR BRONZE
PLATED GOLD

INSULATOR POLYPROYLENE (94V0)

BOARD LOCK PHOSPHOR BRONZE
PLATED TIN

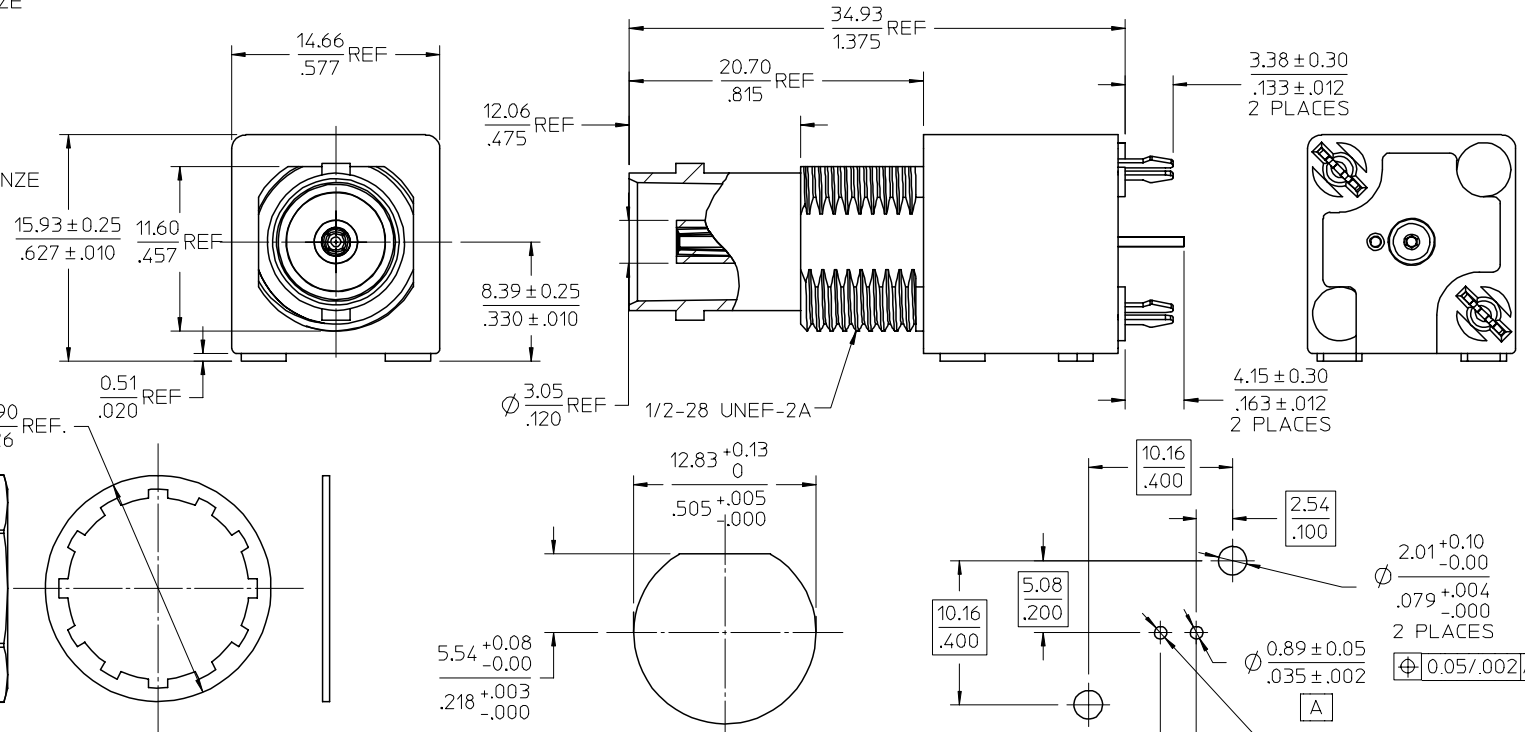
SOLDER TAIL COPPER
PLATED TIN

LOCK WASHER PHOSPHOR BRONZE
PLATED NICKEL

NUT BRASS
PLATED NICKEL

BNC JACK
75 OHMS
INTERFACE

LEADS ARE TO BE
ADJUSTED TO FIT
PCB PATTERN



RECOMMENDED MOUNTING HOLE
MAXIMUM PANEL THICKNESS 5.40(.213)
RECOMMENDED MOUNTING TORQUE:
1.36 N-m(12 INCH-LBS)

RECOMMENDED PCB HOLE
CONFIGURATION

PS-73598-0051	PRODUCT SPECIFICATION
SPECIFICATION	DESCRIPTION

LOAD W/M A1	REV	DESCRIPTION	QUALITY SYMBOLS	GENERAL TOLERANCES (UNLESS SPECIFIED)	DIMENSION STYLE		SCALE	DESIGN UNITS	THIRD ANGLE PROJECTION
					MM/IN	MM/IN			
FC NO: URF2007-0419	2007/05/08	DRW:WJL	2007/05/09	4 PLACES ± .005	± .005	DRAWN BY	DATE	BNC JACK, VERTICAL PCB, DIE CAST, 75 OHMS WITH WASHER, NUT BNC-J/PCB	MOLEX INCORPORATED
CHKD: APPR: MHIANG	2007/05/09	EVITA	2007/04/20	3 PLACES ± .005	± .005	CHECKED BY	DATE		
		RENEE	2007/04/20	2 PLACES ± .005	± .005	APPROVED BY	DATE		
		MISEN	2007/04/20	1 PLACE ± .005	± .005	MATERIAL NO.	DOCUMENT NO.		
				ANGULAR ± 2°		731010190	SD-73101-019	SHEET NO.	1 OF 1
DRAFT WHERE APPLICABLE MUST REMAIN WITHIN DIMENSIONS					THIS DRAWING CONTAINS INFORMATION THAT IS PROPRIETARY TO MOLEX INCORPORATED AND SHOULD NOT BE USED WITHOUT WRITTEN PERMISSION				