



Chipsmall Limited consists of a professional team with an average of over 10 year of expertise in the distribution of electronic components. Based in Hongkong, we have already established firm and mutual-benefit business relationships with customers from,Europe,America and south Asia,supplying obsolete and hard-to-find components to meet their specific needs.

With the principle of “Quality Parts,Customers Priority,Honest Operation,and Considerate Service”,our business mainly focus on the distribution of electronic components. Line cards we deal with include Microchip,ALPS,ROHM,Xilinx,Pulse,ON,Everlight and Freescale. Main products comprise IC,Modules,Potentiometer,IC Socket,Relay,Connector.Our parts cover such applications as commercial,industrial, and automotives areas.

We are looking forward to setting up business relationship with you and hope to provide you with the best service and solution. Let us make a better world for our industry!



Contact us

Tel: +86-755-8981 8866 Fax: +86-755-8427 6832

Email & Skype: info@chipsmall.com Web: www.chipsmall.com

Address: A1208, Overseas Decoration Building, #122 Zhenhua RD., Futian, Shenzhen, China



13 12 11 10 9 8 7 6 5 4 3 2 1

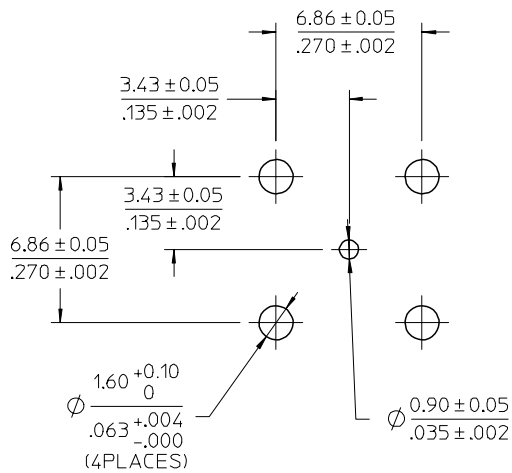
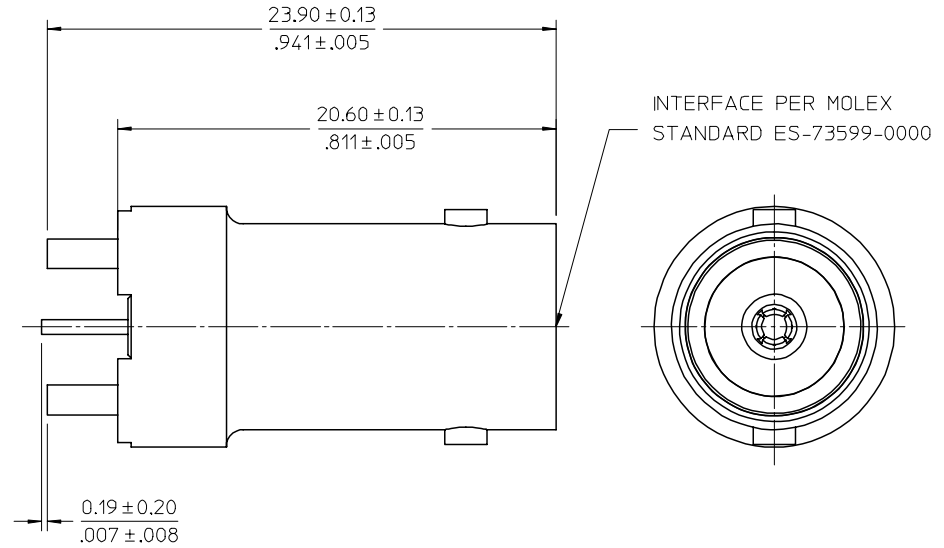
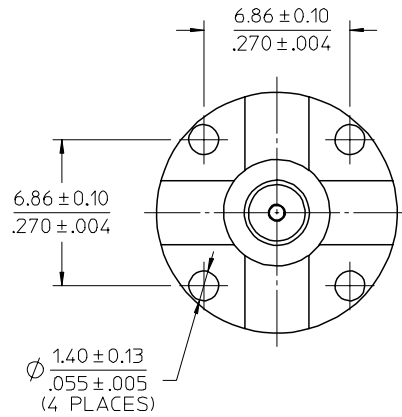
J J

MATERIALS AND FINISHES

BODY ZINC ALLOY
PLATED NICKEL 70u" MIN

CENTER CONTACT
PHOSPHOR BRONZE
PLATED GOLD 30u" MIN

INSULATOR TEFLON



PCB HOLE CONFIGURATION

LOAD TO WM EC NO: URF2008-0099 DRAWN/CLL CHKD: APPR:MHUANG REV: C1	DESCRIPTION 2007/08/17 2007/08/17 2007/08/17	QUALITY SYMBOLS	GENERAL TOLERANCES (UNLESS SPECIFIED)	DIMENSION STYLE	SCALE	DESIGN UNITS	THIRD ANGLE PROJECTION
		$\nabla=0$ $\nabla=0$	mm INCH	MM/IN	METRIC		
		4 PLACES ± --- ± --- 3 PLACES ± --- ± --- 2 PLACES ± --- ± --- 1 PLACE ± --- ± ---	DRAWN BY CLL I CHECKED BY BETTY APPROVED BY MISEN	DATE 05/07/02 DATE 05/07/02 DATE 05/07/02	TITLE BNC JACK VERTICAL PCB 75 OHM BNC-J/PCB		
		ANGULAR ± 2 °	MATERIAL NO. 73101-0360 SIZE C	DOCUMENT NO. SD-73101-036	SHEET NO. 1 OF 1		

DRAFT WHERE APPLICABLE
MUST REMAIN
WITHIN DIMENSIONS

THIS DRAWING CONTAINS INFORMATION THAT IS PROPRIETARY TO MOLEX
INCORPORATED AND SHOULD NOT BE USED WITHOUT WRITTEN PERMISSION

ib_frame_C_P_AM_T Rev. E 2006/04/15 12 11 10 9 8 7 6 5 4 3 2 1 A