



Chipsmall Limited consists of a professional team with an average of over 10 year of expertise in the distribution of electronic components. Based in Hongkong, we have already established firm and mutual-benefit business relationships with customers from,Europe,America and south Asia,supplying obsolete and hard-to-find components to meet their specific needs.

With the principle of “Quality Parts,Customers Priority,Honest Operation,and Considerate Service”,our business mainly focus on the distribution of electronic components. Line cards we deal with include Microchip,ALPS,ROHM,Xilinx,Pulse,ON,Everlight and Freescale. Main products comprise IC,Modules,Potentiometer,IC Socket,Relay,Connector.Our parts cover such applications as commercial,industrial, and automotives areas.

We are looking forward to setting up business relationship with you and hope to provide you with the best service and solution. Let us make a better world for our industry!



## Contact us

Tel: +86-755-8981 8866 Fax: +86-755-8427 6832

Email & Skype: info@chipsmall.com Web: www.chipsmall.com

Address: A1208, Overseas Decoration Building, #122 Zhenhua RD., Futian, Shenzhen, China



MATERIALS AND FINISHES

BODY ZINC ALLOY  
PLATED NICKEL

CENTER CONTACT PHOSPHOR BRONZE  
PLATED GOLD

INSULATOR POLYPROPYLENE (94-V0)

MOUNTING POST PHOSPHOR BRONZE  
PLATED TIN

SOLDER TAIL COPPER OVER STEEL  
PLATED TIN

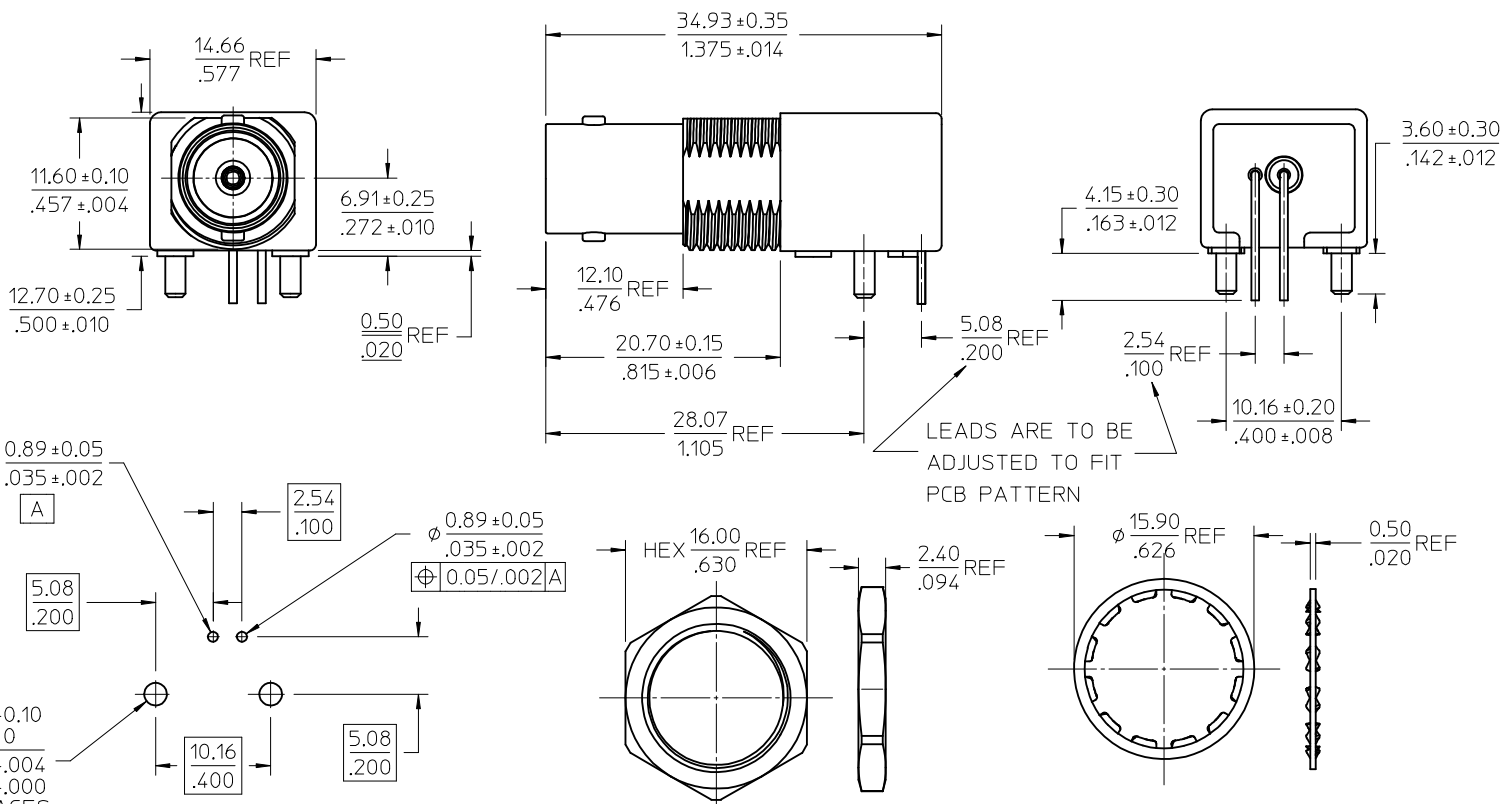
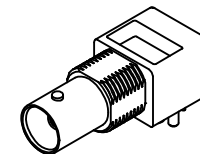
JAM NUT BRASS  
PLATED NICKEL

LOCK WASHER PHOSPHOR BRONZE  
PLATED NICKEL

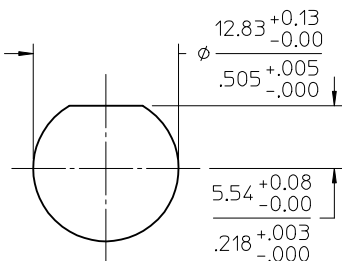
BNC JACK  
75 OHM  
INTERFACE

1/2-28 UNEF-2A

TOP VIEW



LEADS ARE TO BE ADJUSTED TO FIT PCB PATTERN



RECOMMENDED MOUNTING HOLE  
PANEL THICKNESS: 5.50 (.216) MAX  
RECOMMENED MOUNTING TORQUE:  
1.36 N-m (12 INCH LBS) MAX

φ 0.05 / .002 A RECOMMENDED PCB HOLE CONFIGURATION

PS-89675-1030	PRODUCT SPECIFICATION
SPECIFICATION	DESCRIPTION

73171-4340	QTY (1) OF 73101-0400 IN SINGLE BAG WITH LABEL
73101-0401	WITH JAM NUT AND WASHER; PACKAGING BY TRAY
73101-0400	WITHOUT JAM NUT AND WASHER; PACKAGING BY TRAY
PART NO.	DESCRIPTION

CHG: PCB LAYOUT PER RF15-E391 EC NO: URF2016-0379 DRWN: CME102 2015/11/12 CHKD: APPR: YCHENG 2015/11/25	QUALITY SYMBOLS ▽=0 ▽=0 ▽=0	REV A5	DESCRIPTION	GENERAL TOLERANCES (UNLESS SPECIFIED)		DIMENSION STYLE MM/IN		SCALE	DESIGN UNITS METRIC	THIRD ANGLE PROJECTION
				4 PLACES ±	3 PLACES ±	2 PLACES ±	1 PLACE ±	0 PLACE ±	mm	INCH
DRAFT WHERE APPLICABLE MUST REMAIN WITHIN DIMENSIONS				ANGULAR ±	SEE TABLE	MATERIAL NO.		DOCUMENT NO.	SHEET NO. 1 OF 1	

DRAWN BY MICHAEL		DATE 2007/06/07		CHECKED BY KERRIE		DATE 2007/06/07		APPROVED BY MISEN		DATE 2007/06/07	
THIS DRAWING CONTAINS INFORMATION THAT IS PROPRIETARY TO MOLEX INCORPORATED AND SHOULD NOT BE USED WITHOUT WRITTEN PERMISSION				MATERIAL NO.		DOCUMENT NO.		SHEET NO.		1 OF 1	