



Chipsmall Limited consists of a professional team with an average of over 10 year of expertise in the distribution of electronic components. Based in Hongkong, we have already established firm and mutual-benefit business relationships with customers from,Europe,America and south Asia,supplying obsolete and hard-to-find components to meet their specific needs.

With the principle of “Quality Parts,Customers Priority,Honest Operation,and Considerate Service”,our business mainly focus on the distribution of electronic components. Line cards we deal with include Microchip,ALPS,ROHM,Xilinx,Pulse,ON,Everlight and Freescale. Main products comprise IC,Modules,Potentiometer,IC Socket,Relay,Connector.Our parts cover such applications as commercial,industrial, and automotives areas.

We are looking forward to setting up business relationship with you and hope to provide you with the best service and solution. Let us make a better world for our industry!



Contact us

Tel: +86-755-8981 8866 Fax: +86-755-8427 6832

Email & Skype: info@chipsmall.com Web: www.chipsmall.com

Address: A1208, Overseas Decoration Building, #122 Zhenhua RD., Futian, Shenzhen, China



MATERIALS AND FINISHES

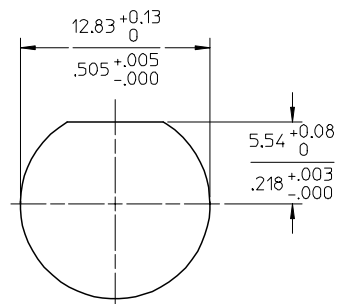
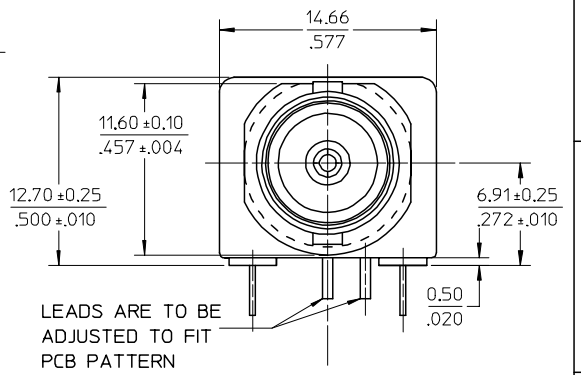
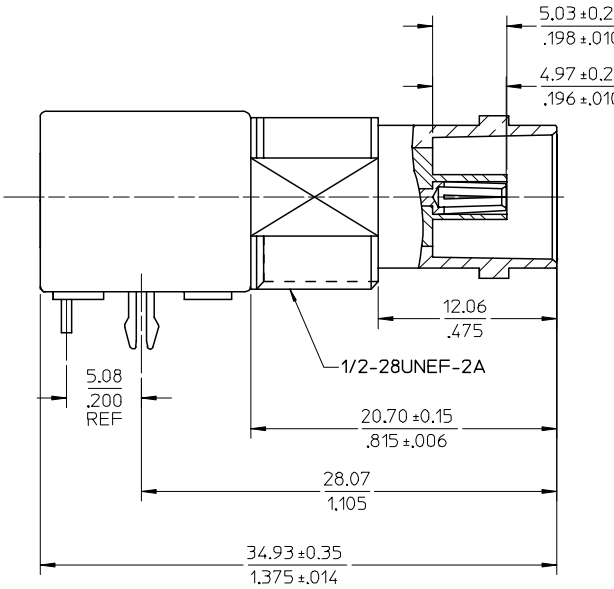
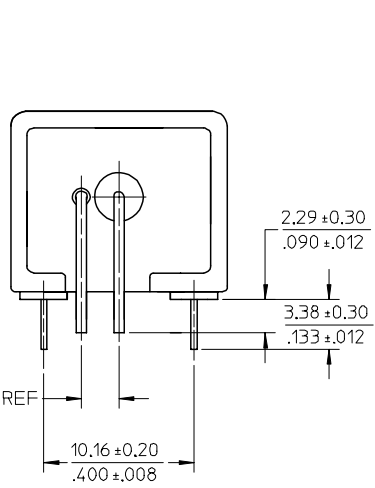
BODY ZINC ALLO
NICKEL PLATED 70 MICROINCHES MIN

CENTER CONTACT PHOSPHOR BRONZE
GOLD PLATED 10 MICROINCHES MIN

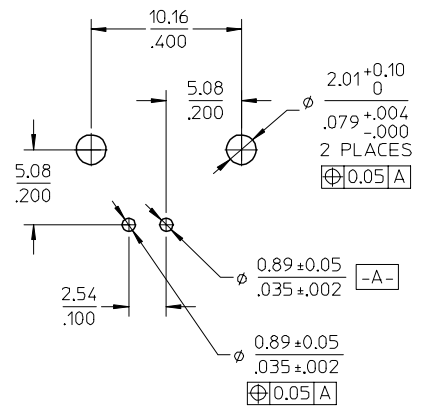
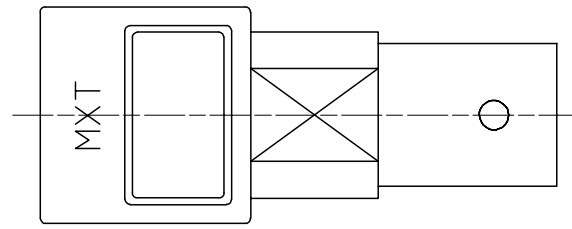
INSULATOR
POLYPROPYLENE (94V2)

BOARD LOCK PHOSPHOR BRONZE
TIN PLATED 200 MICROINCHES MIN

SOLDER TAIL COPPER OVER STEEL
TIN PLATED 200 MICROINCHES MIN



RECOMMENDED MOUNTING HOLE
MAXIMUM PANEL THICKNESS: 5.40mm
RECOMMENDED MOUNTING TORQUE:
12 INCH-POUNDS MAX.



RECOMMENDED PCB HOLE CONFIGURATION

PART # 73101-0570

PS-73598-0051	PRODUCT SPECIFICATION
SPECIFICATION	DESCRIPTION

ENTER DESCRIPTION	2004/10/05
EC NO: URF2005-0098	2004/10/06
DRWN:CLLI	2004/10/06
CHKD:	2004/10/06
APPR:MIUANG	2004/10/06
REV	DESCRIPTION
A	

QUALITY SYMBOLS
▽=0
▽C=0

GENERAL TOLERANCES (UNLESS SPECIFIED)
4 PLACES ± --- ± ---
3 PLACES ± --- ± ---
2 PLACES ± 0.13 ± ---
1 PLACE ± 0.25 ± ---
ANGULAR ± 2 °
DRAFT WHERE APPLICABLE MUST REMAIN WITHIN DIMENSIONS

DIMENSION STYLE	MM/IN
DRAWN BY	DATE
CLLI	2004/06/30
CHECKED BY	DATE
PENNY	2004/06/30
APPROVED BY	DATE
MISEN	2004/06/30
MATERIAL NO.	73101-0570

SCALE	1:1
DESIGN UNITS	METRIC
THIRD ANGLE PROJECTION	
TITLE	75 OHM BNC R/A PCB (DIE CAST) BNC-J/PCB BNC-PCB/RA/BK
MOLEX INCORPORATED	
DOCUMENT NO.	SD-73101-057
SHEET NO.	1 OF 1
THIS DRAWING CONTAINS INFORMATION THAT IS PROPRIETARY TO MOLEX INCORPORATED AND SHOULD NOT BE USED WITHOUT WRITTEN PERMISSION	